



# ICE CUBE MACHINE



Item: 271575

You should read this user manual carefully before using the appliance.

Bevor Sie das Gerät in Betrieb nehmen, sollten Sie diese Gebrauchsanweisung aufmerksam lesen.

Alvorens de apparatuur in gebruik te nemen dient u deze gebruiksaanwijzing aandachtig te lezen.

Przed uruchomieniem urządzenia należy koniecznie dokładnie przeczytać niniejszą instrukcję obsługi.

Lisez attentivement ce mode d'emploi avant d'utiliser l'appareil .

Prima di utilizzare l'apparecchio in funzione leggere attentamente le istruzioni per l'uso.

Citiți cu atenție prezentul manual de utilizare înainte de folosirea aparatului.

Внимательно прочитайте руководство пользователя перед использованием прибора.

Πρέπει να διαβάσετε αυτές τις οδηγίες χρήσης προσεκτικά πριν χρησιμοποιήσετε τη συσκευή.

Před uvedením spotřebiče do provozu byste si měli pečlivě přečíst návod k použití.



Keep these instructions with the appliance.  
Diese Gebrauchsanweisung bitte beim Gerät aufbewahren.  
Bewaar deze handleiding bij het apparaat.  
Zachowaj instrukcję urządzenia  
Gardez ces instructions avec cet appareil.  
Conservate le istruzioni insieme all'apparecchio.  
Pástrajte maualul de utilizare alături de aparat.  
Хранить руководство вместе с устройством.  
Φυλάξτε αυτές τις οδηγίες μαζί με τη συσκευή.  
Tuto pokyny uschovejte u přístroje.



For indoor use only.  
Nur zur Verwendung im Innenbereich.  
Alleen voor gebruik binnenshuis.  
Do użytku wewnątrz pomieszczeń.  
Pour l'usage à l'intérieur seulement.  
Destinato solo all'uso domestico.  
Doar pentru uz la interior.  
Использовать только в помещениях.  
Για χρήση μόνο σε εσωτερικό χώρο.  
Pouze pro vnitřní použití.




Dear Customer,

Thank you for purchasing this Arctic appliance. Read this manual carefully, paying particular attention to the safety regulations outlined below, before installing and using this appliance for the first time.

---

## Safety regulations

- This appliance is intended for buffet and household use.
- Only use the appliance for the intended purpose it was designed for as described in this manual.
- The manufacturer is not liable for any damage caused by incorrect operation and improper use.
- Keep the appliance and electrical plug away from water and other liquids. In the event the appliance falls into water, immediately remove the power plug from the socket. Do not use the appliance until it has been checked by a certified technician. Failure to follow these instructions will cause life threatening risks.
- Never attempt to open the housing of the appliance by yourself.
- Do not insert objects into the housing of the appliance.
- Do not touch the plug with wet or damp hands.
-  **DANGER OF ELECTRIC SHOCK!** Do not attempt to repair the appliance by yourself, repairs are only to be conducted by qualified personnel.
- **Never use a damaged appliance!** When it's damaged, disconnect the appliance from the socket and contact the retailer.
- **WARNING!** Do not immerse the electrical parts of the appliance in water or other liquids.
- Never hold the appliance under running water.
- Regularly check the power plug and cord for any damage. When damaged it must be replaced by a service agent or similarly qualified person in order to avoid danger or injury.
- Make sure the cord does not come in contact with sharp or hot objects and keep it away from open fire. Never pull the power cord to unplug it from the socket, always pull the plug instead.
- Make sure that the power cord and/or extension cord do not cause a trip hazard.
- Never leave the appliance unattended during use.
- **WARNING!** As long as the plug is in the socket the appliance is connected to the power source.
- Turn off the appliance before unplugging it from the socket.
- Connect the power plug to an easily accessible electrical socket so that in case of emergency the appliance can be unplugged immediately.
- Never carry the appliance by the cord.
- Do not use any extra devices that are not supplied together with the appliance.
- Only connect the appliance to an electrical outlet with the voltage and frequency mentioned on the appliance label.
- Never use accessories other than those recommended by the manufacturer. Failure to do so could pose a safety risk to the user and could damage the appliance. Only use original parts and accessories.

EN

- This appliance should not be operated by persons with reduced physical, sensory or mental capabilities, or persons that have a lack of experience and knowledge.
- This appliance should, under any circumstances, not be used by children.
- Keep the appliance and its power cord out of reach of children.
- **WARNING:** ALWAYS switch off the appliance and unplug from power socket before cleaning, maintenance or storage.

---


## Special Safety Regulations

- This appliance is intended to be used in household and similar applications such as
  - 1) Staff kitchen areas in shops, offices and other working environments;
  - 2) Farm houses and by clients in hotels, motels and other residential type environment;
  - 3) Bed and breakfast type environments;
  - 4) Catering and similar non-retail applications.
- This appliance should be operated by trained personnel in kitchen of the restaurant, canteens or bar staff, etc.



**CAUTION! Hot surface!** The surface is hot when in use.

Touch the control panel only.

-  **CAUTION! Risk of fire!** The refrigerant used is R290 in this appliance. It is a highly flammable refrigerant. The foam blowing agent used is Cyclopentane in this appliance. They are highly flammable.

EN

- Do not place the appliance on a heating object (gasoline, electric, charcoal cooker, etc.) Keep the appliance away from any hot surfaces and open flames. Always operate the appliance on a level, stable, clean, heat-resistant and dry surface.
- This appliance is not intended to be operated by means of an external timer or separate remote-control system.
- **WARNING:** Keep all ventilation openings in the appliance enclosure clear of obstruction.
- **WARNING:** Do not use mechanical devices or other means to accelerate the defrosting process, other than those recommended by the manufacturer.
- **WARNING:** Do not damage the refrigerant circuit.
- **WARNING:** Connect to potable water supply only.
- Do not store explosive substances such as aerosol cans with a flammable propellant in this appliance.
- Allow at least 20 cm spacing around the appliance for ventilation purpose during use.
- Do not use hard utensils to hit the outer surface. Do not use water jet, flush directly with water or steam cleaner as the parts will get wet and electric shock might be resulted.
- Do not expose it to direct sunlight. Avoid mechanical shocks and vibrations.
- Always move or transport the appliance in an upright position or it may damage the appliance.
- **CAUTION!** Securely route the power cord if necessary in order to prevent unintentional pulling or contact with the heating surface.
- Do not clean or store the appliance unless it is completely cooled down.

- No any parts are dishwasher safe.

### **IMPORTANT:**

The wires in this mains lead are colored in accordance with the following code:

Green and yellow:	Earth
Blue:	Neutral
Brown:	Live

As the color of the wires in the mains lead of the appliance may not correspond with the colored markings identifying the terminal in your plug, proceed as follows:

The wire which is colored green-and-yellow must be connected to the terminal in the plug which is marked with the letter E, G or by symbol or colored green or green-and-yellow.

The wire which is colored blue must be connected to the terminal which is marked with the letter N.

The wire which is colored brown must be connected to the terminal which is marked with letter L.

**NOTE:** Created ice cubes are joined together and still need to be broken apart before use.

---

#### **Intended use**

- This appliance is intended for buffet and household use.
- The appliance is designed only for making ice cubes. Any other use may lead to damage to the appliance or personal injury.
- Operating the appliance for any other purpose shall be deemed as misuse of the device. The user shall be solely liable for the improper use of the device.

---

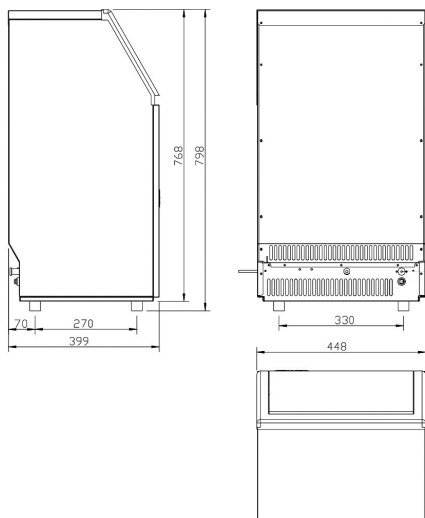
#### **Grounding installation**

This appliance is classified as **protection class I** and must be connected to a protective ground. Grounding reduces the risk of electric shock by providing an escape wire for the electric current.

This appliance is fitted with a power cord that has a grounding wire and grounded plug. The plug must be plugged into an outlet that is properly installed and grounded.

## Technical Specifications

### 1) Dimensions/ Connections



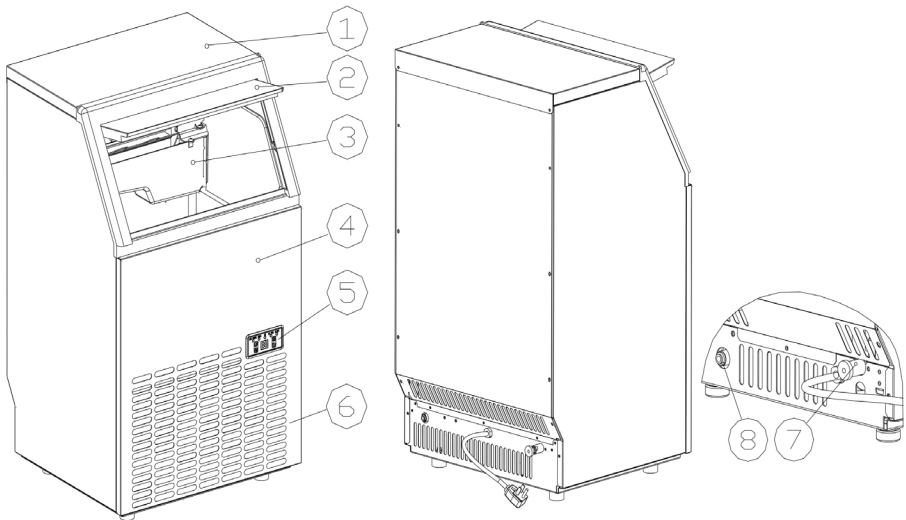
### 2) Rating

<b>Item no.</b>	<b>271575</b>	
Operating voltage and frequency	220-240V~ /50Hz	
Rated current	2,2A	
Rated input power	280W	
Refrigerant used & injection quantity	R290 / 95g	
Climate class	SN-T	
Foam blowing agent	Cyclopentane	
Protection class	Class I	
Running conditions	Room temp Water supply temp Water supply pressure	10°C ~ 38°C 5°C ~ 35°C 0,04 ~ 0,6 MPa
Net weight (approx.)	27kg	
Dimension	448x400x(H)798mm	

**Remark: Technical specification is subjected to change without prior notification.**

## General information

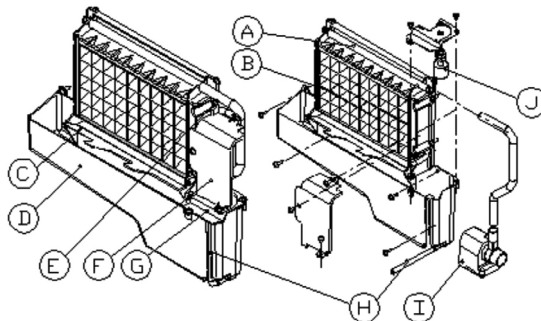
### 1) Main Unit Construction



1. Top cover
2. Door
3. Ice-making & water tank assembly
4. Front panel
5. Operation panel
6. Air outlet: Must keep the air circulate smoothly, hot air will blow out when unit running.

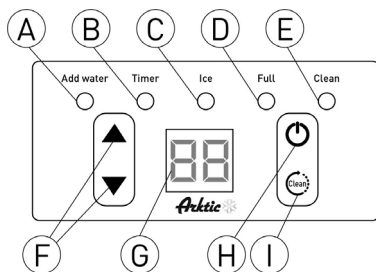
7. Water draining port.
8. Water inlet port for water supply.

Accessory: White 2 meters long water drain pipe, connector for the water faucet, white 3 meter long water supply pipe( $\varnothing$  6.35mm).



- A. Water dividing pipe: with nine little holes, water will flow out from these little holes.
- B. Evaporator (ice-making module)
- C. Ice full detecting board.
- D. Water tank.
- E. Water supplying pipe.
- F. Cover board on the right side of the evaporator.
- G. Water level switch installing plate.
- H. Water drain pipe of the water tank.
- I. Water pump.
- J. Water level detecting switch.

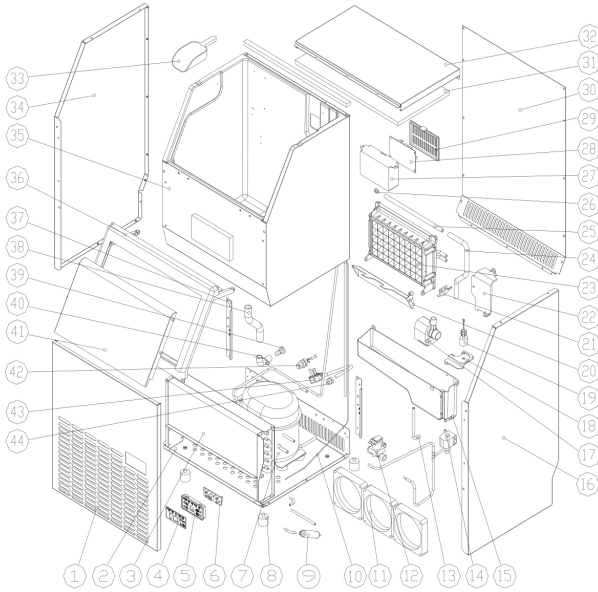
## 2) Operation panel



- A. "Add water" light: When the light flashes, it means the water is supplied to slow; and when the light is on always, it means absence of water in unit.
- B. "Timer" light: When this light is on, it means the TIMER is set. Timer can be set on or off with the clean/timer button.
- C. "Ice" light: If the light is on, means the unit is making ice; And if the light flashes, means the unit is during the ice-harvest process.
- D. "Full" light: When the unit is full of the ice cube, the light will be on.
- E. "Clean" light: When this light is on, water pump cleaning start. When the light flashes, water pump cleaning stop.
- F. ▲ & ▼ button: Use to adjust the ice-making process duration period length, the default setting is zero, 1 minute adding or decreasing per each pressing of ▲ or ▼ button. Also to adjust the delay time of the timer, the default setting is zero, 1 hour adding or decreasing per each pressing of ▲ or ▼ button.
- G. LED Display: At normal condition, the number in the window is always on, it displays the ambient temperature; And if the number flashes, it will display the time left in minutes of each process, like ice-making cycle, self-cleaning program, etc.
- H. "On/Off" button: When the unit is off, press this button to turn on the unit; And during the Self-cleaning program, or normal ice-making state, press this button to turn off the unit at once; And also if the unit is set with the Timer, press this button to cancel the Timer setting. When the unit is making the ice cube, press this button for more than 5 seconds, the unit will switch to ice harvest process by force.
- I. "Timer clean" button: Quickly press this button once, to enter the Timer setting program; And press this button for more than 5 seconds when the machine is off, to enter the Cleaning program.



## Part list



No.	Parts Name	Qty.	Notes	No.	Parts Name	Qty.	Notes
1	Front panel	1		23	Evaporator and its frame	1	
2	Bottom plate	1		24	Water supplying pipe	1	
3	Condenser	1		25	Water dividing pipe, with nine holes	1	
4	Operation panel paper	1		26	Cap of the water dividing pipe	1	
5	Operation panel PCB box	1		27	Electrical PCB box	1	
6	Operation panel PCB	1		28	Main control PCB	1	
7	Compressor	1		29	Cover of the main control PCB	1	
8	Adjustable foot	4		30	Rear plate	1	
9	Dry filter	1		31	Insulation sponge of the top cover	1	
10	Capillary	1		32	Top cover	1	
11	DC fan	3		33	Ice shovel	1	
12	Water inlet valve	1		34	Left side plate	1	
13	Water drainage pipe of the water tank	1		35	Foaming inner cabinet & Ice storing bin	1	
14	Ice-harvesting Electro-magnetic valve	1		36	Door frame	1	
15	Water tank	1		37	Back strength plate	1	
16	Right side plate	1		38	Water outlet pipe of the inner cabinet	1	
17	Water circulation pump	1		39	Water drainage cap	1	
18	Cover of the water tank	1		40	Water drainage port	1	
19	Water level detecting switch	1		41	Door	2	
20	Ice-full detecting plate	1		42	Water inlet port	1	
21	Magnetic control switch	4		43	Power cord	1	
22	Cover board on the right side of the evaporator	1		44	Clipper of the power cord	1	
				45	Wiring	1	

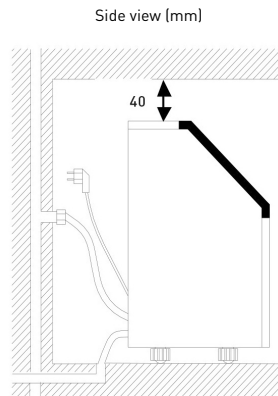
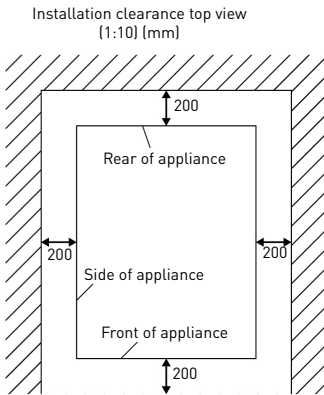
## Unpacking your ice maker

1. Remove the exterior and interior packaging. Check if all the accessories, including instruction manual, ice scoop, white water inlet pipe, 4 ways to 2 ways water quick connector and the water draining pipe, etc., are inside or not. If any parts are missing, please contact our customer service.
2. Keep the packaging if you intend to store your appliance in the future.
3. Remove the tapes for fixing the door and inned cabinet, ice scoop, etc.. Roughly clean the inner cabinet & ice scoop with wet clothe.
4. Put the ice maker on a level & flat floor, without direct sunlight and other sources of heat (i.e.: stove, furnace, radiator). Maker sure that there is at least 20cm gap between the air outlet and the obstacles, and at least 5 cm between Left/ Right side and the wall.
5. Allow 4 hours for the refrigerant fluid to settle before plugging the ice maker in if the unit may-be fall upside down during shipping or transportation.
6. The appliance must be positioned so that the plug is accessible.

**WARNING:** Only use drinking water to make ice.

## Installation location requirement

- a) Keep the proper room temperature and inlet water temperature according to above specification table. Otherwise it will affect the ice making performance.
- b) This unit should not be located near any heat source.
- c) The unit should be located on a firm & level foundation at normal counter top height.
- d) There must be at least 200mm clearance around the appliance and 40mm clearance from the top to keep good air ventilation.
- e) Do not put anything on the top of the ice maker.



When installing the ice maker under a counter, follow the recommended spacing dimensions shown above. Place electrical and water supplies and drain fixtures in the recommended locations as shown.

Choose a well-ventilated area with temperatures above 10°C and below 32°C. This unit **MUST** be

installed in an area protected from the elements, such as wind, rain, water spray or drips.

The ice maker requires a continuous water supply with pressure 1-8 Bar as required in above specification table. The temperature of the water feeding into the ice maker should be between 5°C and 25°C for proper operation.

## Electrical requirement & connections

### WARNING: THIS UNIT MUST BE EARTHED.

- Before you move your ice maker into its final location, it is important to make sure you have the proper electrical connection.
- It is recommended that a separate circuit, serving only your ice maker, be provided. Use receptacles that cannot be turned off by a switch or pull

chain. If the supply cord or plug to be replaced, it should be done by a qualified service engineer.

- This appliance requires a standard 220-240 Volt, 50Hz electrical outlet with good grounding means.

## Cleaning your ice maker before first using

1. Open the door.
2. Clean with diluted detergent, warm water and a soft cloth.
3. Repeatedly clean the water contacting inner parts, you can pull the Water drain pipe of the water tank indicating "H" in above illustration to drain the cleaned water in the water tank, next clean the inner ice-storing cabinet. After that drain out all of the cleaning water from the water drain port located at the back of the unit ("7" in

above illustration). Reinstall the water drain pipe and the cap of the water drain port, otherwise, the unit will not work properly. Discard the first ice-cube after cleaning.

4. The outside of the ice maker should be cleaned regularly with a mild detergent solution and warm water.
5. Dry the interior and exterior with a clean soft cloth.

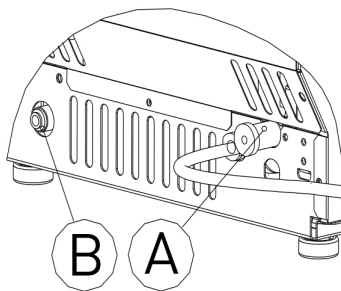
## Water connection for your ice maker

**Important:** Be sure to use the new hose-sets supplied with the appliance.

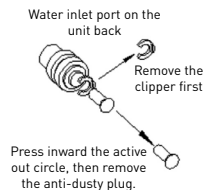
Connect the water supplying hose to the unit

Step 1: First remove the clipper on the water inlet port (indicated in the following illustration "B") located at the back of the unit. Remove the anti-dust plug.

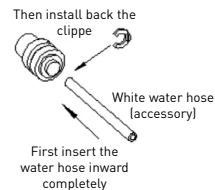
Step 2: Insert the one end of the white water hose into the water inlet port, and push inward completely, and install back the clipper, then water hose connection is completed.



Step 1: Remove the anti-dusty plug



Step 2: Insert the water hose



## Connecting the water drain pipe

Pull out the water drainage cap with black color (indicated "A" in above illustration), then connect the white drainage pipe included in accessory, con-

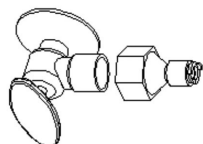
nect the other end of this drainage to the main water drainage pipeline.

## Connect the water hose to the water faucet of the water main supply system

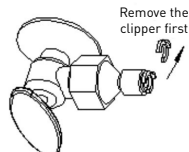
The supplied water quick-connector must be screwed to a faucet; remove the clipper from the water quick-connector, insert the other end of the water hose into this quick-connector port completely, install back the clipper.

Important: The water pressure of main water supply system must be 0.04-05 MPa at.

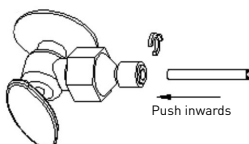
Step 1: Quick-connector and the water faucet



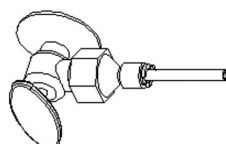
Step 2: Screw the quick-connector on the water faucet by the screw thread, and remove the clipper



Step 3: Insert the water hose completely



Step 4: Insert back the clipper



## Operation the ice-making process

1. After all of the water pipe connecting is completed, plug in the main power supply. Then press "⏻" button on the control panel to begin the ice making cycle, and the "Ice" light will be on at same time. The digit window will display the ambient temperature normally. The compressor, fan motor and water pump will run during ice making process.
2. Each ice making cycle will last about 11 to 30 minutes, depending on the ambient temperature and the water temperature.
3. When the ice-making process is over the machine will switch to ice-harvest process. At same time the system will detect the water level, if the water level is lower than required, "Add water" light starts flashing, open the water inlet valve to supply extra water to water tank, when the water supplying process is finished, the "Add water" light is off again.

4. When the "Full" indicator is on, the unit stops running. If you remove enough cubes, the unit will start to work again after a 3 minute period.
5. During the ice-making process, press the ▲ or ▼ button to adjust the ice-making process duration period length, this will change the thickness of the ice cube. The default setting is zero, 1 minute will add or decrease to the process per pressing of the ▲ or ▼ button. 5 seconds after the last press, the new setting are programmed.
6. Bad water quality will cause bad quality of ice cubes and will reduce the transparency of the ice cube.

**NOTE:** Created ice cubes are joined together and still need to be broken apart.

## Automatic self-cleaning program

Start the self-cleaning program: After connecting all of the water pipe, plug on the main power supply plug press the "Clean" button for more than 5 seconds, this starts the cleaning program. The "Clean" light will be on during cleaning, the digit window will indicate the left time. The self-cleaning program takes 30 minutes.

Cancel the self-cleaning program: It takes about 30 minutes to complete one self-cleaning program. When the program is over, the system will be in off-state automatically. And also you can press the "⏻" button on control panel to cancel the self-cleaning program by force.

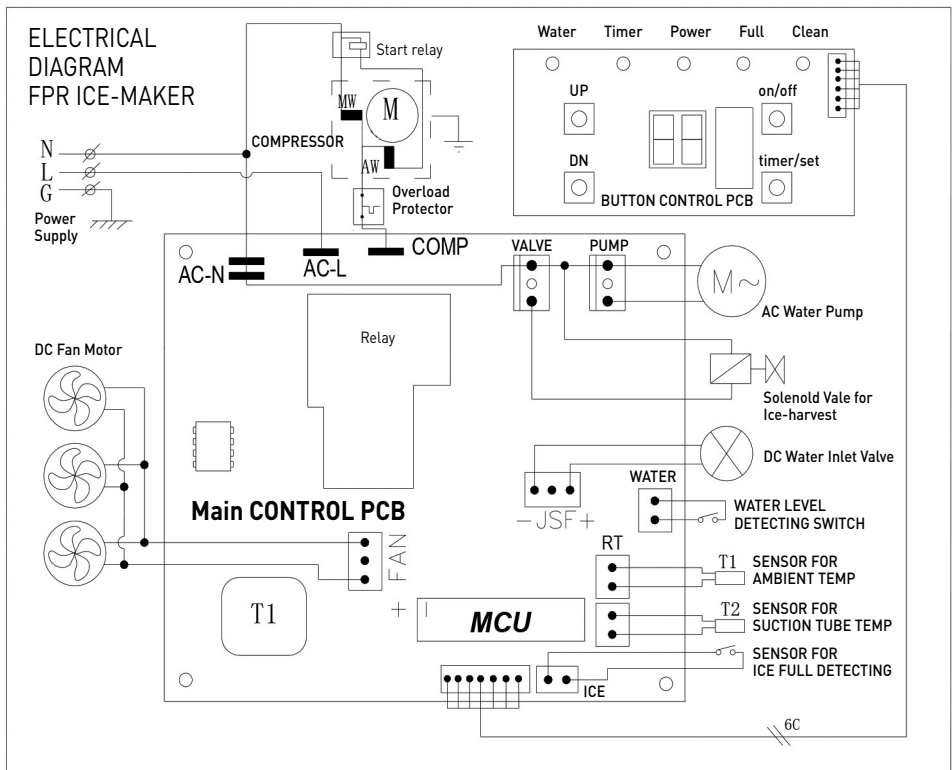
## Timer Setting

How to set the timer: When the machine is off, press the "Timer/Clean" button to set the time when the machine has to turn on. The "Timer" light will go on, the number in digital window will flash to display in how many hours the machine will go on. During the number flashing, press ▲, ▼ button to add or remove hours, the default setting is zero. Five seconds after setting, your desired setting will be programmed.

How to cancel the ON-Timer: Press the "Timer/Timer" button, the number in digital window will flash to display the present delay time of your ON-Timer, and press the button again to cancel the setting. Pressing the "⏻" button will also cancel the timer.

How to cancel the OFF-Timer: This is the same procedure as for canceling the ON-Timer.

## Wiring diagram



## Normal Sounds

Your new ice maker may make sounds that are not familiar to you. Most of the new sounds are normal. Hard surfaces like the floor, walls and cabinets can make the sounds seem louder than they actually are. The following describes the kinds of sounds that might be new to you and what may be making them.

- You will hear a swooshing sound when the water valve opens to fill the water tank for each cycle.
- Rattling noises may come from the flow of the refrigerant or the water line.
- The high-efficiency compressor may make a pulsating or high-pitched sound.
- Water running from the water tank to the evaporator plate may make a splashing sound.

EN

- Water running from the evaporator to the water tank may make a splashing sound.
- As each cycle ends, you may hear a gurgling sound due to the refrigerant flowing in your ice-maker.
- You may hear air being forced over the condenser by the condenser fan. During the harvest cycle,

you may hear the sound of ice cubes falling into the ice storage bin.

- When you first start the ice maker, you may hear water running continuously. The ice maker is programmed to run a rinse cycle before it begins to make ice.

---

### Preparing the ice maker for long storage

If the ice maker will not be used for a long time, or is to be moved to another place, it will be necessary to drain out all of the water in the system.

1. Turn off the unit, and unplug the power cord.
2. Shut off the water supply at the main water supply.
3. Disconnect the water supply hose from the water inlet valve.
4. Pull out the Water drain pipe of the water tank (H in illustration) to drain out the water in the water tank. When all the water has been drained, reinstall the water drain.

5. Drain out all the water from the water drain port located at back of the unit (7 in illustration).
6. Disconnect the water drain pipe to the main drain pipeline or floor drain, plug on the drain cap again.
7. Leave the door open to allow for circulation and prevent mold and mildew.
8. Leave water supply hose and power cord disconnected until ready to reuse.
9. Dry the interior & wipe the outside of the unit.
10. Put a plastic bag on the unit to resist out dust & dirty.

---

### Cleaning & maintenance

**WARNING:** Do not use any alcohol or fume for cleaning/sanitization of the ice maker. It may cause cracks on the plastic parts. Ask a trained service person to check and clean the condenser at least once a year, in order to let the unit work properly. This appliance must be cleaned by use of a water jet.

**CAUTION:** If the ice maker has been left unused for a long time, before the next use it must be thoroughly cleaned. Follow carefully any instructions provided for cleaning or use of sanitizing solution. Do not leave any solution inside the ice maker after cleaning.

Periodic cleaning and proper maintenance will ensure efficiency, top performance, hygienic, and long life. The maintenance intervals listed are based on normal conditions. You may want to shorten the intervals if you have pets, or the unit is used outdoors, or there are other special considerations.

What shouldn't be done

Never keep anything in the ice storage bin that is not ice: objects like wine and beer bottles are not only unsanitary, but also it's labels may slip off and obstruct the drain pipe.

---

### Exterior Cleaning

The door and cabinet may be cleaned with a mild detergent and warm water. Do not use solvent-based or abrasive cleaners. Use a soft sponge and rinse with clean water. Wipe dry with a soft clean towel to prevent water spotting.

**NOTE:** Stainless steel models exposed to chlorine gas and moisture, such as in areas with spas or swimming pools, may have some discoloration of stainless steel. Discoloration from chlorine gas is normal.

## Interior Cleaning

### For Ice Storage Bin

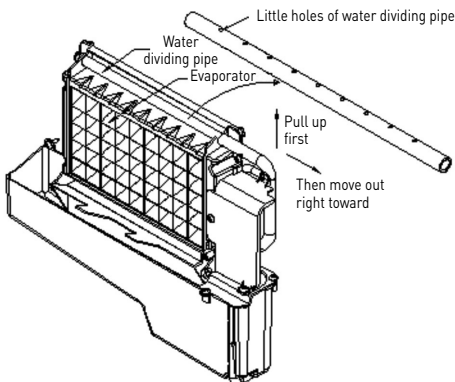
The ice storage bin should be sanitized occasionally. Clean the bin before the ice maker is used for the first time and reused after stopping for an extended period of time. It is usually convenient to sanitize the bin after the outside, the storage bin must be empty.

1. Disconnect power to the unit.
2. Open the door and with a clean cloth, wipe down the interior with a sanitizing solution made of 28g of household bleach or chlorine and 7.5L of hot water.

### Ice Making Parts Cleaning

During the using, periodically to clean these main system of your ice-maker.

1. Repeat above step to clean the water tank and other inner parts of the unit.
2. Clean the water dividing pipe on the evaporator extra, uninstall this part and clean each little hole displayed in the following illustration, make sure each hole is not clogged, then install back to the original location.
3. When there are ice cubes on the surface of the evaporator, but they can't fall, don't remove it by force; just press the "⏻" button for more than 5 seconds, the unit will enter the ice melting process. After some while the big ice-cubes will fall down. Turn off the unit and unplug the power cord to clean the surface of the evaporator.

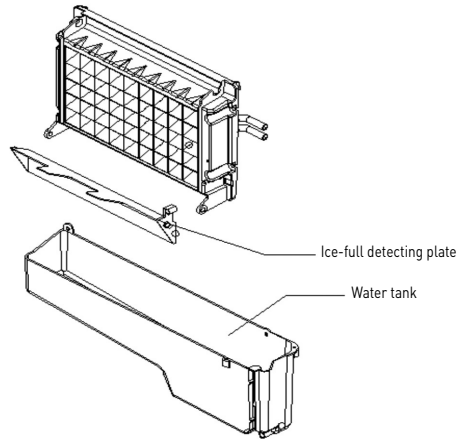


3. Rinse thoroughly with clear water. The waste water will be drained out through the drain pipe.
4. Reconnect power to the unit.

The ice scoop should be washed regularly. Wash it just like any other food container.

**WARNING:** Do not use solvent-based or abrasive cleaners. These may transmit taste to the ice cubes.

4. For the water tank and ice-full detecting plate.



Also the water tank and the ice-full detecting plate is very important to keep your ice cube hygienic. Put mixture of neutral cleaner & water into a clean water jet, then spray to all the inner surface of tank & the ice detecting plate. Wipe these surfaces as far as possible with a clean cloth. And then, spray the surfaces with clean water, wiping with a dry clean cloth. Then drain out the cleaned water in the water tank by pulling out the Water drain pipe of the water tank indicating (H in illustration). When all of the cleaned water has been drained out, re-install back the water drain pipe of the water tank.

**Suggestion:** After cleaning the interior parts discard the first batch of ice.

## Descaling the machine

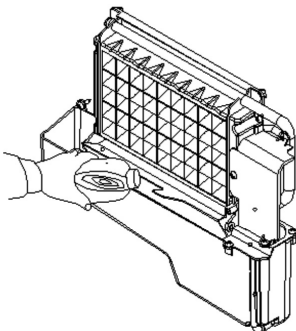
Minerals that are removed from water during the freezing cycle will eventually form a hard scaly deposit in the water system. Cleaning the system regularly helps remove the mineral scale buildup. How often you need to clean the system depends upon how hard your water is. With hard water of 4 to 5 grains/liter, you may need to clean the system as often as every 6 months.

1. Turn off the ice maker. Keep the ice maker connect to the water supply and drainpipe. But shut off the water faucet of main water supply.
2. Open the door and scoop out all of the ice cubes. Either discard them or save them in an ice chest or cooler.
3. Making the cleaning solution. Please mix the Nu-Calgon Nickle Safe Ice Machine Cleaner with water to make the cleaning solution.

**WARNING:** Wear rubber gloves and safety goggles when handling Ice Machine Cleaner

Use a plastic or stainless container with more than 4 liters capacity, mix 300 ml Nu-Calgon Nickle Safe Ice-machine Cleaner with 2.8 liters warm water about 50-60°C, Then divide them for 2 shares equally in 2 cups. It is better to keep the temperature of each cup of the cleaning solution.

4. Check to be sure that the water drain pipe of the water tank has been installed properly in the slot of the tank wall. Then Pour one cup of Nickel-Safe Ice Maker Cleaning Solution into the water tank. Wait about for 5 minutes.



5. Turn on the power to the ice maker, then press the "Clean" button on control panel for more than 5 seconds, to enter the self-Cleaning program. During this process, the "Clean" light will always be on during this period, and the digit window will indicate the time left.
6. After self-cleaning program, pull out the drain pipe of the water tank, drain the cleaning solution down to the lower ice storage bin. Shake the unit slightly to drain out all of the cleaning solution completely. Then install back the drain pipe to the slot of the water tank.
7. Repeat steps 4--6 to clean the ice making assembly system again.

**WARNING:** The ice machine cleaner contains acids. DO NOT use or mix with any other solvent-based cleaner products. Use rubber gloves to protect hands. Carefully read the material safety instructions on the container of the ice machine cleaner.

8. Open the water faucet of the main water supply, let the water flow in the unit. Again press the "Clean" button on control panel for more than 5 seconds, to enter the self-Cleaning program. Through this process, It will rinse the water dividing pipe, evaporator, water pump, silicone pipe, and water tank, etc..
9. After one self-cleaning program complete, then pull out the drain pipe of the water tank, drain the cleaning solution down to the lower ice storage bin, also shake the unit slightly to drain out all of the water completely. Then install back the drain pipe to the water tank slot tightly.
10. Repeat the step 8-9 again 2 times.
11. Following the above program to clean the ice storage bin.
12. Discard the first batch of ice cube.



## Cleaning Suggestion

### 1. DAILY CLEANING

The ice shovel, door and the water dividing pipe should be cleaned by yourself per each day. At the end of every day, rinse the ice shovel and wipe the both sides of the door with a clean cloth.

### 2. SEMI-MONTHLY CLEANING

The ice shovel, ice bin, water tank, the ice-full detecting plate and the surface of the evaporator are to be cleaned by yourself semi-monthly according to interior cleaning program.

### 3. SEMI-ANNUAL CLEANING

All the components & surfaces exposed to water or ice cubes, like ice storage bin, water tank, door, evaporator, water pump, silicone tube, water dividing pipe, etc. should be cleaned **by Using Nu-Calgon Nickle Safe Ice-machine Cleaner** per each 6 months.

## Trouble shooting

Problem	Possible	Solution
"Add water" indicator is on.	No water supply	Check the main water supply pressure or check the water supply hose is blocked or not, adding the water pressure or cleaning the hose necessary.
	Floating ball of the water level detecting switch is blocked, can't be raised up	Clean the water tank and the water level detecting switch.
	Water flows out from the water tank	Place the unit on the level position, not on the slope.
	Water flows out from the water drain pipe of the water tank.	Pull out the pipe and install back to the slot of the water tank properly.
"Add water" indicator flashes	Water supplying hose breakdown, or water flows in very slowly.	Check the main water supply pressure or check the water supply hose is blocked or not, adding the water pressure or cleaning the hose necessary.
Water pump is working, but no water flow out from the water dividing pipe	The little holes on the water dividing pipe is blocked.	Clean these little holes.
The transparency of the ice cube is not very good	Water quality is bad	Change the water supply, or use the water filter to soften or filter the water.
Ice cube shape is irregular	Water quality is not good or the water tank is very dirty	Clean the water tank, and change with new water.
	The little holes on the water dividing pipe is some blocked	Clean the water dividing pipe, make sure all nine holes are unlogged.
Ice cube is very thin	Ambient temperature is too high	Move the unit to low temperature space, or lengthen the time of each ice making cycle.
	Air circulation around the unit is not good	Make sure there is more than 20CM space between the unit back & front and the obstacle
Ice cube is too thick	Ambient temperature is too low	Reduce the time of each ice making cycle.
"Full" indicator is on	The ice storage bin is full of the ice cube.	Take out some ice cube
Ice making cycle is normal, but there is no ice cube produced	The temperature of Ambient, or water in water tank is too high	Move to the place with temperature lower than 32 centigrade, and change to the low temperature water
	Refrigerant leakage	Need the technical serviceman to maintain
	Cooling system tube is clogged	Need the technical service person to maintain

---

**Error indicator**

E1: Ambient temp sensor breakdown

E2: The duration time of one ice making cycle is more than 35 minutes, the unit will be turned off. It is the system protection of no refrigerant in cooling system or the compressor not work.

---

**Warranty**

Any defect affecting the functionality of the appliance which becomes apparent within one year after purchase will be repaired by free repair or replacement provided the appliance has been used and maintained in accordance with the instructions and has not been abused or misused in any way. Your statutory rights are not affected. If the appliance is claimed under warranty, state where and

when it was purchased and include proof of purchase (e.g. receipt).

In line with our policy of continuous product development we reserve the right to change the product, packaging and documentation specifications without notice.

---

**Discarding & Environment**

When decommissioning the appliance, the product must not be disposed of with other household waste. Instead, it is your responsibility to dispose to your waste equipment by handing it over to a designated collection point. Failure to follow this rule may be penalized in accordance with applicable regulations on waste disposal. The separate collection and recycling of your waste equipment at the time of disposal will help conserve natural re-

sources and ensure that it is recycled in a manner that protects human health and the environment.

For more information about where you can drop off your waste for recycling, please contact your local waste collection company. The manufacturers and importers do not take responsibility for recycling, treatment and ecological disposal, either directly or through a public system.

Sehr geehrter Kunde,

Vielen Dank für den Kauf dieses Arctic Gerät. Lesen Sie dieses Handbuch sorgfältig und achten Sie besonders auf die unten aufgeführten Sicherheitsvorschriften, bevor Sie dieses Gerät zum ersten Mal installieren und verwenden.

---



## Sicherheitsvorschriften

- Dieses Gerät ist für den Buffet- und Haushaltsgebrauch bestimmt.
- Verwenden Sie das Gerät nur für den vorgesehenen Zweck, für den es entworfen wurde, wie in diesem Handbuch beschrieben.
- Der Hersteller haftet nicht für Schäden, die durch fehlerhafte Bedienung und unsachgemäße Verwendung verursacht werden.
- Halten Sie das Gerät und den elektrischen Stecker von Wasser und anderen Flüssigkeiten fern. Falls das Gerät in Wasser fällt, entfernen Sie sofort den Netzstecker von der Steckdose. Verwenden Sie das Gerät erst, wenn es von einem zertifizierten Techniker überprüft wurde. Die Nichtbefolgung dieser Anweisungen führt zu lebensbedrohlichen Risiken.
- Versuchen Sie niemals, das Gehäuse des Geräts selbst zu öffnen.
- Legen Sie keine Objekte in das Gehäuse der Appliance ein.
- Berühren Sie den Stecker nicht mit nassen oder feuchten Händen.
-  **GEFAHR EINES ELEKTRISCHEN SCHLAGS!** Versuchen Sie nicht, das Gerät selbst zu reparieren, Reparaturen sind nur von qualifiziertem Personal durchzuführen.
- **Verwenden Sie niemals ein beschädigtes Gerät!** Wenn es beschädigt ist, trennen Sie das Gerät von der Steckdose und wenden Sie sich an den Händler.
- **WARNUNG!** Tauchen Sie die elektrischen Teile des Geräts nicht in Wasser oder andere Flüssigkeiten ein.
- Halten Sie das Gerät niemals unter fließendem Wasser.
- Überprüfen Sie regelmäßig den Netzstecker und das Kabel auf Beschädigungen. Bei Beschädigung muss es durch einen Dienstleister oder eine ähnlich qualifizierte Person ersetzt werden, um Gefahren oder Verletzungen zu vermeiden.
- Stellen Sie sicher, dass das Kabel nicht mit scharfen oder heißen Gegenständen in Berührung kommt und halten Sie es von offenem Feuer fern. Ziehen Sie niemals das Netzkabel, um es von der Steckdose zu trennen, ziehen Sie stattdessen immer den Stecker.
- Stellen Sie sicher, dass das Netzkabel und/oder das Verlängerungskabel keine Auslösegefahr verursachen.
- Lassen Sie die Appliance während des Gebrauchs niemals unbeaufsichtigt.
- **WARNUNG!** Solange sich der Stecker in der Steckdose befindet, wird das Gerät an die Stromquelle angeschlossen.
- Schalten Sie die Appliance aus, bevor Sie sie vom Sockel trennen.
- Schließen Sie den Netzstecker an eine leicht zugängliche Steckdose an, so dass das Gerät im Notfall sofort abgenommen werden kann.

DE

- Tragen Sie das Gerät niemals an der Schnur.
- Verwenden Sie keine zusätzlichen Geräte, die nicht zusammen mit der Appliance geliefert werden.
- Schließen Sie das Gerät nur an eine Steckdose mit der Spannung und Frequenz an, die auf dem Etikett des Gerätes angegeben ist.
- Verwenden Sie niemals anderes Zubehör als das vom Hersteller empfohlene Zubehör. Andernfalls könnte ein Sicherheitsrisiko für den Benutzer darstellen und das Gerät beschädigen. Verwenden Sie nur Originalteile und Zubehör.
- Dieses Gerät sollte nicht von Personen mit eingeschränkter körperlicher, sensorischer oder geistiger Leistungsfähigkeit oder von Personen mit mangelnder Erfahrung und Kenntnisnahme betrieben werden.
- Dieses Gerät sollte unter keinen Umständen von Kindern verwendet werden.
- Bewahren Sie das Gerät und das Netzkabel außerhalb der Reichweite von Kindern auf.
- **ACHTUNG:** Schalten Sie das Gerät immer aus und ziehen Sie es vor der Reinigung, Wartung oder Lagerung von der Steckdose ab.

## Besondere Sicherheitsvorschriften

- Dieses Gerät ist für den Gebrauch in Haushalten und ähnlichen Anwendungen konzipiert, wie beispielsweise
  - 1) In Küchenbereichen von Geschäften, Büros und anderen Arbeitsumgebungen;
  - 2) In Bauernhäuser und durch Kunden in Hotels, Motels und anderen Arten von Wohngebäuden;
  - 3) In Umgebungen des Typs Bed & Breakfast;
  - 4) Für Gastronomie- und ähnliche Nicht-Einzelhandel-Anwendungen.
- Dieses Gerät darf nur von geschultem Personal in der Küche des Restaurants, Kantinen- oder Barpersonal usw. bedient werden.
-  **ACHTUNG! Heiße Oberfläche!** Die Oberfläche wird bei Benutzung heiß. Es darf nur das Bedienfeld berührt werden.
-  **ACHTUNG! Feuertgefahr!** Das in diesem Gerät verwendete Kältemittel ist vom Typ R290. Es handelt sich um ein leicht entflammbares Kältemittel. Das in diesem Gerät verwendete Schaumtreibmittel ist Cyclopentan. Sie sind leicht entflammbar.
- Stellen Sie das Gerät nicht auf ein Heizgerät (Benzin-, Elektro-, Holzkohlekoher, usw.). Halten Sie das Gerät von heißen Oberflächen und offenen Flammen fern. Betreiben Sie das Gerät immer auf einer ebenen, stabilen, sauberen, hitzebeständigen und trockenen Oberfläche.
- Dieses Gerät darf nicht mit einer externen Zeitschaltuhr oder einem separaten Fernbedienungssystem betrieben werden.
- **WARNUNG:** Halten Sie sämtliche Belüftungsöffnungen am Gerätegehäuse frei von Hindernissen.

- **WARNUNG:** Verwenden Sie keine mechanischen Geräte oder andere Mittel für eine Beschleunigung des Abtauvorgangs, es sei denn, diese wurden vom Hersteller empfohlen.
- **WARNUNG:** Beachten sie, dass Sie den Kältemittelkreislauf nicht beschädigen.
- **WARNUNG:** Nur mit Trinkwasser füllen.
- Lagern Sie keine explosiven Substanzen, wie z.B. Aerosoldosen mit einem brennbaren Treibmittel in diesem Gerät.
- Sehen Sie während der Verwendung einen Abstand von mindestens 20 cm um das Gerät herum vor.
- Stoßen Sie nicht mit harten Gegenständen gegen seine äußere Oberfläche. Verwenden Sie keinen Wasserstrahl, sondern spülen Sie direkt mit Wasser oder einem Dampfreiniger, da die Teile nass werden und so ein Stromschlag entstehen kann.
- Setzen Sie es keiner direkten Sonneneinstrahlung aus. Vermeiden Sie sowohl mechanische Stöße als auch Vibrationen.
- Bewegen oder transportieren Sie das Gerät immer in einer aufrechten Position, da ansonsten das Gerät beschädigt werden könnte.
- **VORSICHT!** Verlegen Sie das Netzkabel falls erforderlich auf eine sichere Weise, um zu verhindern, dass unbeabsichtigt daran gezogen wird oder um zu verhindern, dass es die Heizfläche berührt.
- Reinigen oder lagern Sie das Gerät erst dann, nachdem es vollständig abgekühlt ist.
- Das Gerät besitzt keine spülmaschinenfesten Teile.

### **ACHTUNG:**

Die Leitungen im Netzkabel sind in Übereinstimmung mit den folgenden Kennfarben gekennzeichnet:

Grün-gelb:	Erdung
Blau:	Neutral
Braun:	Phase

Wenn die Farben von Leitungen im Netzkabel den farbigen Bezeichnungen auf den Anschlussklemmen nicht entsprechen, bitte folgendermaßen vorgehen:

Die grün-gelbe Leitung muss an diese Klemme angeschlossen werden, die mit den Buchstaben E, G oder mit dem Symbol bzw. mit der grünen oder grün-gelben Farbe gekennzeichnet ist.

Die blaue Leitung muss an die Klemme angeschlossen werden, die mit dem Buchstaben N gekennzeichnet ist.

Die braune Leitung muss an die Klemme angeschlossen werden, die mit dem Buchstaben L gekennzeichnet ist.

**ACHTUNG:** Fertige Eiswürfel sind aneinander geklebt und müssen vor dem Gebrauch auseinander gebracht werden.

---

## Verwendungszweck

- Dieses Gerät ist für den Buffet- und Haushaltsgebrauch bestimmt.
  - Das Gerät ist nur für die Herstellung von Eiswürfeln konzipiert. Die Verwendung des Gerätes für andere Zwecke kann zu seiner Beschädigung sowie zu Körperverletzungen führen.
- 

## Erdungsinstallation

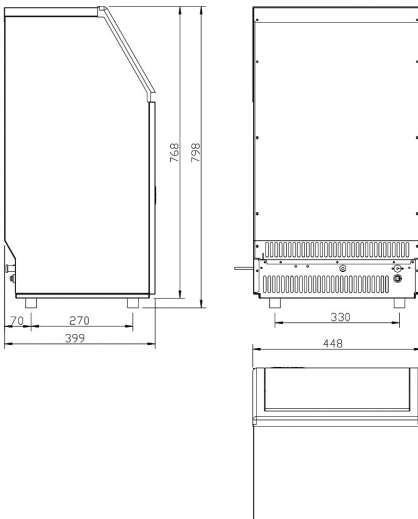
Dieses Gerät ist als **Schutzklasse I** eingestuft und muss mit einer Schutzerde verbunden werden. Die Erdung reduziert das Risiko eines elektrischen Schlags, indem ein Flucht kabel für den elektrischen Strom bereitgestellt wird. Dieses Gerät ist

mit einem Netzkabel mit einem Erdungskabel und einem geerdeten Stecker ausgestattet. Der Stecker muss in eine Steckdose gesteckt werden, die ordnungsgemäß installiert und geerdet ist.

---

## Technische Spezifikation

### 1) Massangaben / Anschlüsse



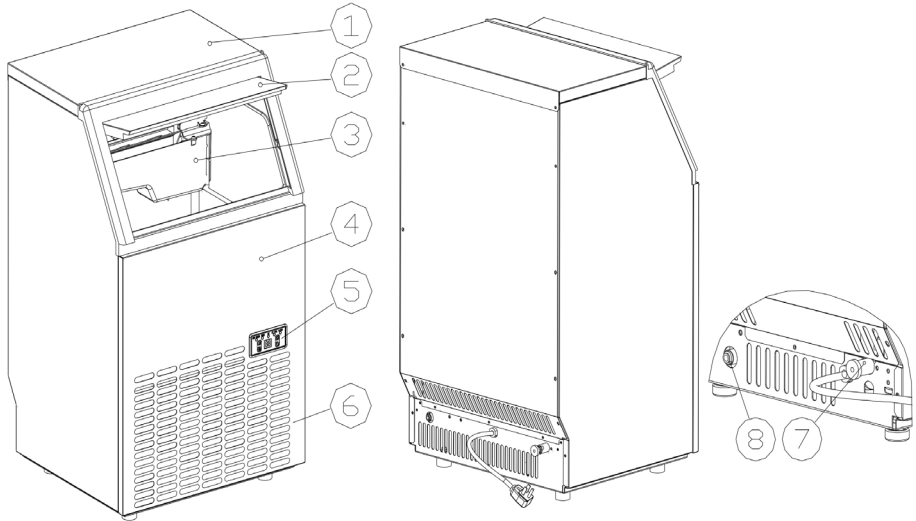
2) Nennwerte

<b>Artikel-Nr.</b>	<b>271575</b>	
Betriebsspannung und Frequenz	220-240V~ /50Hz	
Nennstrom	2,2A	
Nennleistung	280W	
Verwendetes Kältemittel & injizierte Menge	R290 / 95g	
Klimaklasse	SN-T	
Schaumtreibmittel	Cyclopentan	
Schutzgrad	Klasse I	
Arbeitsbedingungen	Raumtemperatur Wassertemperatur Wasserdruck	10°C ~ 38°C 5°C ~ 35°C 0,04 ~ 0,6 MPa
Nettogewicht (ca.)	27kg	
Abmessungen	448x400x(H)798mm	

**Anmerkung: Die technische Spezifikation kann ohne vorherige Ankündigung geändert werden.**

## Allgemeine Informationen

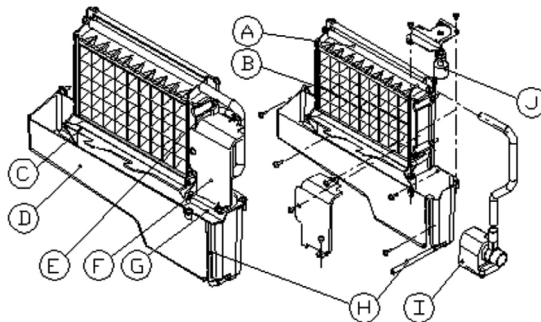
### 1) Konstruktion der Haupteinheit



1. Obere Abdeckung
2. Tür
3. Eiskwürfelmaschine und Wassertank
4. Frontplatte
5. Bedienfeld
6. Luftauslass: Es ist notwendig, einen freien Luftstrom zu gewährleisten; beim Betrieb wird heiße Luft ausgeblasen werden.

7. Wasserablauf
8. Wasserzulauf

Zubehör: weißer Wasserablaufschlauch, 2 Meter lang; Wasserhahnklemme; weißer Wasserzulaufschlauch für Versorgung mit fließendem Wasser ( $\varnothing$  6,35 mm), 3 Meter lang.

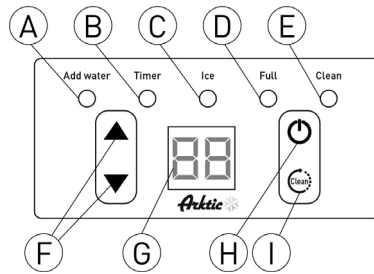


- A. Wasserverteilerrohr mit neun kleinen Löchern, aus denen Wasser ausläuft.
- B. Verdampfer (Modul der Eiskwürfelmaschine)
- C. Platte für die Erkennung der Befüllung des Eiskwürfelbehälters
- D. Wassertank

- E. Wasserzulaufschlauch
- F. Deckel, rechtseitig am Verdampfer
- G. Installationsplatte des Wasserstandscharter
- H. Wasserablaufschlauch; vom Wassertank
- I. Wasserpumpe
- J. Schalter für die Wasserstanderkennung

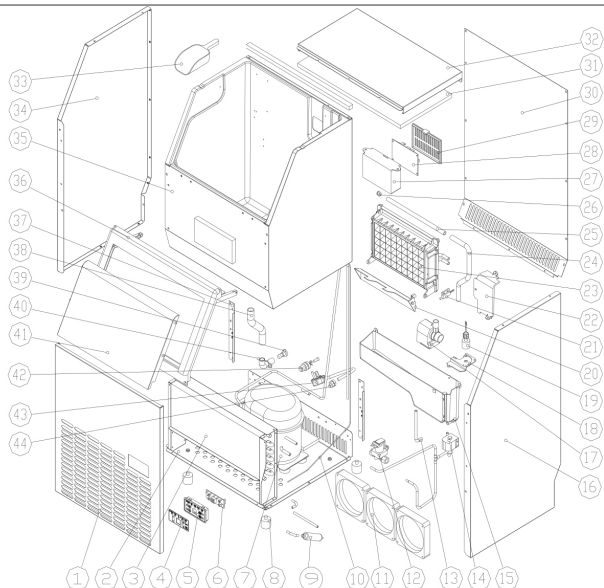


## 2) Bedienfeld



- A. Kontrollleuchte "Add water" [WASSER NACH-FÜLLEN]: Das Blinken dieser Kontrollleuchte bedeutet, dass das Wasser zu langsam zufließt. Falls sie ununterbrochen leuchtet, bedeutet dies, dass das Wasser im Wassertank fehlt.
- B. Kontrollleuchte "Timer" [ZEITPROGRAMM]: Wenn diese Kontrolllampe leuchtet, bedeutet dies, dass der TIMER eingestellt ist. Den TIMER kann mit der Taste „clean/timer“ ein- oder ausschalten.
- C. Kontrollleuchte "Ice" [EIS]: Die Kontrollleuchte leuchtet, wenn das Gerät das Eis produziert. Das Blinken von ICE bedeutet, dass das Gerät das Eis sammelt.
- D. Kontrollleuchte "Full" [VOLL]: Die Kontrollleuchte leuchtet und zeigt an, dass der Eiswürfelbehälter mit Eis maximal gefüllt ist.
- E. Kontrollleuchte "Clean" [REINIGUNG]: Die Kontrollleuchte leuchtet, wenn mit der Reinigung der Wasserpumpe gestartet wird. Das Blinken von CLEAN bedeutet, dass die Reinigung der Wasserpumpe gestoppt wurde.
- F. Druckknöpfe ▲, ▼: Mit Hilfe von den Druckknöpfen ▲, ▼ können Sie die Eiswürfelproduktionszeit einstellen. Der Standardwert ist „0“ und jedes Drücken erhöht oder reduziert, je nachdem, diese Zeit um eine Minute. Auch bei der Verzögerungszeit-Einstellung des TIMERS beträgt der Standardwert „0“ und jedes Drücken von ▲ oder ▼ erhöht oder reduziert, je nachdem, die Zeit um eine Stunde.
- G. Digitaldisplay: Im Normalfall wird auf dem Display die Umgebungstemperatur angezeigt. Das Blinken des Displays signalisiert, wie viel Zeit in Minuten übrig geblieben ist, um einen Prozess zu beenden, z.B. Eiswürfelproduktionszyklus, Reinigungsprogramm etc.
- H. Druckknopf "EIN/AUS" [EIN/AUS]: Wenn das Gerät ausgeschaltet ist, das Drücken der EIN/AUS-Taste startet den Produktionsvorgang. Falls Sie die EIN/AUS-Taste während der Selbstreinigung oder des normalen Produktionsvorgangs drücken, wird das Gerät sofort ausgeschaltet. Wenn der TIMER eingestellt ist und Sie die EIN/AUS-Taste drücken, wird die TIMER-Einstellung annulliert. Das lange Drücken dieser Taste (länger als 5 Sekunden) während der Eiswürfelproduktion startet den Speichervorgang.
- I. Druckknopf "REINIGUNGSPROGRAMM" [REINIGUNGSPROGRAMM]: Um die Einstellungen im Reinigungsprogramm zu wählen, drücken Sie einmal die Taste "TIMER CLEAN". Drücken Sie diese Taste bei ausgeschaltetem Gerät länger als 5 Sekunden, um das Reinigungsprogramm aufzurufen.

# Stückliste



Nr.	Teil	Menge	Bemerkung	Nr.	Teil	Menge	Bemerkung
1	Frontplatte	1		24	Wasserzulaufrohr	1	
2	Untere Platte	1		25	Wasserverteilerrohr mit neun Löchern	1	
3	Kondensator	1		26	Verschlussdeckel des Wasserverteilerrohres	1	
4	Systemsteuerung- Informationsplakette	1		27	Kasten für Leiterplatte	1	
5	Kasten für Systemsteuerungsleiterplatte	1		28	Leiterplatte des Hauptsteuermoduls	1	
6	Systemsteuerungsleiterplatte	1		29	Leiterplattenabdeckung des Hauptsteuermoduls	1	
7	Kompressor	1		30	Hintere Platte	1	
8	Verstellbarer Fuß	4		31	Isoliermaterial für die obere Abdeckung	1	
9	Trockenfilter	1		32	Obere Abdeckung	1	
10	Kapillarrohr	1		33	Eisschaufel	1	
11	Gleichstromlüfter	3		34	Linke Seitenplatte	1	
12	Ventil für den Wasserzulauf	1		35	Innerer Schrank mit Isolierschaum und Eiswürfelbehälter	1	
13	Abflussrohr des Wassertanks	1		36	Türrahmen	1	
14	Wassertank	1		37	Verstärkte, hintere Platte	1	
15	Rechte Seitenplatte	1		38	Ablaufrohr aus innerem Schrank	1	
16	Pumpe für Wasserumlauf	1		39	Verschlussdeckel des Wasserablaufes	1	
17	Abdeckung des Wassertanks	1		40	Anschluss des Wasserablaufes	1	
18	Schalter für Wasserstanderkennung	1		41	Tür	2	
19	Platte für die Erkennung der Befüllung des Eiswürfelbehälters	1		42	Anschluss des Wasserzulaufes	1	
20	Magnetischer Steuerschalter	1		43	Stromzuführungskabel	1	
21	Deckel der rechten Seite des Verdampfers	4		44	Klemme für Stromzuführungskabel	1	
22	Cover board on the right side of the evaporator	1		45	Verkabelung	1	
23	Verdampfer mit Rahmen	1					

## Auspacken der eiswürfelmaschine

1. Vor der Inbetriebnahme entfernen Sie das äußere und innere Verpackungsmaterial. Prüfen Sie, ob alle Teile mitgeliefert werden, darunter Bedienungsanleitung, Eisschaufel, Zulaufschlauch für fließendes Wasser, Schnellkupplung 4 Dräh-te/2 Dräh-te, Wasserablaufschauch usw. Falls irgendwelche Teile fehlen, nehmen Sie bitte mit unserem Kundenservice Kontakt auf.
2. Bewahren Sie die Verpackung auf, wenn Sie Ihr Gerät in Zukunft lagern wollen.
3. Entfernen Sie die Kunststoffbänder, die die Tür und die Innenseite des Schrankes sowie die Eisschaufel (usw.) befestigen. Benutzen Sie ein feuchtes Tuch, um die Innenseite des Schrankes und die Eisschaufel grob abzuwischen.
4. Stellen Sie das Gerät auf einer ebenen und sicheren Fläche auf, die das Gewicht des Gerätes aushält. Vermeiden Sie die direkte Sonneneinstrahlung und stellen Sie das Gerät nicht in der

Nähe von offenen Heizquellen (z.B. Elektroöfen, Heizöfen oder anderen Hitzequellen) auf. Halten Sie einen Mindestabstand von 20 Zentimetern ein, damit eine ausreichende Luftzirkulation gewährleistet ist und das Gerät nicht überhitzt. Achten Sie darauf, dass der Abstand zwischen Wand und Eismaschine (linke/rechte Seite) mindestens 5 Zentimeter beträgt.

5. Vor dem Anschluss des Gerätes an die Stromversorgung warten Sie 4 Stunden ab, damit sich das Kältemittel setzt. Das Gerät konnte auf dem Kopf transportiert werden.
6. Stellen Sie das Gerät so auf, dass es ausreichend Platz für die Bedienperson gibt, um den Stecker zu bedienen.

**WARNUNG:** Verwenden Sie für die Herstellung der Eiswürfel nur Trinkwasser.

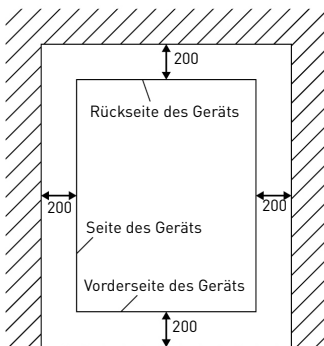
## Hinweise zur installationsstelle

- a) Beachten Sie die Wertgrenzen der Umgebungs- und Wassertemperatur, die in der oberen Spezifikation angegeben sind. Die Nichtbeachtung dieser Angaben kann Fehlfunktionen und/oder Ausfall des Gerätes zur Folge haben.
- b) Stellen Sie die Eiswürfelmaschine nicht in der Nähe von Heizquellen.
- c) Stellen Sie das Gerät auf einer festen und ebe-

nen Fläche in einer normalen Tischhöhe.

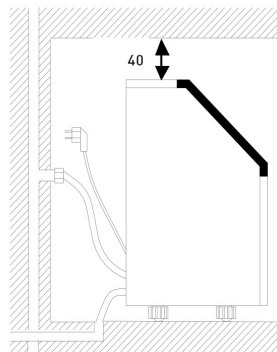
- d) Um das Gerät herum muss ein Freiraum von mindestens 200 mm und an der Oberseite ein Freiraum von 40 mm vorhanden sein, um eine gute Luftzirkulation zu gewährleisten.
- e) Stellen Sie keine Gegenstände auf der oberen Fläche des Geräts ab.

Abstand bei der Installation/ die Ansicht von oben (1:10) (mm)



Falls Sie das Gerät unter der Tischplatte installieren, beachten Sie bitte die richtigen Abstände (siehe oben). Schließen Sie die Stromleitungen sowie die Schläuche für den Wasserab-/zulauf entsprechend der oberen Zeichnungen an.

Seitliche Ansicht (mm)



Nach der Installation stellen Sie das Gerät an einem gut gelüfteten Ort mit der Raumtemperatur mindestens 10°C und höchstens 32°C auf. Das Gerät MUSS an dem Ort eingebaut werden, wo es gegen Wind, Regen, Verspritzen und Wassertropfen geschützt ist.

Das Gerät muss ununterbrochen mit Wasser versorgt werden. Der Wasserdruck soll 1-8 Bar entsprechend der Nennwerte aus der Tabelle be-

tragen. Um die richtige Funktion des Gerätes zu gewährleisten, soll die Wasserzulauftemperatur zwischen 5°C und 25°C liegen.

### Anforderungen und elektrische verbindungen

**WARNUNG:** DIE EISWÜRFELMASCHINE MUSS GEERDET WERDEN.

- Vor der Aufstellung des Gerätes an dem gewählten Ort vergewissern Sie sich, ob die elektrischen Leitungen richtig angeschlossen sind.
- Empfehlenswert ist es, einen separaten Stromkreis, der nur zum direkten Anschließen der Eiswürfelmaschine dient, einzurichten. Verwenden

Sie bitte diese Steckdosen, die nicht mit dem Schalter oder mit Hilfe von einer Kette abzustellen sind. Falls die Versorgungsleitung oder der Stecker ausgetauscht werden muss, lassen Sie das Gerät von Fachpersonal reparieren.

- Das Gerät muss an das Stromnetz 220-240V, 50 Hz angeschlossen und richtig geerdet werden.

### Reinigung der eiswürfelmaschine vor erstem gebrauch

1. Öffnen Sie die Tür des Gerätes.
2. Reinigen Sie die Maschine mit lauwarmen Wasser und einem milden Reinigungsmittel mit Hilfe von einem weichen Tuch.
3. Reinigen Sie mehrmals die Innenteile des Gerätes, die mit dem Wasser in Berührung kommen. Nehmen Sie das Abflussrohr ab, das in der o.g. Abbildung mit dem Buchstaben "H" gekennzeichnet ist, um nach der Reinigung des Wassertanks das Schmutzwasser ablaufen lassen und den Eisbehälter reinigen. Dann

lassen Sie das ganze Schmutzwasser aus dem Wasserablauf (auf dem o.g. Bild mit der Ziffer "7" gekennzeichnet) ab. Damit das Gerät richtig funktioniert, bringen Sie das Ablaufrohr wieder an. Entsorgen Sie bitte den ersten Eiswürfel, die nach der Reinigung hergestellt wurde.

4. Reinigen Sie die Außenflächen des Gerätes mit einem in warmem Wasser und mildem Reinigungsmittel angefeuchteten Tuch.
5. Trocknen Sie danach die Innen- und Außenseite mit einem weichen Tuch gründlich ab.

DE

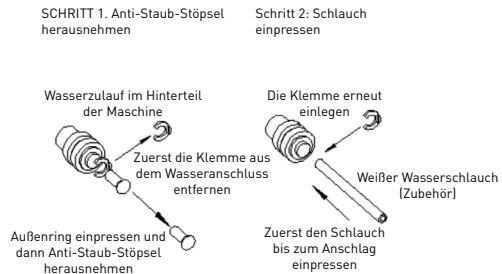
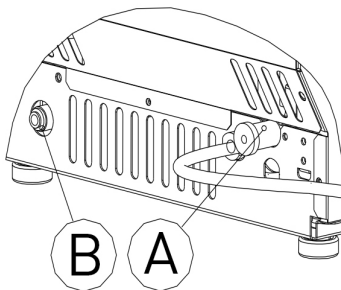
### Wasseranschluss

**ACHTUNG:** Verwenden Sie bitte nur neue Originalleitungen, die mit dem Gerät geliefert sind.

Schließen Sie bitte den Wasserzufuhrschlauch an. Schritt Nr. 1: Schrauben Sie die Klemme aus dem Wasseranschluss (auf der Zeichnung mit dem

Buchstaben „B“ gekennzeichnet) ab. Entfernen Sie den Anti-Staub-Stöpsel.

Schritt Nr. 2: Das Schlauchendstück in den Wasseranschluss kräftig einstecken und die Klemme erneut einlegen.



## Anschluss des Wasserabflussschlauches

Entfernen Sie die schwarze Wasserabflussmutter (gekennzeichnet mit dem Buchstaben „A“ – siehe obere Zeichnung) und dann schließen Sie den

weißen Abflussschlauch an und führen Sie das gegenüberliegende Ende dieses Schlauches an das Hauptabwasserrohr zu.

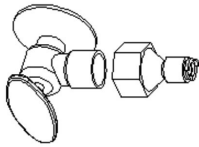
## Schließen Sie den Wasserzufuhrschlauch an den Wasserhahn des Wasserleitungsnetzes an.

Die Schnellkupplung muss an dem Wasserhahn angeschlossen werden; entfernen Sie zuerst die Klemme aus der Schnellkupplung und pressen Sie danach das gegenüberliegende Schlauchendstück

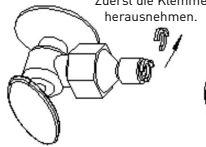
in die Schnellkupplung bis zum Anschlag ein. Legen Sie die Klemme wieder an.

**Achtung:** Wasserdruck im Wasserleitungsnetz muss mindestens 0,04-05 MPa betragen.

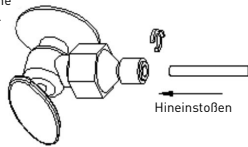
SCHRITT 1: Schnellkupplung und Wasserhahn



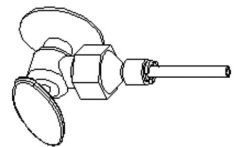
SCHRITT 2: Ziehen Sie die Schnellkupplung auf den Wasserhahn mit Hilfe von einem Gewindeelement auf und ziehen Sie die Klemme ab.



SCHRITT 3: Den Schlauch bis zum Anschlag einpressen.



Schritt 4: Die Klemme erneut anlegen.



## Eisherstellung

1. Nachdem Sie alle Schläuche an das Gerät angeschlossen haben, schließen Sie dann das Gerät an die Stromversorgung an. Um den Eisherstellungszyklus zu starten, drücken Sie die "⏻" -Taste auf dem Bedienfeld. Dabei leuchtet auch die ICE-Kontrollleuchte auf. Das digitale Display zeigt die Raumtemperatur an. Während des Eisherstellungsvorganges arbeiten der Kompressor, der Lüftermotor und die Wasserpumpe.
  2. Jeder Eisherstellungszyklus dauert ca. 11 bis 30 Minuten – in Abhängigkeit von Raum- und Wassertemperatur.
  3. Nach der Beendigung der Eiswürfelherstellung startet der Eiswürfelspeichermodus. Das Steuerungssystem erkennt gleichzeitig den Wasserstand. Bei zu geringem Wasserstand blinkt die Wasserstandanzeige "Add water". Öffnen Sie in diesem Fall das Wasserzulaufventil, um den Wassertank bis zur Markierung nachzufüllen. Nach diesem Prozess erlischt die Wasserstandanzeige "Add water".
  4. Die Eiswürfelmaschine wird automatisch in den Ruhezustand versetzt, wenn die Wasserstandanzeige "Full" aufleuchtet. Nach der Entleerung des gefüllten Eiswürfelbehälters schaltet das Gerät nach ca. 3 Minuten selbst wieder ein.
  5. Während der Eiswürfelherstellung betätigen Sie den Druckknopf ▲ oder ▼, um die Eiswürfelproduktionszeit zu ändern. Das wird die Veränderung der Eiswürfeldicke zur Folge haben. Der Standardwert beträgt "0" und jedes Drücken der Taste ▲ oder ▼ verlängert oder verkürzt, je nachdem, die Zeit um eine Minute. Nach 5 Sekunden ab dem letzten Drücken wird die neue Einstellung gespeichert.
  6. Schlechte Wasserqualität führt zur schlechten Eiswürfelqualität; die Eiswürfel sind nicht genug durchsichtig.
- ACHTUNG:** Eiswürfel sind aneinander geklebt und müssen vor dem Gebrauch auseinander gebracht werden.

---

## Das Programm der automatischen Selbstreinigung

Start der automatischen Selbstreinigungsprogramms: Um das Reinigungsprogramm zu starten, schließen Sie den Wasserschlauch und dann das Gerät an die Stromversorgung an, drücken und halten Sie dann die "Clean"-Taste länger als 5 Sekunden gedrückt. Während dieses Prozesses leuchtet die "Clean"-Leuchte und das digitale Display zeigt die übrig gebliebene Zeit an. Das Selbstreinigungsprogramm dauert 30 Minuten.

Annullierung des automatischen Selbstreinigungsprogramms: Ein voller Selbstreinigungszyklus dauert 30 Minuten. Wenn das Programm zu Ende gegangen ist, stoppt das Gerät automatisch. Sie können auch die Programmbeendigung durch das Drücken der "Power"-Taste auf dem Bedienfeld erzwingen.

---

## TIMER-Einstellung

Wie soll man die Einschaltzeit des Gerätes mit Hilfe von "Timer" programmieren: Wenn das Gerät außer Betrieb ist, drücken Sie die "Timer/Clean"-Taste, um die gewünschte Einschaltzeit einzustellen. Die "Timer"-Leuchte aufleuchtet und auf dem Display wird die eingestellte Einschaltzeit blinkend angezeigt. Während diese Leuchte blinkt, drücken Sie die ▲ oder ▼ Taste, um die Zeit je nachdem um eine Stunde zu erhöhen oder reduzieren. Der Standardwert beträgt "0". Die gewünschte Zeit wird innerhalb von 5 Sekunden nach der Einstellung gespeichert.

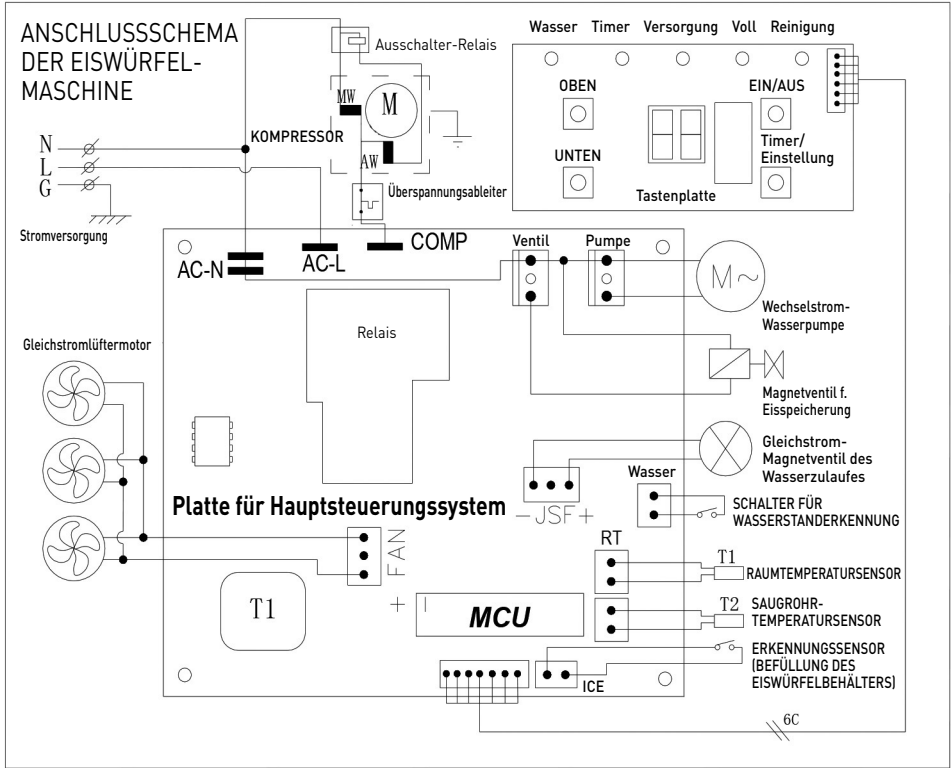
Wie soll man die eingestellte Einschaltzeit annullieren: Drücken Sie die "Timer/Clean"-Taste. Das Display zeigt blinkend die aktuelle Einschalt-

verzögerungszeit an, die im Timer programmiert wird. Erneutes Drücken dieser Taste annulliert diese Einstellung. Wenn Sie die "ON/OFF"-Taste drücken, wird die programmierte Einstellung des Timers auch annulliert.

Wie soll man die Ausschaltzeit des Gerätes mit Hilfe von "Timer" programmieren: Wenn das Gerät eingeschaltet ist, drücken Sie die Taste "Timer/Clean", um die gewünschte Ausschaltzeit einzustellen. Danach befolgen Sie die Schritte, die im oberen Punkt beschrieben sind.

Wie soll man die eingestellte Ausschaltzeit annullieren: Der Vorgang ist identisch wie das Annullieren der programmierten Einschaltzeit.

## DAS ANSCHLUSSSCHEMA INNEN



## Geräusche

Ihre Eiswürfelmaschine kann ungewöhnliche Geräusche hervorbringen, in den meisten Fällen sind sie aber natürlich. Harte Oberflächen wie z.B. der Fußboden, die Wände oder Schränke können die Geräusche noch verstärken und sie können lauter als in der Wirklichkeit sein.

Die Geräusche-Beschreibung.

- Während Sie das Ventil öffnen, um den Wassertank zu füllen, werden Sie das Rauschen hören.
- Das im Kompressor fließende Kältemittel oder die Wassernetzleitung kann knatternde Geräusche erzeugen.
- Der leistungsfähige Kompressor kann einen pulsierenden oder hochfrequenten Schall produzieren.

- Das aus dem Wassertank in den Verdampfer und umgekehrt fließende Wasser kann das spezifische Geräusch bzw. Plätschern hervorrufen.
- Der Kältemitteldurchfluss am Ende eines jeden Arbeitszyklus kann ein glickerndes Geräusch verursachen.
- Sie können das Geräusch der aus dem Lüfter oberhalb des Kondensators ausblasenden Luft hören. Während der Eisspeicherung ertönt das Geräusch der fallenden Eiswürfel.
- Nach der ersten Inbetriebnahme des Gerätes können Sie das Geräusch des dauernden Wasserdurchflusses hören. Vor der Eisherstellung führt die Eiswürfelmaschine den Spülzyklus aus.

---

## Vorbereitung der Eiswürfelmaschine zur längeren Aufbewahrung

Sollte das Gerät länger nicht gebraucht oder muss transportiert werden, muss man das ganze Wasser aus dem Gerät ablaufen.

1. Schalten Sie das Gerät aus und trennen Sie es von der Stromversorgung.
2. Drehen Sie die Hauptwasserquelle zu.
3. Trennen Sie den Wasserzulaufschlauch von dem Zufuhrventil ab.
4. Das Wasserablaufrohr aus dem Wassertank herausnehmen (in der Abbildung als H gekennzeichnet), um das ganze Wasser vom Wassertank abzulassen. Danach das Rohr wieder anbringen.
5. Das ganze Wasser aus dem Wasserablauf im Hinterteil des Gerätes ablaufen (Nr. 7 in der Abbildung).

6. Den Wasserablaufschlauch vom Abwasserrohr oder von dem Bodenablauf trennen und die Mutter auf den Wasserablauf aufziehen.
7. Die Tür offen lassen, um ausreichende Luftzirkulation zu gewährleisten und das Gerät gegen Schimmelpilz zu schützen.
8. Der Wasserzulaufschlauch und Stromkabel sollen bis zur nächsten Verwendung ausgeschaltet sein.
9. Das Gerät von innen abtrocknen und das Außengehäuse abwischen.
10. Das Gerät mit einer Folie versehen, um dieses vor Staub und Schmutz zu schützen.

---

## Reinigung und Benutzerwartung

**WARNUNG:** Benutzen Sie niemals alkoholhaltige Mittel oder Sprays zur Reinigung und Desinfektion der Eiswürfelmaschine. Sie können die Kunststoffteile (Gehäuse und Bedienfeld) beschädigen. Der Kondensator soll mindestens einmal im Jahr vom qualifizierten Fachmann kontrolliert und gereinigt werden, damit das Gerät richtig funktioniert. Reinigen Sie das Gerät mit dem Wasserstrahl.

**ACHTUNG:** Sollte das Gerät nach längerer Nutzungspause wieder in Betrieb genommen werden, reinigen Sie es vor dem nächsten Gebrauch gründlich. Beachten Sie genau die Reinigungsanleitung und Hinweise zur Verwendung von Desinfektionsmitteln. Nach der Reinigung das Gerät gründlich mit klarem Wasser nachreinigen.

Die zyklische Reinigung und richtige Wartung sichert die Leistungsfähigkeit, einwandfreie Funktion, entsprechende Hygiene sowie die Lebensdauer des Gerätes. Vernünftige Zeitabstände zwischen den Wartungszyklen sind einzuhalten. Falls Sie Haustiere haben oder das Gerät außen installieren oder andere spezielle Gründe auftreten, ist die Verkürzung dieser Zeitabstände angezeigt.

Beachten Sie bitte, dass nur Eis im Eisbehälter aufbewahrt werden kann. Solche Gegenstände wie Wein- und Bierflaschen sind unhygienisch und die aufgebrachten Flaschenetiketten können nach der Ablösung das Wasserablaufrohr blockieren.

---

## Reinigung des Außengehäuses

Die Tür und der Schrank können nur mit einem milden Reinigungsmittel und warmem Wasser gereinigt werden. Benutzen Sie niemals Lösungsmittel, ätzende Mittel und die Reinigungsmittel, die die Oberfläche zerkratzen können. Das Gerät mit einem weichen Tuch reinigen und anschließend gründlich mit reinem Wasser nachspülen und abtrocknen.

**ACHTUNG:** Die Modelle aus Edelstahl, die mit Gas oder Feuchtigkeit (Chlorgehalt, wie z.B. in der Nähe von Schwimmhalle oder Schönheitssalon) in Kontakt kommen, können verfärben. Diese Verfärbung ist aber ein normaler Effekt.



## Reinigung der Innenseite

### Eiswürfelbehälter

Der Eiswürfelbehälter soll ab und zu desinfiziert werden. Vor dem Erstgebrauch oder nach längerem Nichtgebrauch soll der Eiswürfelbehälter gereinigt werden. Nehmen Sie den leeren Eiswürfelbehälter heraus und desinfizieren Sie ihn mit einem Desinfektionsmittel.

1. Eiswürfelmaschine von der Steckdose trennen (Netzstecker ziehen!).
2. Die Tür öffnen und die Innenseite mit einem feuchten Tuch reinigen. Verwenden Sie dazu eine Desinfektionslösung von 28 Gramm Bleichmittel oder Chlor und 7,5 Liter Heißwasser.

3. Mit klarem Wasser gründlich nachspülen. Das Schmutzwasser wird durch die Abflussleitung abgeleitet.

4. Den Netzstecker einstecken und das Gerät erneut einschalten.

Die Eisschaufel soll wie andere Lebensmittelbehälter regulär gereinigt werden.

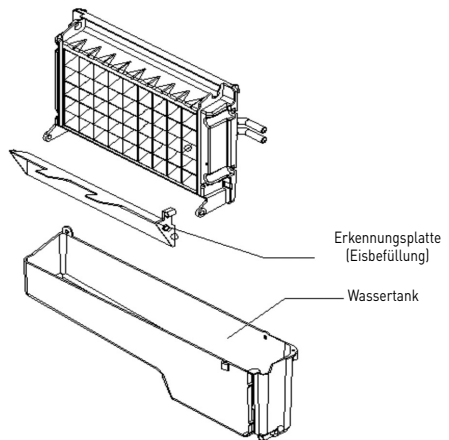
**WARNUNG:** Verwenden Sie keine ätzenden Mittel sowie keine Lösungs- und Reinigungsmittel, die die Oberfläche des Geräts beschädigen können. Sie können den Geschmack des hergestellten Eises verändern.

### Reinigen von Teilen, die das Eis produzieren

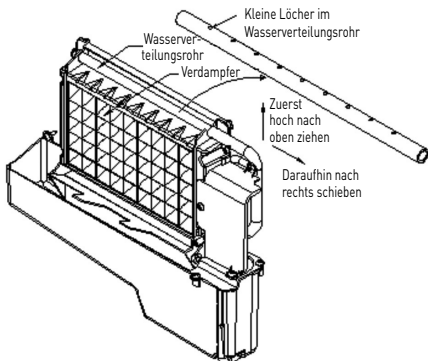
Während der Verwendung sollen Sie periodisch die Haupteinheit der Eiswürfelmaschine reinigen.

1. Wiederholen Sie bitte die oben genannten Schritte, um den Wassertank und andere Teile der Innenausrüstung zu reinigen.
2. Zusätzlich reinigen Sie das Verdampfer-Wasserverteilungsrohr. Demontieren Sie diesen Teil und reinigen Sie gründlich jede Öffnung (siehe untenstehende Abbildung). Überprüfen Sie, ob das Rohr nicht blockiert ist und bauen Sie es wieder ein.
3. Wenn auf der Verdampfer-Oberfläche Eiswürfel sind, die man nicht abmachen kann, bitte keine Kraft benutzen, sondern die **0**-Taste länger als 5 Sekunden gedrückt halten und das Gerät startet die Abtauphase: die Eiswürfel fallen selbst ab. Schalten Sie das Gerät aus und trennen Sie es von der Steckdose, um die Oberfläche des Verdampfers zu reinigen.

4. Wassertank und Platte für die Erkennung der Befüllung des Eiswürfelbehälters



Der Wassertank und die Erkennungsplatte sind in Hinsicht auf die Hygiene der Eiswürfel auch von Bedeutung. Füllen Sie das saubere Spritzgerät mit neutralem Reinigungsmittel und Wasser nach und bespritzen Sie dann die ganze Innenseite des Wassertanks und der Erkennungsplatte. Wischen Sie sorgfältig mit einem sauberen, trockenen Tuch ab. Das Abflussrohr (in der Abbildung als H gekennzeichnet) herausnehmen, um das Schmutzwasser vom Wassertank ablaufen lassen. Das Abflussrohr wieder auf die ursprüngliche Stelle anbringen.



**Entsorgen Sie bitte den ersten Eiswürfel, die nach der Reinigung hergestellt wurde.**

## Entkalken

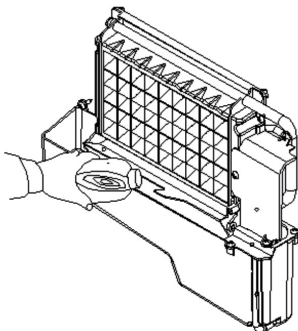
Ein zu hoher Mineraliengehalt kann beim Gefrierzyklus zur Kalkablagerung im Wassersystem führen. Es ist dann notwendig, die Kalkablagerung durch regelmäßiges Entkalken zu verhindern. Je nach der Härte des Wassers und der Häufigkeit der Verwendung (Härte von 4 bis 5 pro Liter) sollen Sie den Prozess regelmäßig alle 6 Monate wiederholen. Der Prozess hängt von der Härte des Wassers ab.

1. Die Maschine ausschalten. Nicht von der Wasserversorgung und -kanalisation trennen. Die Hauptwasserquelle zudrehen.
2. Die Tür öffnen und mit Hilfe von Eisschaufel alle Eiswürfel entfernen und im Kühlschrank/Gefrierfach aufbewahren oder entsorgen.
3. Vorbereitung der Reinigungslösung, vermischen Sie das Reinigungsmittel Nu-Calgon Nickle Safe Ice Machine Cleaner mit Wasser.

**WARNUNG:** Vor dem Reinigen mit dem Reinigungsmittel sind die Handschuhe zu tragen und Schutzbrille aufzusetzen.

Im einem über 4 Liter Plastik- oder Edelstahlimer die Lösung für die Entkalkung vorbereiten, in dem Sie 300 ml Nu-Calgon Nickle Safe Ice-machine Cleaner mit 2,8 Liter Warmwasser, dessen Temperatur ca. 50-60°C beträgt, vermischen. Dann teilen Sie die Mischung in zwei gleiche Teile. Gießen Sie sie in zwei Becher hinein. Halten Sie die vorbereitete Mischung in beiden Bechern auf gleicher Temperatur.

4. Vergewissern Sie sich, dass das Wasserbehälter-Abflussrohr in der Öffnung der Wassertankwand richtig befestigt wird. Gießen Sie einen Becher der Mischung von Nickel-Safe Ice Maker Cleaning Solution in den Wassertank hinein und warten Sie 5 Minuten ab.



5. Die Energieversorgung einschalten und länger als 5 Sekunden die "Clean"-Taste auf dem Bedienfeld gedrückt halten, um das Selbstreinigungsprogramm zu starten. Während dieses Prozesses leuchtet die "Clean"-Leuchte auf und das Display zeigt die übrig gebliebene Zeit an.
6. Nach der Beendigung des ganzen Selbstreinigungsvorgangs ziehen Sie das Abflussrohr aus dem Wassertank heraus, lassen Sie das Lösungsmittel in ein geeignetes Gefäß abfließen. Das Gerät leicht schütteln, um das ganze Wasser zu entfernen. Daraufhin ist das Ablaufrohr in den Wassertank anzubringen.
7. Wiederholen Sie bitte Schritte von 4 bis 6, um erneut die Eismaschine zu reinigen.

**WARNUNG:** Das Reinigungsmittel enthält Säure. ES IST VERBOTEN, das Reinigungsmittel NICHT mit anderen Mittel zu verwenden oder zu vermischen. Unbedingt die Gummihandschuhe tragen. Machen Sie sich mit den Sicherheitshinweisen auf der Verpackung des Reinigungsmittels genau vertraut.

8. Die Hauptwasserquelle aufdrehen und das Wasser fließen lassen. Wieder die "TIMER/CLEAN"-Taste länger als 5 Sekunden auf dem Bedienfeld gedrückt halten, um das Selbstreinigungsprogramm zu starten. Dieser Vorgang hat das Abspülen des Verteilungsrohres, des Verdampfers, der Wasserpumpe, des Silikonrohres und des Wassertanks usw. zum Ziel.
9. Nach der Beendigung des ganzen Selbstreinigungsprozesses ziehen Sie das Abflussrohr aus dem Wassertank heraus, lassen Sie das Lösungsmittel in ein geeignetes Gefäß abfließen. Das Gerät leicht schütteln, um das ganze Wasser aus dem Gerät zu entfernen. Daraufhin ist das Ablaufrohr in den Wassertank dicht anzubringen.
10. Wiederholen Sie bitte zweimal alle Schritte, die in den Punkten 8-9 beschrieben sind.
11. Gemäß dem oben genannten Programm reinigen Sie den Eiswürfelbehälter.
12. Die erste Partie der Eiswürfel nach der Reinigung wegwerfen.

## Hinweise bezüglich Reinigung

### 1) TÄGLICHE REINIGUNG

Eisschaufel, Tür, Eisbehälter, Verteilungsrohr sind jeden Tag zu reinigen. Am Ende des Tages spülen Sie die Eisschaufel ab und reinigen Sie die Tür von den beiden Seiten mit sauberem Tuch.

### 2) REINIGUNG JEDE ZWEI WOCHEN

Eisschaufel, Eisbehälter, Wassertank, Erkennungsplatte und Oberfläche des Verdampfers sind jede zwei Wochen zu reinigen. Beachten Sie

bitte die Hinweise zur Reinigung der Innenteile des Gerätes.

### 3) 6 MONATE - REINIGUNG

Alle Teile, die mit Wasser und Eiswürfel in Berührung kommen, wie Eisbehälter, Wassertank, Tür, Verdampfer, Wasserpumpe, Silikonrohr, Verteilungsrohr usw. sind alle 6 Monate **mit einem Nu-Calgon Nickle Safe Ice-machine Cleaner zu reinigen**.

## Beseitigung von Störungen

Störung	Mögliche Ursache	Beseitigung
Die Wasserstandsanzeige „WASSER NACHFÜLLEN“ leuchtet auf	Kein Wasserzufluss	Prüfen Sie den Druck der Hauptwasserquelle oder ob der Schlauch des Wasserzuflusses nicht blockiert ist, nach Bedarf den Wasserdruck erhöhen oder den Schlauch reinigen.
	Schwimmerschalter für Wasserstandsanzeige ist blockiert und funktioniert nicht	Wassertank und Schalter reinigen.
	Wasser fließt aus dem Wassertank aus.	Die Eiswürfelmaschine auf einer ebenen Fläche aufstellen.
	Wasser läuft aus dem Abflussrohr aus.	Das Rohr herausnehmen und erneut richtig in die Öffnung des Wassertanks hineinstecken.
Die Wasserstandsanzeige „WASSER NACHFÜLLEN“ blinkt	Entweder der Wasserzulaufschlauch beschädigt ist oder das Wasser sehr langsam zufließt.	Den Druck der Hauptwasserquelle überprüfen oder prüfen, ob der Wasserzulaufschlauch nicht blockiert ist und nach Bedarf den Wasserdruck erhöhen oder den Schlauch reinigen.
Wasserpumpe arbeitet, aber aus dem Wasserverteilungsrohr kein Wasser kommt	Kleine Löcher im Wasserverteilungsrohr wurden verstopft.	Die Löcher reinigen.
Die Durchsichtigkeit der Eiswürfel ist nicht befriedigend genug.	Niedrige Wasserqualität	Wasserquelle ändern oder einen Enthärtungsfilter verwenden.
Die Form des Eiswürfels ist unregelmäßig	Schlechte Wasserqualität oder hohe Verschmutzung des Wassertanks	Wassertank reinigen und mit frischem Wasser befüllen.
	Einige Löcher des Wasserverteilungsrohres sind blockiert	Das Rohr reinigen und beachten, dass alle 9 Löcher durchlässig sind.
Eiswürfel ist sehr dünn	Die Umgebungstemperatur im Wassertank ist zu hoch.	Das Gerät am Ort mit niedriger Temperatur stellen oder jede Eisherstellungszeit verlängern.
	Luftzirkulation um das Gerät ist zu schwach.	Mindestens 20 Zentimeter Abstand zwischen Vorder- und Hinterseite des Gerätes und dem Gegenstand sicherstellen.
Die Eiswürfel sind zu groß	Die Umgebungstemperatur im Wassertank ist zu klein.	Jeden Eiswürfelproduktionsvorgang verkürzen.
Leuchtet die Anzeige "Full" auf	Eiswürfelbehälter ist bis zum Rand mit Eiswürfeln gefüllt.	Einige Eiswürfel entfernen.
Der Eiswürfelproduktionsvorgang ist normal, aber es werden keine Eiswürfel produziert.	Die Wassertemperatur im Wassertank oder die Umgebungstemperatur ist zu hoch	Eiswürfelmaschine unter 32°C betreiben und kälteres Wasser in den Wassertank einfüllen.
	Eine Leckstelle im Kühlsystem	Unbedingt von Fachpersonal reparieren lassen.
	Die Rohrleitung im Kühlsystem ist blockiert.	Unbedingt von Fachpersonal reparieren lassen.

---

## Fehler-anzeigen

E1: Ausfall des Umgebungstemperatursensors

E2: Wenn der Eiswürfelproduktionsvorgang länger als 35 Minuten dauert, wird das Gerät automatisch ausgeschaltet. Wenn es zu einem Ausfall kommt oder das Kältemittel fehlt, wird das Gerät auf diese Art und Weise geschützt.

---

## Garantie

Alle innerhalb von einem Jahr nach dem Kaufdatum festgestellten Defekte oder Mängel, die die Funktionalität des Gerätes beeinträchtigen, werden auf dem Wege der unentgeltlichen Reparatur bzw. des Austausches unter der Voraussetzung beseitigt, dass das Gerät in einer der Bedienungsanleitung gemäßen Art und Weise betrieben und gewartet wird und weder vorsätzlich vernichtet noch nicht bestimmungsgemäß genutzt wurde. Ihre Rechte aus den entsprechenden Gesetzen

bleiben davon unberührt. Eine in der Garantiefrist einzureichende Beanstandung hat die Angabe des Kaufortes und Kaufdatums und in der Anlage einen Kaufbeleg (z.B. Kassenzettel) zu enthalten.

Gemäß unserer Politik der ständigen Weiterentwicklung unserer Produkte behalten wir uns vor, Änderungen am Produkt, an seiner Verpackung und an den dokumentierten technischen Daten ohne vorherige Ankündigung vorzunehmen.

---

## Entsorgung und Umweltschutz

Wird das Gerät außer Betrieb genommen, darf es nicht über den Hausmüll entsorgt werden. Der Benutzer ist für die Übergabe des Gerätes an eine geeignete Sammelstelle für Altgeräte verantwortlich. Die Nichteinhaltung dieser Regel kann gemäß den geltenden Vorschriften über die Abfallentsorgung bestraft werden. Die getrennte Sammlung und das Recycling der Altgeräte trägt zur Schonung der natürlichen Ressourcen bei und sorgt für eine

umwelt- und gesundheitsschonende Verwertungsweise.

Weitere Informationen darüber, wo Sie Ihre Altgeräte entsorgen können, erhalten Sie bei Ihrem örtlichen Entsorgungsunternehmen. Der Hersteller und der Importeur übernehmen keine Verantwortung für das Recycling sowie die umweltfreundliche Verwertung von Abfällen, weder direkt noch über ein öffentliches System.

Geachte klant,

Bedankt voor de aanschaf van dit Arktic apparaat. Lees deze handleiding zorgvuldig door, met bijzondere aandacht voor de onderstaande veiligheidsvoorschriften, voordat u dit apparaat voor de eerste keer installeert en gebruikt.

---

## Veiligheidsvoorschriften

- Dit apparaat is bedoeld voor buffet en huishoudelijk gebruik.
- Gebruik het apparaat alleen voor het beoogde doel waarvoor het is ontworpen, zoals beschreven in deze handleiding.
- De fabrikant is niet aansprakelijk voor enige schade veroorzaakt door onjuist gebruik en onjuist gebruik.
- Houd het apparaat en de stekker uit de buurt van water en andere vloeistoffen. Als het apparaat in water valt, haal dan onmiddellijk de stekker uit het stopcontact. Gebruik het apparaat niet totdat het is gecontroleerd door een gecertificeerde technicus. Het niet volgen van deze instructies zal levensbedreigende risico's veroorzaken.
- Probeer nooit de behuizing van het apparaat zelf te openen.
- Plaats geen objecten in de behuizing van het apparaat.
- Raak de stekker niet aan met natte of vochtige handen.
- ⚡ **GEVAAR VOOR EEN ELEKTRISCHE SCHOK!** Probeer het apparaat niet zelf te repareren, reparaties mogen alleen worden uitgevoerd door gekwalificeerd personeel.
- **Gebruik nooit een beschadigd apparaat!** Wanneer het apparaat beschadigd is, koppelt u het apparaat los van het stopcontact en neemt u contact op met de detailhandelaar.
- **WAARSCHUWING!** Dompel de elektrische onderdelen van het apparaat niet onder in water of andere vloeistoffen.
- Houd het apparaat nooit onder stromend water.
- Controleer regelmatig de stekker en het snoer op eventuele schade. Bij beschadiging moet het worden vervangen door een serviceagent of een gelijkwaardig gekwalificeerd persoon om gevaar of letsel te voorkomen.
- Zorg ervoor dat het snoer niet in contact komt met scherpe of hete voorwerpen en houd het uit de buurt van open vuur. Trek nooit aan het netsnoer om het uit het stopcontact te halen, trek altijd aan de stekker.
- Zorg ervoor dat het netsnoer en/of het verlengsnoer geen struikelgevaar veroorzaken.
- Laat het apparaat nooit onbeheerd achter tijdens het gebruik.
- **WAARSCHUWING!** Zolang de stekker in het stopcontact zit, is het apparaat aangesloten op de stroombron.
- Schakel het toestel uit voordat u het uit het stopcontact haalt.
- Sluit de stekker aan op een gemakkelijk toegankelijk stopcontact, zodat het apparaat in geval van nood onmiddellijk kan worden losgekoppeld.
- Draag het apparaat nooit bij het snoer.
- Gebruik geen extra apparaten die niet samen met het apparaat worden geleverd.
- Sluit het apparaat alleen aan op een stopcontact met de spanning en frequentie vermeld op het etiket van het apparaat.

- Gebruik nooit andere accessoires dan die welke door de fabrikant worden aanbevolen. Als u dit niet doet, kan dit een veiligheidsrisico vormen voor de gebruiker en kan het apparaat beschadigen. Gebruik alleen originele onderdelen en accessoires.
- Dit apparaat mag niet worden gebruikt door personen met verminderde fysieke, zintuiglijke of mentale vermogens, of personen met een gebrek aan ervaring en kennis.
- Dit apparaat mag in geen geval door kinderen worden gebruikt.
- Houd het apparaat en het netsnoer buiten het bereik van kinderen.
- **WAARSCHUWING:** schakel het apparaat **ALTIJD** uit en haal de stekker uit het stopcontact voor reiniging, onderhoud of opslag.

## Bijzondere veiligheidsvoorschriften

- Het apparaat is uitsluitend bestemd voor huishoudelijke en vergelijkbare toepassingen, zoals
  - 1) Personeelskeukens bij winkels, kantoren en andere werkomgevingen.
  - 2) Bij boerderijen en door gasten van hotels, motels en andere soorten woonomgevingen.
  - 3) Omgevingen zoals logies met ontbijt.
  - 4) Catering en vergelijkbare niet-detailhandelstoepassingen.
- Dit apparaat moet in de keuken van restaurants, kantines, bars enz. door opgeleid personeel worden bediend.
-  **VOORZICHTIG! Heet oppervlak!** Het oppervlak is heet wanneer het apparaat wordt ikt.  
Raak alleen het bedieningspaneel aan.
-  **VOORZICHTIG!Risiko op brand!** Het in dit apparaat gebruikte koelmiddel is R290. Het is een zeer brandbaar koelmiddel. Het schuimblaasmiddel dat in dit apparaat wordt gebruikt is Cyclopentaan. Dit is zeer brandbaar.
- Plaats het apparaat niet op een verwarmingstoestel (benzine-, elektrische, houtskoolkookplaat enz.). Houd het apparaat uit de buurt van enige hete oppervlakken en open vuur. Gebruik het apparaat altijd op een vlak, stabiel, schoon, hittebestendig en droog oppervlak.
- Dit apparaat is er niet voor bestemd om het te laten werken door middel van een externe timer of een apart afstandsbediend systeem.
- **WAARSCHUWING:** Houd alle ventilatieopeningen in de behuizing van het apparaat vrij van belemmeringen.
- **WAARSCHUWING:** Gebruik geen mechanische apparaten of andere middelen om het ontdooien te versnellen, anders dan door de fabrikant worden aanbevolen.
- **WAARSCHUWING:** Beschadig het koelcircuit niet.
- **WAARSCHUWING:** Vul het apparaat uitsluitend met drinkwater.
- Bewaar geen explosieve stoffen, zoals spuitbussen met brandbare drijfgassen, in dit apparaat.
- Laat tijdens het gebruik ten minste 20 cm ruimte om het apparaat vrij voor ventilatiedoelinden.

- Gebruik geen hard keukengerei om tegen het buitenste oppervlak te slaan. Gebruik geen waterstraal, spuit niet direct met water of een stoomreiniger, omdat de onderdelen dan nat worden, wat elektrische schokken tot gevolg kan hebben.
- Stel het niet bloot aan direct zonlicht. Vermijd mechanische schokken en trillingen.
- Verplaats of transporteer het apparaat altijd rechtop, omdat het apparaat anders kan beschadigen.
- **LET OP!** Voer indien nodig het netsnoer op veilige wijze, om te voorkomen dat er onbedoeld aan wordt getrokken of het in contact komt met verwarmingsoppervlakken.
- Laat het apparaat volledig afkoelen voordat u het reinigt of opbergt.
- Er zijn geen onderdelen vaatwasserbestendig.

## BELANGRIJK:

De draden in dit netsnoer zijn gekleurd volgens de volgende codering:

Groen/geel:	Aarde
Blauw:	Neutraal
Bruin:	Fase

Omdat de kleur van de draden in het netsnoer mogelijk niet overeenkomt met de markeringen op de aansluitpunten in de stekker, moet u als volgt te werk gaan:

De groen/geel draad moet worden aangesloten op het aansluitpunt in de stekker dat is gemarkeerd met de letter E, G of met een symbool of het aansluitpunt dat een groen/geel kleur heeft.

De blauwe draad moet worden aangesloten op het aansluitpunt dat is gemarkeerd met de letter N.

De bruine draad moet worden aangesloten op het aansluitpunt dat is gemarkeerd met de letter L.

**OPMERKING:** De ijsblokjes die worden gemaakt zitten aan elkaar vast en moeten vóór gebruik worden losgemaakt.

---

### Bedoeld gebruik

- Dit apparaat is bedoeld voor buffet en huishoudelijk gebruik.
- Dit apparaat is uitsluitend bestemd voor het maken van ijsblokjes. Elk ander gebruik kan leiden tot schade aan het apparaat of lichamelijk letsel.
- Gebruik van het apparaat voor andere doeleinden wordt beschouwd als verkeerd gebruik van het apparaat. De gebruiker is volledig aansprakelijk voor alle risico's die voortvloeien uit verkeerd gebruik van het apparaat.

---

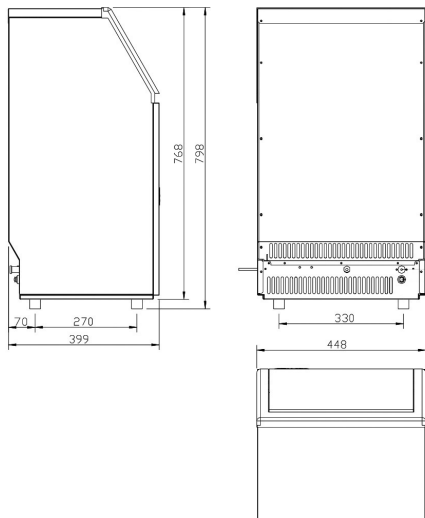
### Aarding installatie

Dit apparaat is geclassificeerd als **beschermingsklasse I** en moet op een beschermende grond worden aangesloten. Aarding vermindert het risico op elektrische schokken door een ontsnappingsdraad voor de elektrische stroom aan te bieden. Dit ap-

paraat is uitgerust met een netsnoer met een aardingsdraad en geaarde stekker. De stekker moet worden aangesloten op een stopcontact dat correct is geïnstalleerd en geaard.

## Specificaties

### 1) Afmetingen/Aansluitingen



### 2) Rating

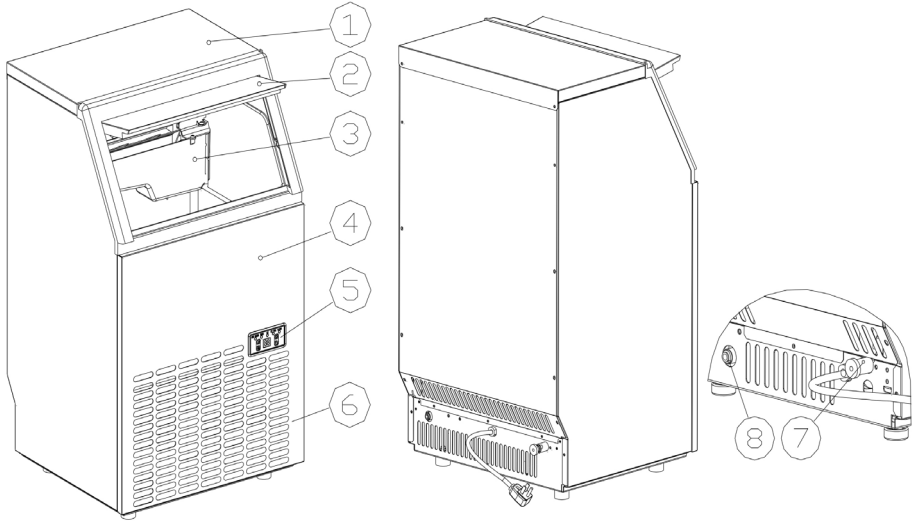
<b>Artikelnr.</b>	<b>271575</b>
Bedrijfsspanning en frequentie	220-240V~ /50Hz
Nominale stroom	2,2A
Nominaal ingangsvermogen	280W
Gebruikt koelmiddel en aantal insputingen	R290 / 95g
Klimaatklasse	SN-T
Ontvlambaar schuimmiddel	Cyclopentaan
Beschermingsklasse	klasse I
Bedrijfsvoorwaarden	Omgevingstemperatuur 10°C ~ 38°C Watertoevoertemp 5°C ~ 35°C Watertoevoerdruk 0,04 ~ 0,6 MPa
Netto gewicht (ongeveer)	27kg
Afmetingen	448x400x(H)798mm

**Opmerking:** De technische specificatie zijn onderworpen aan wijzigingen zonder voorafgaande kennisgeving.



## Technische specificaties

### 1) Constructie hoofdapparaat

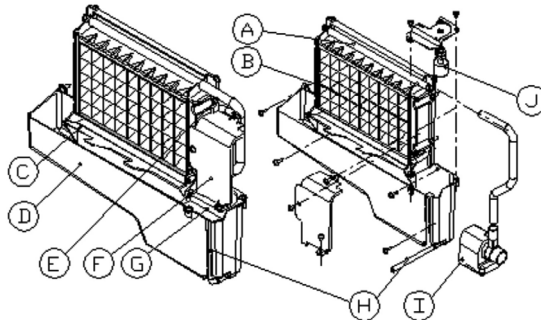


1. Bovenklep
2. Deur
3. Assemblage ijsproductiesysteem & waterreservoir
4. Voorpaneel
5. Bedieningspaneel
6. Luchtuitlaat: Zorgt voor goede luchtcirculatie, warme lucht wordt naar buiten geblazen als het apparaat in bedrijf is.

7. Waterafvoerpoort.
8. Watertoevoerpoort.

Accessoires: Witte waterafvoerbuys van 2 meter, aansluiting voor waterkraan, witte watertoevoerbuys van 3 meter ( $\varnothing$  6.35mm).

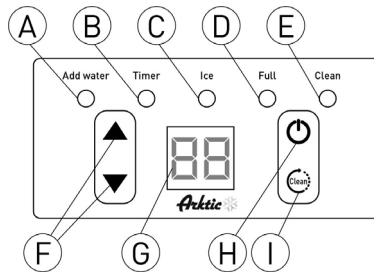
NL



- A. Waterverdeelbuis: met negen kleine gaatjes, er stroomt water uit deze kleine gaatjes.
- B. Verdamp(er) (ijsproductiemodule).
- C. IJsdetectiebord.
- D. Waterreservoir
- E. Watertoevoerbuys.

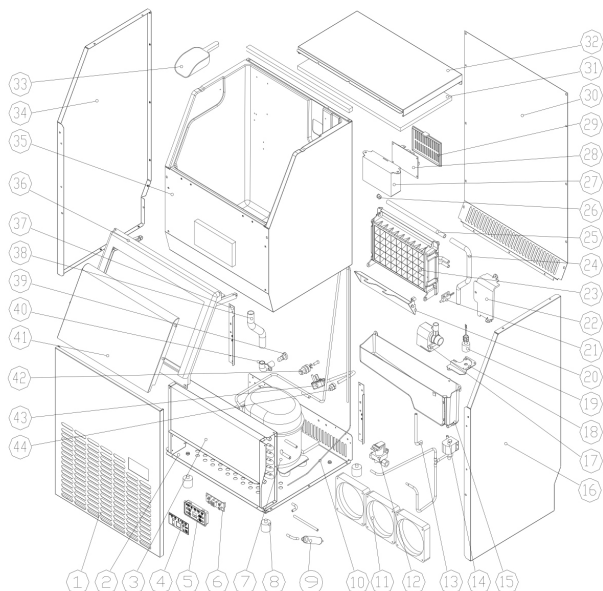
- F. Afdekplaat op rechterkant van de verdamp(er).
- G. Installatieplaat voor schakelaar waterpeil.
- H. Waterafvoerbuys van het waterreservoir.
- I. Waterpomp.
- J. Detectieschakelaar waterpeil.

## 2) Bedieningspaneel



- A. Lampje "Add water": Als het lampje knippert, geeft dit aan dat water te traag wordt bijgevuld; Als het lampje blijft branden, geeft het aan dat er geen water aanvoer is.
- B. Lampje "Timer": Als dit lampje brandt, geeft het aan dat de TIMER is ingesteld. De timer kan worden in- of uitgeschakeld met de knop clean/timer.
- C. Lampje "Ice": Als het lampje brandt, geeft het aan dat het apparaat ijs produceert; Als het lampje knippert, geeft het apparaat bezig is het met de "ijsoogst".
- D. Lampje "Full": Als het apparaat vol zit met ijsblokjes zal dit lampje oplichten.
- E. Lampje "Clean": Als dit lampje brandt, geeft het aan dat het reinigen van de waterpomp is gestart. Als het lampje knippert, is het reinigen van de waterpomp gestopt.
- F. Knop ▲, ▼: Gebruik deze knop om de duur van het ijsproductieproces in te stellen. De standaard instelling is nul, druk op ▲ of ▼ om de waarde met 1 minuut te verhogen of verlagen. U kunt de vertragingstijd van de timer ook met deze knop instellen. De standaardwaarde is nul, druk op ▲ of ▼ om de waarde te verhogen of verlagen met 1 uur.
- G. Display: Onder normale omstandigheden zal er altijd een cijfer in deze display worden getoond. Het cijfer geeft de omgevingstemperatuur aan; En als het nummer knippert, dan wordt de resterende tijd van het huidige proces in minuten getoond, bijv. van de ijsproductiecyclus of het zelfreinigingsprogramma.
- H. Knop "On/Off": Druk, als het apparaat is uitgeschakeld, op deze knop om het apparaat in te schakelen; Druk tijdens het zelfreinigingsprogramma, of het normale ijsproductieproces op de knop om het apparaat per direct uit te schakelen; Daarnaast kunt u ook op de knop drukken om de instelling van de timer te annuleren indien het apparaat is ingesteld met de timer. Als het apparaat ijsblokjes produceert, houd de knop dan langer dan 5 seconden ingedrukt om direct naar het ijsoogst proces te gaan..
- I. Knop "Timer clean": Druk kort een keer op deze knop om het timerprogramma te openen; Druk op deze knop voor 5 seconden wanneer de machine uit is om in het reiniging programma te komen.

## Onderdelenlijst



Nr.	Naam onderdeel	Aantal	Opmerkingen	Nr.	Naam onderdeel	Aantal	Opmerkingen
1	Voorpaneel	1		24	Wartoevoerbus	1	
2	Bodemplaat	1		25	Waterverdeelbus, met negen gaten	1	
3	Condensator	1		26	Dop van waterverdeelbus	1	
4	Papier bedieningspaneel	1		27	Elektrische PCB-box	1	
5	PCB-box bedieningspaneel	1		28	PCB hoofdbediening	1	
6	PCB bedieningspaneel	1		29	Omhuysel PCB hoofdbediening	1	
7	Compressor	1		30	Plaat achterkant	1	
8	Verstelbare voet	4		31	Isolatiespons van de bovenklep	1	
9	Droog filter	1		32	Bovenklep	1	
10	Capillair	1		33	Ijsschep	1	
11	DC-ventilator	3		34	Plaat linkerkant	1	
12	Wartoevoerklep	1		35	Schuim binnenkast & ijsopslagbak	1	
13	Waterafvoerbus van het waterreservoir	1		36	Deurkozijn	1	
14	Elektromagnetische klep ijsoogst	1		37	Versterkte plaat achterkant	1	
15	Waterreservoir	1		38	Waterafvoerbus van de binnenkast	1	
16	Plaat rechterkant	1		39	Waterafvoerdop	1	
17	Watercirculatiepomp	1		40	Waterafvoerpoort	1	
18	Deksel van het waterreservoir	1		41	Deur	2	
19	Detectieschakelaar waterpeil	1		42	Wartoevoerpoort	1	
20	Ijsdetectieplaat	1		43	Netsnoer	1	
21	Magnetische schakelaar	4		44	Klem van netsnoer	1	
22	Afdekplaat op rechterkant van de verdamper	1		45	Bedrading	1	
23	Verdamper en frame verdamper	1					

## Uw ijsmaker Uitpakken

1. Verwijder al het verpakkingsmateriaal. Controleer of alle accessoires, inclusief de handleiding, ijschep, witte watertoevoerslang, 4-weg-naar-2-weg watersnelkoppeling en waterafvoerslang, etc. in de verpakking zitten. Als er onderdelen ontbreken, neem dan contact op met onze klantenservice.
2. Bewaar de verpakking als u uw apparaat in de toekomst wilt opbergen.
3. Verwijder de tape voor het vastzetten van de deur en de binnenkast, ijschep, etc. Reinig de binnenkast & ijschep met een natte doek.
4. Plaats de ijsmaker op een vlakke ondergrond, zonder direct zonlicht en andere warmtebron-

nen (bijv.: kachel, oven, radiator). Zorg ervoor dat er ten minste 20cm ruimte is tussen de luchtuitlaat en obstakels, en ten minste 5cm tussen de linker-/rechterkant en de wand.

5. Laat de koelvloeistof 4 uur rusten voordat u de stekker van de ijsmaker in het stopcontact steekt, omdat het mogelijk is dat het apparaat ondersteboven is getransporteerd.
6. Het apparaat moet zo worden geplaatst dat de stekker altijd bereikbaar is.

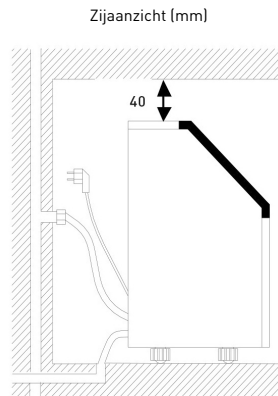
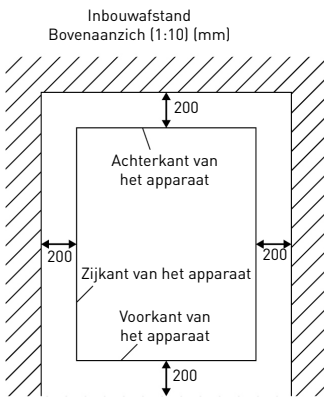
**WAARSCHUWING:** Gebruik alleen drinkwater om ijs te maken.

## Eisen installatielocatie

- a) Zorg voor een juiste kamertemperatuur en watertoevoertemperatuur volgens de bovenstaande specificatietabel. Als u dit niet doet, kan dit de prestaties van de ijsmaker beïnvloeden.
- b) Dit apparaat mag niet in de buurt van een warmtebron worden geplaatst.
- c) Het apparaat moet op een stevige en vlakke onder-

grond worden geplaatst op de hoogte van een normaal aanrechtblad.

- d) Er moet minimaal 200 mm vrije ruimte zijn rond het apparaat en 40 mm vanaf de bovenkant om een goede luchtventilatie te behouden.
- e) Plaats geen voorwerpen op de bovenkant van de ijsmaker.



Als u de ijsmaker onder een aanrecht installeert, volg dan de aanbevolen afstanden zoals in de afbeeldingen hierboven getoond. Plaats het netsnoer en de leidingen voor de watertoevoer en -afvoer zoals hierboven getoond.

Kies een goed geventileerde ruimte met een temperatuur tussen de 10°C en 32°C. Dit apparaat MOET worden geïnstalleerd in een ruimte be-

schermd tegen elementen zoals wind, regen en waterdruppels.

De ijsmaker vereist een continue watertoevoer met een druk van 0,4-6 Bar zoals aangegeven in de bovenstaande specificatietabel. Voor correct gebruik moet de temperatuur van het water dat in de ijsmachine loopt een temperatuur hebben tussen de 5°C en 25°C.

## Elektrische eisen & aansluitingen

**WAARSCHUWING:** DIT APPARAAT MOET GEAARD ZIJN.

- Voordat u uw ijsmachine verplaatst naar zijn uiteindelijke locatie, is het belangrijk dat u over een geschikte elektrische aansluiting beschikt.

- Als het netsnoer of de stekker moet worden vervangen, laat dit dan uitvoeren door een erkend onderhoudsmonteur.
- Dit apparaat vereist een standaard 220-240 Volt, 50Hz geaard stopcontact.

## Uw ijsmachine reinigen voor het eerste gebruik

1. Open de deur.
2. Reinig met verdund schoonmaakmiddel, warm water en een zachte doek.
3. Reinig herhaaldelijk de onderdelen aan de binnenkant die in contact komen met water, u kunt aan de waterafvoerslang van het waterreservoir, aangegeven met "H" in de afbeelding hierboven, trekken om het reinigingswater uit het waterreservoir te laten lopen, reinig daarna de binnenkast voor de opslag van ijs. Laat daarna al het reinigingswater uit de waterafvoer op de achter-

kant van het apparaat lopen. Plaats de waterafvoerslang en de dop van de waterafvoerbuis terug, anders zal het apparaat niet naar behoren werken. Gooi de eerste ijsblokjes na het reinigen weg.

4. De buitenkant van de ijsmachine moet regelmatig worden gereinigd met een mild schoonmaakmiddel en warm water.
5. Droog de binnen- en buitenkant met een schone, zachte doek.

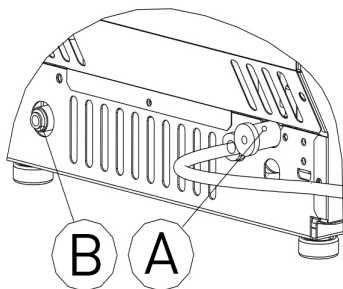
## Wateraansluiting voor uw ijsmaker

**BELANGRIJK:** Zorg ervoor dat u de nieuwe slangen gebruikt die zijn meegeleverd met het apparaat.

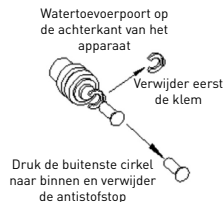
De watertoevoerslang aansluiten op het apparaat

Stap 1: Verwijder eerst de klem van de watertoevoerspoort (aangegeven met "B" in de volgende afbeelding) op de achterkant van het apparaat. Verwijder de antistofstop.

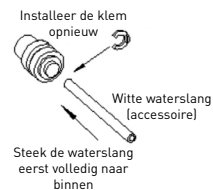
Stap 2: Steek een uiteinde van de witte waterslang in de watertoevoersluiting, druk de slang volledig naar binnen en installeer de klem opnieuw. Het aansluiten van de waterslang is voltooid.



STAP 1: Verwijder de antistofstop



STAP 2: Steek de waterslang erin



## De waterafvoerbuis aansluiten

Verwijder de zwarte dop van de waterafvoer van het toestel, sluit de witte waterafvoerslang die is mee-

geleverd met de accessoires aan op het apparaat en sluit het andere uiteinde aan op het riool.

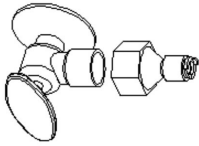
## Sluit de waterslang aan op de waterkraan van de waterleiding

De meegeleverde watersnelkoppeling moet op een kraan worden geschroefd; verwijder de klem van de watersnelkoppeling, steek het andere uiteinde van de waterslang in de snelkoppeling en installeer

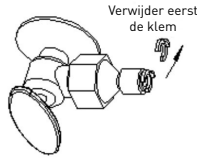
de klem opnieuw.

**Belangrijk:** De waterdruk of het watertoevoersysteem moet 0,04-05 MPa bedragen.

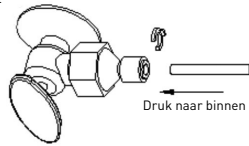
STAP 1: Snelkoppeling en waterkraan



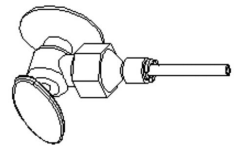
STAP 2: Schroef de snelkoppeling met de schroefdraad op de waterkraan en verwijder de klem



STAP 3: Steek de waterslang er volledig in



STAP 4: Installeer de klem opnieuw



## Het ijsproductieproces bedienen

1. Steek de stekker in het stopcontact nadat alle waterleidingen zijn aangesloten. Druk daarna op **⏻** op het bedieningspaneel om het ijsproductieproces te starten, het lampje "Ice" licht tegelijkertijd op. De display met het cijfer toont normaal gesproken de omgevingstemperatuur. De compressor, motor van de ventilator en waterpomp zijn ingeschakeld tijdens het ijsproductieproces.
2. Elk ijsproductieproces duurt ongeveer 11 tot 30 minuten, afhankelijk van de omgevingstemperatuur en de watertemperatuur.
3. Als het ijsproductieproces is voltooid, zal de machine naar het ijsoogst-proces schakelen. Het systeem detecteert tegelijkertijd het waterpeil. Als het waterpeil te laag is, zal het lampje "ADD WATER" beginnen te knipperen. Open de watertoevoerklep om extra water in het waterreservoir te laten lopen. Als het watertoevoerproces is voltooid zal het lampje "ADD WATER" weer doven.
4. Het apparaat stopt als de indicator "Full" begint te branden. Het apparaat zal 3 minuten nadat u voldoende ijsblokjes heeft verwijderd weer beginnen te werken.
5. Druk tijdens het ijsproductieproces op **▲** of **▼** om de duur van het ijsproductieproces in te stellen. Dit verandert de dikte van de ijsblokjes. De standaardinstelling is nul en u kunt de waarde van het proces met 1 minuut verhogen of verlagen door op **▲** of **▼** te drukken. 5 seconden na de laatste druk op de knop worden de nieuwe instellingen opgeslagen.
6. Slechte waterkwaliteit zorgt ervoor dat de ijsblokjes van slechte kwaliteit en minder transparant zijn.

**OPMERKING:** De ijsblokjes die worden gemaakt zitten aan elkaar vast en moeten vóór gebruik worden losgemaakt.

## Automatisch zelfreinigingsprogramma

Het zelfreinigingsprogramma starten: Steek de stekker, nadat u alle waterleidingen heeft aangesloten, in het stopcontact en druk langer dan 5 seconden op **⏻**. Het zelfreinigingsprogramma wordt nu gestart. Het lampje "Clean" licht op tijdens het reinigingsproces, het cijfer in de display toont de resterende tijd. Het zelfreinigingsprogramma neemt 30 minuten in beslag.

Het zelfreinigingsprogramma annuleren: Het duurt ongeveer 30 minuten om een zelfreinigingsprogramma te voltooien. Als het programma is voltooid, zal het systeem automatisch uitschakelen. U kunt ook op **⏻** op het bedieningspaneel drukken om het zelfreinigingsprogramma geforceerd te beëindigen.

## De timer instellen

De timer instellen: Druk als het apparaat is uitgeschakeld op de knop "Timer/Clean" om de tijd waarop het apparaat moet inschakelen in te stellen. Het lampje "Timer" licht op, het cijfer in de display knippert om aan te geven over hoeveel uur het apparaat zal inschakelen. Druk als het cijfer knippert op ▲ of ▼ om het aantal uren te verhogen of verlagen, de standaardinstelling is nul.

Vijf seconden na het instellen wordt de gewenste instelling opgeslagen.

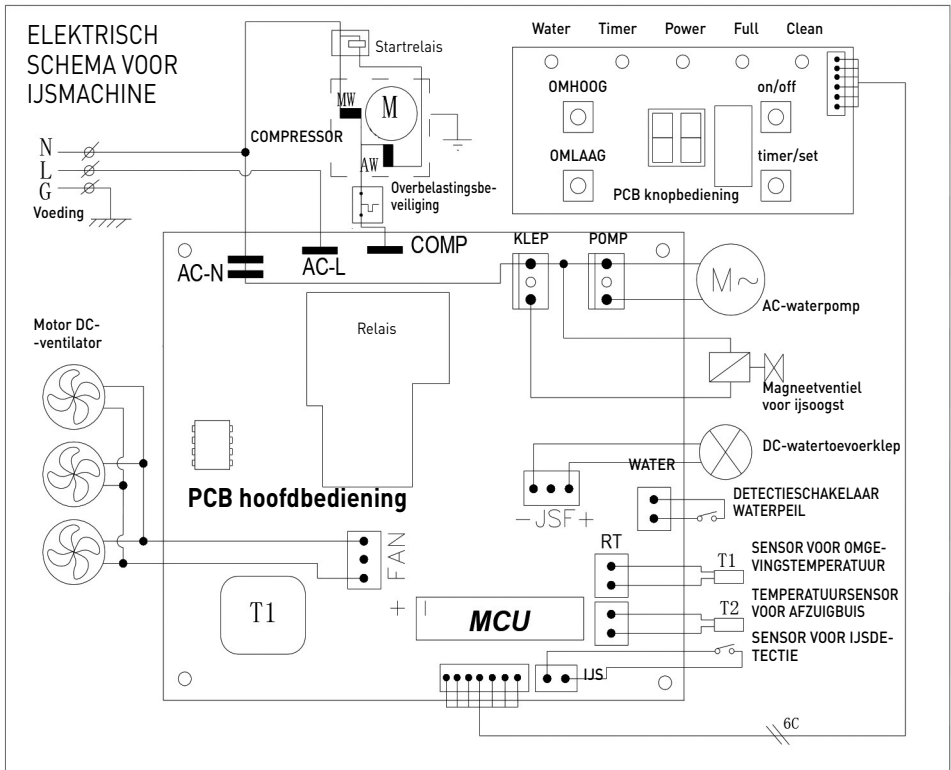
De inschakeltimer annuleren: Druk op "Timer/

Clean", het cijfer in de display knippert en toont de huidige vertragingstijd van de inschakeltimer. Druk nogmaals op de knop om de instelling te annuleren. U kunt de timer ook annuleren door op "⏻" te drukken.

De uitschakeltimer instellen: Druk als het apparaat is ingeschakeld op "Timer/Clean" om de tijd in te stellen waarop het apparaat moet uitschakelen. U kunt de tijd instellen door de stappen die hierboven al beschreven zijn te volgen.

De uitschakeltimer annuleren: Volg dezelfde procedure als de procedure voor het annuleren van de inschakeltimer.

## Bedradingschema



---

## Normale geluiden

Uw nieuwe ijsmachine kan geluiden maken waarmee u niet bekend bent. De meeste nieuwe geluiden zijn normaal. Harde oppervlakken zoals de vloer, wanden en kasten kunnen geluiden harder laten lijken dan ze in werkelijkheid zijn. Hieronder worden geluiden beschreven die nieuw voor u kunnen zijn en de oorzaak van het ontstaan van het geluid.

- U hoort elk cyclus een zoevend geluid als de waterklep opent om het waterreservoir te vullen.
- Er kunnen ratelende geluiden ontstaan door de stroming van water of koelmiddel.
- De high-efficiency compressor kan een pulserend of hoog geluid maken.
- Water dat van het waterreservoir naar de ver-

damer stroomt kan een spetterend geluid maken.

- Aan het einde van elk cyclus kunt u een gorgelend geluid horen doordat er koelmiddel in uw ijsmachine stroomt.
- Het is mogelijk dat u lucht hoort die door de ventilator van de condensator over de condensator wordt geblazen. Tijdens de oogstcyclus is het mogelijk dat u het geluid van ijsblokjes die in de ijsopslagbak vallen hoort.
- Als u de ijsmachine voor het eerst start, is het mogelijk dat u continu stromend water hoort. De ijsmachine is geprogrammeerd om een spoelcyclus te draaien voordat de machine start met het produceren van ijs.

---

## De ijsmachine voorbereiden voor langdurige opslag

Als de ijsmachine voor een lange periode niet wordt gebruikt, of wordt verplaatst naar een andere locatie, dan moet u al het water uit het systeem laten lopen.

1. Schakel het apparaat uit en haal de stekker uit het stopcontact.
2. Draai de watertoevoer dicht bij de waterleiding.
3. Koppel de watertoevoerslang los van de wateraansluiting.
4. Trek de waterafvoerslang uit het waterreservoir (H in de afbeelding) om het water uit het waterreservoir te laten lopen. Installeer de waterafvoerslang opnieuw als al het water uit het reservoir is gelopen.

5. Laat al het water uit de waterafvoer op de achterkant van het apparaat.
6. Koppel de waterafvoerslang los van het riool en plaats de zwarte afsluit dop terug.
7. Laat de deur open voor circulatie en om schimmel en meeldauw te voorkomen.
8. Laat de watertoevoerslang en het netsnoer losgekoppeld tot u het apparaat weer wilt gebruiken.
9. Droog de binnenkant & veeg de buitenkant van het apparaat af.

NL

---

## REINIGEN & ONDERHOUD

**WAARSCHUWING:** Gebruik geen alcohol voor reiniging/sanering van de ijsmachine. Dit kan leiden tot scheuren in de plastic onderdelen. Vraag een erkend onderhoudsmonteur om minimaal één keer per jaar de condensator te controleren om ervoor te zorgen dat het apparaat naar behoren werkt en blijft werken.

**LET OP:** Als de ijsmachine voor een lange periode niet is gebruikt, dan moet het apparaat vóór het eerstvolgende gebruik grondig worden gereinigd. Volg zorgvuldig alle instructies op voor het reinigen en voor het gebruik van reinigingsmiddelen. Zorg ervoor dat er na het reinigen geen reinigingsmid-

delen achterblijven in de ijsmachine.

Periodieke reiniging en correct onderhoud zorgen voor goede efficiëntie, prestaties, hygiëne en een lange levensduur. De onderhoudsintervallen zijn gebaseerd op normale omstandigheden. Het kan verstandig zijn de intervallen verkorten als er sprake is van andere bijzondere omstandigheden.

**Wat mag u niet doen**

Bewaar nooit andere producten dan ijs in de ijsbak: voorwerpen zoals flessen wijn en bierflesjes zijn niet alleen onhygiënisch, maar de labels kunnen ook loslaten en voor verstoppingen van de afvoerbuis zorgen.



## Reinigen buitenkant

De deur en behuizing mogen worden gereinigd met een mild reinigingsmiddel en warm water. Gebruik geen oplosmiddelen of schuurmiddelen. Gebruik een zachte spons en spoel af met schoon water. Veeg droog met een zachte, schone handdoek om watervlekken te voorkomen.

## Reinigen binnenkant

### Voor ijsbak

De ijsopslagbak moet regelmatig worden gereinigd. Reinig de bak voordat de ijsmachine voor het eerst wordt gebruikt en wanneer het apparaat opnieuw wordt gebruikt nadat het een lange periode niet is gebruikt. Het is doorgaans handig om de bak te reinigen nadat de buitenkant is gereinigd, de opslagbak moet leeg zijn.

1. Haal de stekker uit het stopcontact.
2. Open de deur en veeg de binnenkant schoon met een schone doek met reinigungsoplossing

### Reinigen van de onderdelen die ijs produceren

Reinig deze onderdelen van uw ijsmachine regelmatig als het apparaat wordt gebruikt.

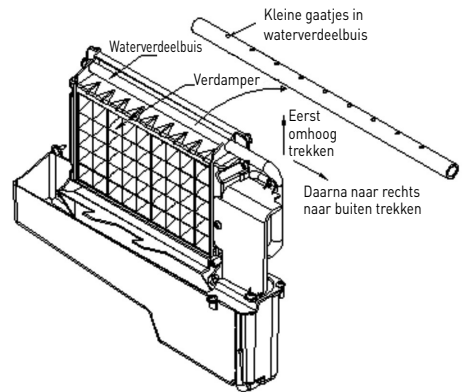
1. Herhaal de bovenstaande stap om het waterreservoir en andere onderdelen aan de binnenkant van het apparaat te reinigen.
2. Reinig de waterverdeelbuis op de verdamper, verwijder dit onderdeel en reinig alle kleine gaatjes die getoond worden in de volgende afbeelding, zorg ervoor dat de gaatjes niet verstopt zijn en installeer het onderdeel daarna opnieuw op de oorspronkelijke plaats.
3. Als er ijsblokjes op het oppervlak van de verdamper zitten, maar ze niet omlaag kunnen vallen, verwijder de ijsblokjes dan niet met geweld; druk langer dan 5 seconden op "ON/FF", het apparaat schakelt naar het smeltproces. Na een tijdje vallen de grote ijsklontjes omlaag. Schakel het apparaat uit, haal de stekker uit het stopcontact en reinig het oppervlak van de verdamper.

**OPMERKING:** Het is mogelijk dat roestvrijstalen modellen verkleuren wanneer ze worden blootgesteld aan chloorgas en vocht, bijvoorbeeld in omgevingen met spa's of zwembaden. Aantasting van het materiaal door chloor moet worden voorkomen door het toestel op een andere plaats te installeren.

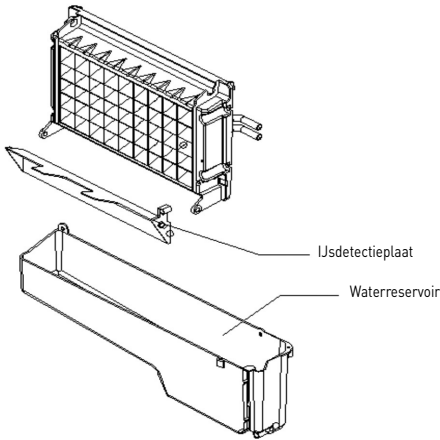
bestaande uit 28g bleekwater of chloor en 7,5L warm water.

3. Grondig spoelen met schoon water. Het afvalwater wordt afgevoerd via de afvoerslang.
4. Steek de stekker weer in het stopcontact. De ijschep moet regelmatig worden gewassen. Was de schep net als andere voedselcontainers.

**WAARSCHUWING:** Gebruik geen oplosmiddelen of schuurmiddelen. Deze kunnen hun smaak doorgeven aan ijsblokjes.



#### 4. Voor het waterreservoir en de ijsdetectieplaat



Het waterreservoir en de ijsdetectieplaat zijn ook erg belangrijk om uw ijsblokjes hygiënisch te houden. Spuit een mengsel van neutraal reinigingsmiddel & water in een schone waterstraal op het gehele binnenoppervlak van het reservoir & de ijsdetectieplaat. Veeg deze oppervlakken zoveel mogelijk af met een schone doek. Spuit de oppervlakken daarna af met schoon water en veeg af met een droge, schone doek. Laat het schone water daarna weglopen in de watertank door de waterafvoerslang van het waterreservoir uit het waterreservoir te trekken. Installeer de waterafvoerslang van het waterreservoir terug als al het reinigingswater is weggelopen.

**BELANGRIJK:** Gooi de eerste partij ijsblokjes weg na het reinigen van de interne onderdelen.

#### Het apparaat ontkalken

Mineralen die worden verwijderd uit het water tijdens het bevroerscyclus zullen uiteindelijk een harde schilferige laag vormen in het watersysteem. Het regelmatig reinigen van het systeem helpt bij het verwijderen van kalkaanslag. Hoe vaak u het systeem moet reinigen is afhankelijk van de hardheid van het gebruikte water. Als het water een hardheid heeft van 4 tot 5 gram/liter, dan moet u het systeem zelfs elke 6 maanden reinigen.

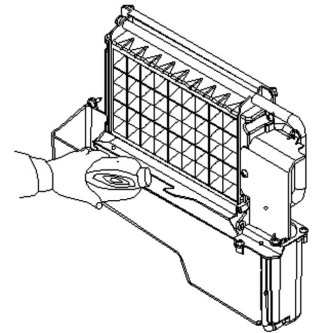
1. Schakel de ijsmachine uit. Houd de ijsmachine aangesloten op de waterleiding en afvoerleiding, maar sluit de waterkraan van de waterleiding.
2. Open de deur en schep alle ijsblokjes uit het apparaat. Gooi ze weg of bewaar ze in een ijsbox of koeler.
3. Maak de reinigingsoplossing. Meng "Nu-Calgon Nickle Safe Ice Machine Cleaner" met water om de reinigingsoplossing te maken.

**WAARSCHUWING:** Draag rubberen handschoenen en een veiligheidsbril bij de omgang met het reinigingsmiddel voor de ijsmachine.

Gebruik een plastic of roestvrijstalen container met een capaciteit groter dan 4 liter, meng 300 ml "Nu-Calgon Nickle Safe Ice-machine Cleaner" met 2,8 liter warm water van ongeveer 50-60°C. Verdeel de oplossing daarna gelijkmatig over 2 bekers. Het wordt aanbevolen om de temperatuur van de koppen met reinigingsoplossing op peil te houden.

4. Controleer of de waterafvoerslang van het waterreservoir juist is geïnstalleerd in de aansluiting

op de wand van het reservoir. Giet daarna een beker "Nickel-Safe Ice Maker Cleaning"-oplossing in het waterreservoir. Wacht ongeveer 5 minuten.



5. Zet de ijsmachine aan en druk daarna langer dan 5 seconden op "CLEAN" op het bedieningspaneel om naar het zelfreinigingsprogramma te schakelen. Tijdens dit proces zal het "CLEAN" continu branden en het cijfer in de display geeft de resterende tijd van het proces weer.
6. Trek, nadat het zelfreinigingsproces is voltooid, de afvoerslang uit het waterreservoir, laat de reinigingsoplossing weglopen naar de onderste ijsopslagbak. Schud het apparaat een klein beetje om de reinigingsoplossing volledig weg te laten lopen. Installeer de afvoerslang daarna opnieuw op de aansluiting op het waterreservoir.
7. Herhaal de stappen 4--6 om de ijsproductie-assemblage opnieuw te reinigen.

**WAARSCHUWING:** Het reinigingsmiddel voor de ijsmachine kan zuur bevatten. Gebruik of meng NIET met andere oplosmiddelen. Gebruik rubberen handschoenen om uw handen te beschermen. Lees de veiligheidsinstructies op de fles van het reinigingsmiddel zorgvuldig.

8. Open de waterkraan van de waterleiding, laat water in het apparaat stromen. Druk opnieuw langer dan 5 seconden op "C" op het bedieningspaneel om naar het zelfreinigingsprogramma te schakelen. Met dit proces worden de waterverdeelbuis, verdamper, waterpomp, siliconen buis, waterreservoir, etc. gespoeld.

9. Trek, nadat het zelfreinigingsproces is voltooid, de afvoerslang uit het waterreservoir, laat de reinigingsoplossing weglopen naar de onderste ijsopslagbak. Schud het apparaat een klein beetje om de reinigingsoplossing volledig weg te laten lopen. Installeer de afvoerslang daarna opnieuw op de aansluiting op het waterreservoir.
10. Herhaal de stappen 8-9 twee keer.
11. Volg het bovenstaande programma om de ijsopslagbak te reinigen.
12. Gooi de eerste partij ijsblokjes weg.

---

## Suggesties reinigen

### 1) DAGELIJKS REINIGEN

U moet de ijsschep, deur en waterverdeelbuis dagelijks reinigen. Spoel de ijsschep aan het einde van iedere dag schoon en veeg beide kanten van de deur af met een schone doek.

### 2) HALFMAANDELIJKS REINIGEN

U moet de ijsschep, ijsbak, waterreservoir, ijsdetectieplaat en het oppervlak van de verdamper halfmaandelijks reinigen volgens het programma voor het reinigen van de binnenkant.

### 3) HALFJAARLIJKS REINIGEN

Alle onderdelen & oppervlakken die worden blootgesteld aan water of ijsblokjes, zoals de ijsopslagbak, waterreservoir, deur, verdamper, waterpomp, siliconen buis, waterverdeelbuis, etc. moeten elke 6 maanden worden gereinigd met **Nu-Calgon Nickle Safe Ice-machine Cleaner**.

## PROBLEMEN OPLOSSEN

Probleem	Mogelijke oorzaak	Oplossing
De indicator "Add water" brandt	Geen watertoevoer	Controleer de watertoevoerdruk of controleer of de watertoevoerslang verstopt is. Verhoog de waterdruk of reinig de slang indien nodig. Controleer of de waterkraan open staat.
	Vlotter of drijver van de schakelaar voor het detecteren van het waterpeil is geblokkeerd en kan niet stijgen.	Reinig het waterreservoir en de schakelaar voor het detecteren van het waterpeil.
	Er stroomt water uit het waterreservoir	Plaats het apparaat op een vlakke ondergrond, niet op een helling.
	Er stroomt water uit de waterafvoerbuis van het waterreservoir.	Trek de buis uit het waterreservoir en installeer de buis daarna goed terug in de aansluiting op het waterreservoir.
De indicator "Add water" knippert	Probleem met watertoevoerslang of water stroomt erg langzaam naar binnen.	Controleer de watertoevoerdruk of controleer of de watertoevoerslang verstopt is. Verhoog de waterdruk of reinig de slang indien nodig. Controleer of de waterkraan voldoende open staat.
De waterpomp werkt, maar er stroomt geen water uit de waterverdeelbuis	De kleine gaatjes op de waterverdeelbuis zijn verstopt.	Reinig de kleine gaatjes.
De ijsblokjes zijn niet erg transparant	De waterkwaliteit is slecht	Verander de watertoevoer of gebruik het waterfilter om het water te verzachten of te filteren.
De ijsblokjes hebben een onregelmatige vorm	Waterkwaliteit is slecht of waterreservoir is erg vuil	Reinig het waterreservoir en ververs het water.
	Een aantal kleine gaatjes op de waterverdeelbuis zijn verstopt	Reinig de waterverdeelbuis en zorg ervoor dat geen van de negen gaatjes zijn verstopt.
De ijsblokjes zijn erg dun	Omgevingstemperatuur te hoog	Verplaats het apparaat naar een ruimte met een lagere temperatuur of verleng de duur van elke ijsproductiecyclus.
	Slechte luchtcirculatie rond het apparaat	Zorg ervoor dat er minimaal 20CM ruimte vrij is tussen de voorkant & achterkant van het apparaat en obstakels. Controleer of de condensator van het koelsysteem schoon is. Indien nodig reinigen.
De ijsblokjes zijn te dik	Omgevingstemperatuur te laag	Verkort de duur van elke ijsproductiecyclus.
De indicator "Full" brandt	De ijsopslagbak zit vol met ijsblokjes	Haal wat ijsblokjes uit het apparaat
De productiecyclus lijkt normaal maar er worden geen ijsblokjes geproduceerd.	De omgevingstemperatuur of watertemperatuur van het water in het waterreservoir is te hoog	Verplaats naar een plek met een temperatuur lager dan 32 graden Celsius en een lagere watertemperatuur
	Koelvloeistoflek	Laat het apparaat nakijken door een erkend onderhoudsmonteur
	Buis van koelsysteem is verstopt	Laat het apparaat nakijken door een erkend onderhoudsmonteur

### Foutindicator

E1: Sensor voor omgevingstemperatuur is buiten werking

E2: De duur van een ijsproductiecyclus is langer dan 35 minuten, het apparaat wordt uitgeschakeld. Dit is een systeembeveiliging die in werking treedt als er geen koelmiddel in het koelsysteem zit of de compressor niet werkt.

---

## Garantie

Elk defect waardoor de werking van het apparaat nadelig wordt beïnvloed dat zich binnen één jaar na aankoop van het apparaat voordoet, wordt gratis hersteld door reparatie of vervanging, mits het apparaat conform de instructies is gebruikt en onderhouden en niet op enigerlei wijze verkeerd is behandeld of misbruikt. Dit laat onverlet uw bij wet bepaalde rechten. Als de garantie van kracht is, vermeld dan waar en wanneer u het apparaat

hebt gekocht en sluit een aankoopbewijs bij (bijv. kassabon of factuur).

Gezien ons streven naar voortdurende verdere productontwikkeling behouden wij ons het recht voor, zonder voorafgaande kennisgeving wijzigingen aan te brengen aan product, verpakking en documentatie.

---

## Verwijdering & milieu

Bij de buitengebruikstelling van het apparaat, mag het niet met het overige huisafval worden verwijderd. In plaats daarvan is het uw verantwoordelijkheid om uw afgedankte apparatuur in te leveren bij een daartoe aangewezen inzamelpunt. Het niet opvolgen van deze regel kan worden bestraft in overeenstemming met de geldende voorschriften voor afvalverwerking. De gescheiden inzameling en recycling van uw afgedankte apparatuur ten tijde van buitengebruikstelling helpt bij de instandhouding van natuurlijke hulpbronnen en waarborgt dat de


apparatuur wordt gerecycled op een manier die de volksgezondheid en het milieu beschermt.

Voor meer informatie over waar u uw afval kunt inleveren voor recycling kunt u contact opnemen met uw lokale afvalverwerkingsbedrijf. De fabrikant en importeurs nemen geen verantwoordelijkheid voor de recycling, behandeling en ecologische verwijdering, hetzij rechtstreeks of via een openbaar systeem.

Drogi Kliencie,



Dziękujemy za zakup tego urządzenia Arctic. Przeczytaj uważnie tę instrukcję, zwracając szczególną uwagę na przepisy bezpieczeństwa przedstawione poniżej, przed zainstalowaniem i używaniem tego urządzenia po raz pierwszy.

## Przepisy bezpieczeństwa

- Urządzenie przeznaczone do bufetu oraz do użytku domowego.
- Urządzenie należy używać wyłącznie zgodnie z przeznaczeniem, do którego zostało zaprojektowane zgodnie z opisem w niniejszej instrukcji.
- Producent nie ponosi odpowiedzialności za jakiegokolwiek szkody spowodowane nieprawidłowym działaniem i niewłaściwym użyciem.
- Przechowywać urządzenie i wtyczkę elektryczną z dala od wody i innych płynów. W przypadku, gdy urządzenie wpadnie do wody, natychmiast wyjmij wtyczkę zasilającą z gniazda. Nie używać urządzenia, dopóki nie zostanie sprawdzone przez certyfikowanego technika. Nieprzestrzeganie tych instrukcji spowoduje zagrożenie dla życia.
- Nigdy nie próbuj samodzielnie otwierać obudowy urządzenia.
- Nie wkładaj przedmiotów do obudowy urządzenia.
- Nie dotykać wtyczki mokrymi lub wilgotnymi dłońmi.
-  **NIEBEZPIECZEŃSTWO PORAŻENIA PRĄDEM!** Nie próbuj samodzielnie naprawiać urządzenia, naprawy mogą być wykonywane wyłącznie przez wykwalifikowany personel..
- **Nigdy nie używaj uszkodzonego urządzenia!** Po uszkodzeniu odłącz urządzenie od gniazda i skontaktuj się ze sprzedawcą.
- **OSTRZEŻENIE!** Nie zanurzaj części elektrycznych urządzenia w wodzie lub innych płynach.
- Nigdy nie trzymaj urządzenia pod bieżącą wodą.
- Regularnie sprawdzaj wtyczkę zasilającą i przewód pod kątem uszkodzeń. W przypadku uszkodzenia musi zostać zastąpiony przez agenta serwisowego lub podobnie wykwalifikowaną osobę w celu uniknięcia niebezpieczeństwa lub obrażeń.
- Upewnij się, że przewód nie styka się z ostrymi lub gorącymi przedmiotami i trzymaj go z dala od otwartego ognia. Nigdy nie pociągaj za przewód zasilający, aby odłączyć go od gniazda, zawsze za wtyczkę.
- Upewnij się, że przewód zasilający i/lub przedłużacz nie powodują zagrożenia przejazdem.
- Nigdy nie pozostawiaj urządzenia bez nadzoru podczas użytkowania.
- **OSTRZEŻENIE!** Dopóki wtyczka znajduje się w gnieździe, urządzenie jest podłączone do źródła zasilania.
- Wyłącz urządzenie przed odłączeniem go od gniazda.
- Podłącz wtyczkę do łatwo dostępnego gniazda elektrycznego, aby w nagłych wypadkach urządzenie mogło zostać natychmiast odłączone.
- Nigdy nie noś urządzenia za przewód.
- Nie należy używać żadnych dodatkowych urządzeń, które nie są dostarczane razem z urządzeniem.

- Podłącz urządzenie tylko do gniazdka elektrycznego z napięciem i częstotliwością wymienioną na etykiecie urządzenia.
- Nigdy nie używaj akcesoriów innych niż zalecane przez producenta. Niezastosowanie się do tego może stanowić zagrożenie dla bezpieczeństwa użytkownika i spowodować uszkodzenie urządzenia. Używaj tylko oryginalnych części i akcesoriów.
- Urządzenie to nie powinno być obsługiwane przez osoby o ograniczonych możliwościach fizycznych, sensorycznych lub umysłowych, ani osoby, które mają brak doświadczenia i wiedzy.
- Urządzenie to w żadnym wypadku nie powinno być używane przez dzieci.
- Przechowywać urządzenie i jego przewód zasilający w miejscu niedostępnym dla dzieci.
- **OSTRZEŻENIE: ZAWSZE** wyłączyć urządzenie i odłączyć od gniazdka elektrycznego przed czyszczeniem, konserwacją lub przechowywaniem.

## Specjalne przepisy bezpieczeństwa

- To urządzenie jest przeznaczone do używania w gospodarstwie domowym i do podobnych zastosowań, takich jak
  - 1) kuchnie dla personelu w sklepach, biurach i innych środowiskach roboczych;
  - 2) domy wiejskie, hotele, motele i inne środowiska typu mieszkalnego;
  - 3) środowiska typu pensjonatu;
  - 4) catering i podobne zastosowania hurtowe.
- To urządzenie powinno być obsługiwane przez przeszkolony personel w kuchniach restauracji, stołówek, barów itd.
-  **OSTRZEŻENIE! Gorąca powierzchnia!** Podczas używania powierzchnia urządzenia jest gorąca. Należy dotykać wyłącznie panelu sterowania.
-  **OSTRZEŻENIE! Ryzyko pożaru!** Czynniki chłodnicze stosowane w urządzeniu to R290. Jest on wysoce łatwopalny. W urządzeniu jako porofor izolacji użyto Cyklopentanu, który jest wysoce łatwopalny!
- Nie umieszczać urządzenia na obiektach grzewczych (piec gazowy, elektryczny, grill itp.) Urządzenie musi być umieszczone z dala od wszelkich gorących powierzchni i otwartych płomieni. Zawsze używać urządzenia na płaskiej, stabilnej, czystej, odpornej na wysoką temperaturę i suchej powierzchni.
- To urządzenie nie jest przeznaczone do używania za pośrednictwem zewnętrznego timer'a lub osobnego systemu zdalnego sterowania.
- **OSTRZEŻENIE:** Nie zastaniać jakichkolwiek otworów wentylacyjnych w obudowie urządzenia.
- **OSTRZEŻENIE:** Nie używać urządzeń mechanicznych ani innych środków niezalecanych przez producenta do przyspieszania procesu odmrażania.
- **OSTRZEŻENIE:** Nie uszkadzać obwodu czynnika chłodniczego.
- **OSTRZEŻENIE:** Napętniać wyłącznie wodą pitną.
- W tym urządzeniu nie wolno przechowywać substancji wybuchowych, takich jak puszki z paliwem płynnym w aerozolu.

- W trakcie używania urządzenia pozostawić wokół niego co najmniej 20 cm odstępów dla zapewnienia wentylacji.
- Nie używać twardych sztućców do uderzania w powierzchnię zewnętrzną. Nie myć bezpośrednio strumieniem wody ani myjką wodną bądź parową, ponieważ mogłoby to spowodować zwilżenie części i ryzyko porażenia elektrycznego.
- Nie narażać urządzenia na bezpośrednie światło słoneczne. Unikać wstrząsów i drgań mechanicznych.
- Zawsze przemieszczać i transportować urządzenie w pozycji pionowej, aby uniknąć jego uszkodzenia.
- **PRZESTROGA!** W razie potrzeby bezpiecznie przeprowadzić przewód zasilający, aby uniknąć niezamierzonego odłączenia lub kontaktu z powierzchnią grzewczą.
- Nie czyścić urządzenia ani nie odstawiać go do przechowywania przed całkowitym ostygnięciem.
- Żadne części nie nadają się do mycia w zmywarce do naczyń.

### UWAGA:

Przewody w kablu zasilającym zostały oznaczone następującymi kolorami:

Zielono-żółty:	Uziemienie
Niebieski:	Zero
Brązowy:	Faza

PL

Ponieważ kolory przewodów w kablu zasilającym mogą nie odpowiadać oznaczeniom kolorowym na zaciskach w twojej wtyczce, należy postępować w sposób następujący:

Przewód oznaczony kolorem zielonym i żółtym musi zostać podłączony do zacisku we wtyczce, który jest oznaczony literą E, G lub symbolem, albo kolorem zielonym, bądź zielonym i żółtym.

Przewód oznaczony kolorem niebieskim musi zostać podłączony do zacisku oznaczonego literą N.

Przewód oznaczony kolorem brązowym musi zostać podłączony do zacisku oznaczonego literą L.

**UWAGA:** Wytworzone kostki lodu są ze sobą sklejone i przed użyciem muszą zostać porozbijane.

---

### Przeznaczenie

- Urządzenie przeznaczone do bufetu oraz do użytku domowego.
- Urządzenie przeznaczone jest wyłącznie do wytwarzania kostek lodu. Użycie urządzenia w jakimkolwiek innym celu może prowadzić do jego uszkodzenia lub do obrażeń ciała.
- Wykorzystanie urządzenia w jakimkolwiek innym celu uznane będzie za wykorzystanie niezgodne z przeznaczeniem. Użytkownik będzie wyłącznie odpowiedzialny za nieprawidłowe wykorzystanie urządzenia.



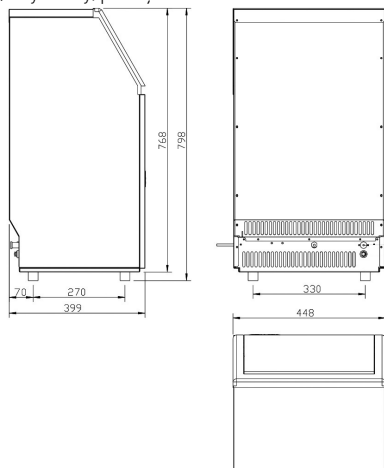
## Instalacja uziemienia

Urządzenie to jest klasyfikowane jako **klasa ochronny I** i musi być połączone z podłożem ochronnym. Uziemienie zmniejsza ryzyko porażenia prądem elektrycznym, dostarczając przewód ewakuacyjny dla prądu elektrycznego. To urządzenie jest wy-

posażone w przewód zasilający, który ma przewód uziemiający i uziemioną wtyczkę. Wtyczka musi być podłączona do gniazdka, które jest prawidłowo zainstalowane i uziemione.

## Specyfikacja techniczna

### 1) Wymiary/podłączenia



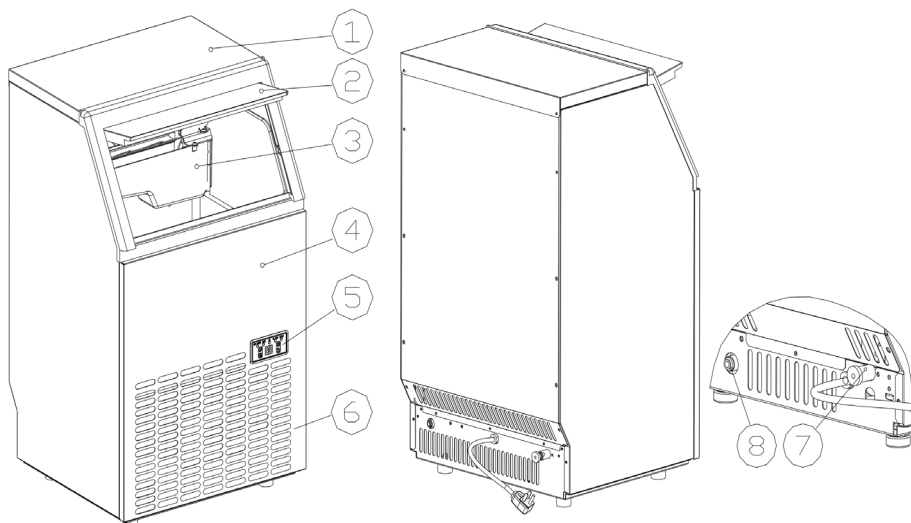
### 2) Wartości znamionowe

Nr artykułu	271575	
Napięcie robocze i częstotliwość	220-240V- /50Hz	
Prąd znamionowy	2,2A	
Moc znamionowa	280W	
Używany czynnik chłodniczy i wstrzykiwana ilość	R290 / 95g	
Klasa klimatyczna	SN-T	
Porofoz izolacji	Cyklopentan	
Klasa ochronności	klasa I	
Warunki pracy	Temp. pokojowa	10°C ~ 38°C
	Temp. wody	5°C ~ 35°C
	Ciśnienie wody	0,04 ~ 0,6 MPa
Waga netto (około)	27kg	
Wymiary	448x400x(H)798mm	

**Uwaga: Specyfikacja techniczna może zostać zmieniona bez powiadomienia.**

## INFORMACJE OGÓLNE

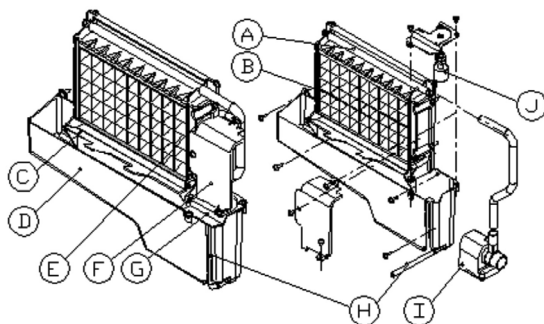
### 1) Konstrukcja głównego urządzenia



1. Pokrywa górna
2. Drzwiczki
3. Zespół wytownicy lodu i zbiornika wody
4. Panel czotowy
5. Panel sterowania
6. Wylot powietrza: Konieczne jest zapewnienie swobodnego przepływu powietrza; w trakcie pracy wydmuchiwane będzie gorące powietrze.

7. Gniazdo odpływu wody.
8. Gniazdo doptywu wody.

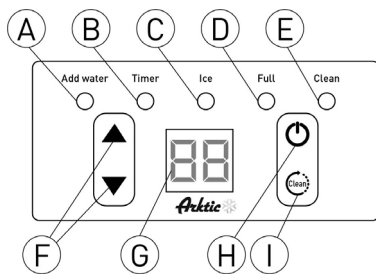
Akcesoria: Biały wąż odpływu wody o długości 2 metrów, złączka do kranu, biały wąż o długości 3 metrów do zasilania w wodę bieżącą (ø 6,35 mm).



- A. Rurka rozdzielająca wodę: z dziewięcioma małymi otworkami, z których wypływać będzie woda.
- B. Odparowywacz (moduł wytownicy lodu)
- C. Płyta wykrywająca zapetnienie zbiornika lodu.
- D. Zbiornik wody.

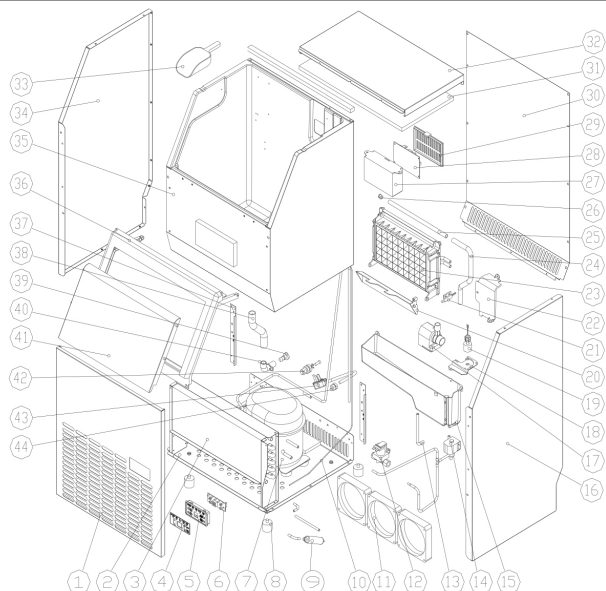
- E. Rurka doptywu wody.
- F. Pokrywa z prawej strony odparowywacza.
- G. Płyta instalacyjna wyłącznika poziomu wody.
- H. Rurka odpływu wody ze zbiornika wody.
- I. Pompa wody.
- J. Wyłącznik wykrywający poziom wody.

## 2) Panel sterowania



- A. Lampka "Add water" [Dolej wody]: Miganie tej lampki oznacza, że doływ wody jest zbyt wolny; gdy świeci się ona nieprzerwanie, oznacza to, brak wody w urządzeniu.
- B. Lampka "Timer" [Programator czasowy]: Świecenie się tej lampki oznacza, że został ustawiony PROGRAMATOR CZASOWY. Programator czasowy można włączyć lub wyłączyć przy pomocy przycisku clean/timer.
- C. Lampka "Ice" [Lód]: Świecenie się tej lampki oznacza, że urządzenie produkuje lód; jej miganie oznacza, że urządzenie jest w trakcie zbierania lodu.
- D. Lampka "Full" [Pełne]: Lampka to zaświeci się, gdy urządzenie będzie pełne lodu.
- E. Lampka "Clean" [Czyszczenie]: Świecenie się tej lampki oznacza rozpoczęcie czyszczenia pompy wody. W momencie jego migania, proces czyszczenia pompy wody zostaje zatrzymany.
- F. Przyciski ▲ & ▼ : Przy pomocy tych przycisków ustawia się czas trwania procesu wytwarzania lodu. Wartością domyślną jest zero a każde naciśnięcie przycisku ▲ lub ▼ odpowiednio zwiększa lub zmniejsza ten czas o 1 minutę. Także przy ustawianiu czasu opóźnienia programatora czasowego, domyślnym ustawieniem jest zero a każde naciśnięcie przycisku ▲ lub ▼ odpowiednio zwiększa lub zmniejsza ten czas o 1 godzinę.
- G. Wyświetlacz: W normalnych warunkach zawsze wyświetlana jest liczba oznaczająca temperaturę otoczenia; jeśli wyświetlacz miga, pokazywana wartość oznacza czas w minutach pozostały do zakończenia danego procesu, jak np. cyklu wytwarzania lodu, programu samooczyszczania, itd.
- H. Przycisk "⏻" [„Wł/Wyt”]: Gdy urządzenie jest wyłączone, naciśnięcie tego przycisku uruchamia je. W trakcie trwania programu samooczyszczania lub w normalnym trybie wytwarzania lodu, jego naciśnięcie powoduje natychmiastowe wyłączenie urządzenia. W przypadku, gdy ustawiony został programator czasowy, przy pomocy tego przycisku ustawienie programatora czasowego zostaje anulowane. W trakcie produkcji kostek lodu, wciśnięcie tego przycisku na ponad 5 sekund wymusi rozpoczęcie procesu zbierania lodu.
- I. Przycisk "🕒" [Programowanie czyszczenia]: Aby wejść w program ustawiania programatora czasowego, należy nacisnąć ten przycisk jeden raz. I przytrzymaj przycisk przez co najmniej 5 sekund, gdy urządzenie jest wyłączone, aby przejść do programu czyszczenia.

## Lista części



L.p.	Nazwa części	Ilość	Uwagi	L.p.	Nazwa części	Ilość	Uwagi
1	Panel przedni	1		24	Rurka dopływu wody	1	
2	Płyta spodnia	1		25	Rurka rozdzielająca wodę, z dziewięcioma otworami	1	
3	Skraplacz	1		26	Zakrętka rurki rozdzielającej wodę	1	
4	Plakietka objaśniająca panelu operacyjnego	1		27	Skrzynka płytki drukowanej obwodu elektrycznego	1	
5	Skrzynka płytki drukowanej panelu operacyjnego	1		28	Płytką drukowaną głównego modułu sterowania	1	
6	Płytką drukowaną panelu operacyjnego	1		29	Pokrywa płytki drukowanej głównego modułu sterowania	1	
7	Sprężarka	1		30	Płyta tylna	1	
8	Regulowana stopka	4		31	Gąbka izolująca pokrywy górnej	1	
9	Filtr suchy	1		32	Pokrywa górna	1	
10	Kapilara	1		33	Szufelka do lodu	1	
11	Wentylator na prąd stały	3		34	Płyta boczna lewa	1	
12	Zawór dopływu wody	1		35	Szafka wewnętrzna pokryta pianką izolacyjną oraz pojemnik na lód	1	
13	Rurka odpływu wody ze zbiornika wody	1		36	Rama drzwiczek	1	
14	Zawór elektromagnetyczny do procesu zbierania kostek lodu	1		37	Wzmocniona tylna płyta	1	
15	Zbiornik wody	1		38	Rurka odpływu wody z wewnętrznej szafki	1	
16	Płyta boczna prawa	1		39	Zakrętka odpływu wody	1	
17	Pompa obiegu wody	1		40	Gniazdo odpływu wody	1	
18	Pokrywa zbiornika wody	1		41	Drzwiczki	2	
19	Wyłącznik wykrywający poziom wody	1		42	Gniazdo dootywu wody	1	
20	Płyta wykrywająca zapalenie urządzenia lodem	1		43	Kabel zasilania	1	
21	Magnetyczny przetłącznik sterujący	4		44	Zacisk kabla zasilania	1	
22	Pokrywa prawej strony odparowувacza	1		45	Okablowanie	1	
23	Odparowувacz i jego rama	1					

## Rozpakowanie kostkarki do lodu

1. Usunąć opakowanie zewnętrzne i wewnętrzne. Sprawdzić, czy załączono wszystkie akcesoria, w tym instrukcję obsługi, szufelkę do lodu, wąż dopływu wody bieżącej, szybkozłączkę 4 żyły na 2 żyły oraz wąż odpływu wody, itd.. W przypadku braku którejkolwiek z części, należy skontaktować się z naszym działem obsługi klienta.
2. Zachować opakowanie na wypadek konieczności spakowania urządzenia w przyszłości.
3. Usunąć taśmy mocujące drzwiczki oraz szafkę wewnętrzną, szufelkę do lodu, itd. Z grubsza oczyścić szafkę wewnętrzną i szufelkę do lodu przy pomocy wilgotnej ściereczki.
4. Kostkarkę do lodu ustawić na równym i płaskim podłożu, w miejscu nienarażonym na bezpośrednie działanie słońca oraz oddalonym od innych

źródeł ciepła (np. pieca, kuchni, grzejnika, itp.). Zapewnić co najmniej 20 cm odstępu między wylotem powietrza a przeszkodami oraz co najmniej 5 cm między lewą/prawą ścianką boczną urządzenia a ścianą pomieszczenia.

5. Przed podłączeniem kostkarki do zasilania, należy zostawić ją na 4 godziny, by umożliwić spłynięcie płynu chłodniczego, ponieważ urządzenie mogło zostać przewrócone do góry nogami w trakcie transportu.
6. Urządzenie należy posadzić miejscu, które zapewnia swobodny dostęp obsługującego urządzenia do wtyczki.

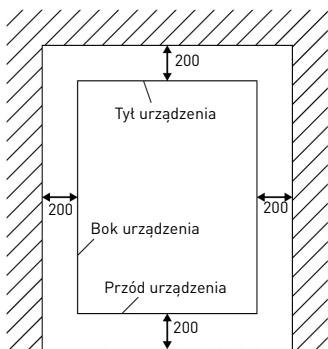
**OSTRZEŻENIE:** Do produkcji lodu należy wykorzystywać tylko wodę pitną.

## Wymagania dotyczące miejsca instalacji

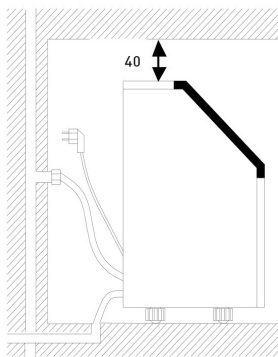
- a) Utrzymywać temperaturę otoczenia i temperaturę wody dopływającej do urządzenia w granicach podanych w powyższej tabeli specyfikacji. Niespełnienie tego warunku może pogorszyć działanie kostkarki do lodu.
- b) Urządzenie nie powinno być umieszczone w pobliżu źródeł ciepła.

- c) Urządzenie powinno być umieszczone na trwałym i płaskim podłożu na normalnej wysokości blatu.
- d) Należy zachować odstęp 200mm wokół urządzenia oraz 40mm od góry, aby zapewnić dobrą wentylację powietrza.
- e) Nie wolno niczego stawiać na górnej powierzchni kostkarki.

Odstęp przy instalacji widok z góry  
(1:10) (mm)



Widok z boku (mm)



Podczas instalacji kostkarki pod blatem, należy pamiętać o zachowaniu właściwych odstępów (podanych powyżej). Umieścić przewody zasilania elektrycznego i dopływu oraz odpływu wody w zalecanych lokalizacjach pokazanych na rysunku powyżej. Po instalacji należy wybrać dobrze wentylowane miejsce, w których panuje temperatura powyżej 10°C i poniżej 32°C. Urządzenie MUSI zostać zainstalowane w miejscu zabezpieczonym przed dzia-

taniem takich czynników, jak wiatr, deszcz, rozpryski czy kapanie wody.

Kostkarka do lodu wymaga ciągłego zasilania w wodę o ciśnieniu 1-8 Bar, jak podano w tabeli wartości znamionowych. Aby zapewnić prawidłowe działanie urządzenia, temperatura wody doprowadzanej do kostkarki powinna być w granicach od 5°C do 25°C.

## Wymagania i połączenia elektryczne

**OSTRZEŻENIE:** URZĄDZENIE MUSI ZOSTAĆ UZIEMIIONE.

- Przed postawieniem kostkarki do lodu w miejscu przeznaczenia należy się upewnić, że istnieje odpowiednie połączenie elektryczne.
- Zaleca się przygotowanie oddzielnego obwodu elektrycznego służącego jedynie podłączeniu kostkarki do lodu. Należy korzystać z gniazdek,

których nie można odłączyć wyłącznikiem lub przy pomocy łańcuszka. W przypadku konieczności wymiany kabla zasilającego lub wtyczki, powinien to zrobić wykwalifikowany serwisant.

- Niniejsze urządzenie wymaga zasilania z sieci o napięciu 220-240 V, 50 Hz z odpowiednim uziemieniem.

## Mycie kostkarki do lodu przed pierwszym użyciem

1. Otworzyć drzwiczki.
2. Myć rozcieńczonym w ciepłej wodzie detergentem przy pomocy miękkiej ściereczki.
3. Kilukrotnie umyć części wewnętrzne mające styczność z wodą. Wyciągnąć rurkę odpływową zbiornika wody, oznaczoną literą "H" na powyższej ilustracji, w celu wypuszczenia wody użytej do mycia zbiornika, po czym wypłukać pojemnik na lód. Następnie wypuścić całą wodę użytą do mycia z gniazda odpływu wody znajdującego się z

tytu urządzenia (oznaczonego cyfrą "7" na powyższej ilustracji). Ponownie zamocować rurkę odpływu wody, gdyż w przeciwnym razie urządzenie nie będzie prawidłowo działać. Wyrzucić pierwszą kostkę lodu wytworzoną po czyszczeniu.

4. Powierzchnię zewnętrzną kostkarki do lodu należy regularnie myć delikatnym roztworem środka myjącego i ciepłą wodą.
5. Osuszyć wewnętrzną i zewnętrzną powierzchnię przy pomocy miękkiej ściereczki.

## Podłączenie wody do kostkarki do lodu

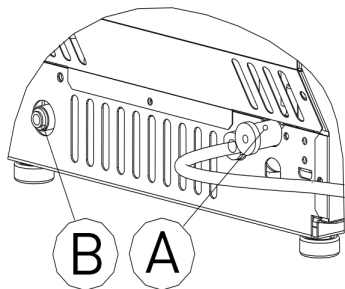
**Uwaga:** Zastosować nowe przewody dostarczone z urządzeniem.

Podłączyć wąż doprowadzający wodę do urządzenia

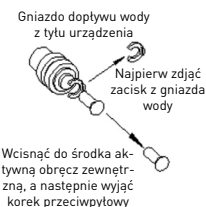
Krok 1: Najpierw zdjąć zacisk z gniazda wody (oznaczonego na poniższym rysunku literą

"B") umieszczonego z tyłu urządzenia. Wyjąć zatyczkę przeciwpływową.

Krok 2: Wcisnąć jeden koniec węża do gniazda wody, docisnąć do końca i ponownie założyć zacisk.



Krok 1: Wyjąć korek przeciwpłytowy



Krok 2: Wcisnąć wąż



## Podłączenie węża odpływu wody

Zdjąć nakrętkę odpływu wody w kolorze czarnym (oznaczoną literą "A" na powyższym rysunku), następnie podłączyć załączony biały wąż odpływowy,

a jego drugi koniec doprowadzić do głównej rury ściekowej.

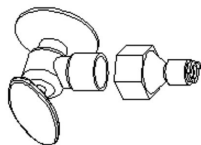
## Podłączyć wąż doptywu wody do kranu głównej sieci wodociągowej

Załączona szybkozłączka do wody musi zostać nakręcona na kran; najpierw zdjąć zacisk z szybkozłączki, wcisnąć drugi koniec węża do szybkozłączki

do oporu i z powrotem założyć zacisk.

**Uwaga:** Ciśnienie wody w sieci wodociągowej musi wynosić co najmniej 0,04-05 MPa.

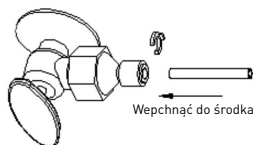
Krok 1: Szybkozłączka i kran



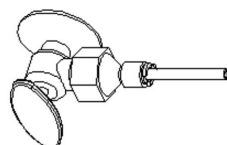
Krok 2: Nakręcić szybkozłączkę na kran elementem gwintowanym po czym zdjąć zacisk



Krok 3: Wcisnąć wąż do napotkania oporu



Krok 4: Ponownie założyć zacisk



## Wytwarzanie lodu

1. Po załączeniu wszystkich węży, podłączyć urządzenie do sieci zasilania elektrycznego. Następnie nacisnąć przycisk "⏻" na panelu sterowania w celu rozpoczęcia cyklu wytwarzania lodu. Jednocześnie zapali się lampka "Ice". Wyświetlacz cyfrowy będzie pokazywał temperaturę otoczenia. W trakcie procesu wytwarzania lodu pracowała będzie sprężarka, silnik wentylatora oraz pompa wody.
2. Każdy cykl wytwarzania lodu będzie trwał około 11 do 30 minut, w zależności od temperatury otoczenia i temperatury wody.
3. Po zakończeniu procesu wytwarzania lodu, urządzenie przełączy się w tryb zbierania lodu. Jednocześnie system wykryje poziom wody. Jeśli będzie zbyt niski, mrugać zacznie lampka "Add water". Należy wtedy otworzyć zawór doptywu wody w celu jej uzupełnienia w zbiorniku wody. Po zakończeniu tego procesu, lampka "Add water" zgaśnie.

4. Po zapaleniu się wskaźnika "Full", urządzenie przestanie pracować. Po wyjęciu wystarczającej liczby kostek lodu, urządzenie wznowi pracę po upływie około 3 minut.
5. W trakcie procesu wytwarzania lodu, naciśnij przycisk ▲ lub ▼ w celu zmiany długości procesu wytwarzania lodu. Spowoduje to zmianę grubości kostki lodu. Domyślnym ustawieniem jest zero, a każde naciśnięcie przycisku ▲ lub ▼ odpowiednio wydłuży lub skróci czas procesu o 1 minutę. Po 5 sekundach od ostatniego naciśnięcia przycisku nowe ustawienie zostanie zapamiętane.
6. Zła jakość wody będzie skutkowałą złą jakością kostek lodu oraz zmniejszy ich przejrzystość.

**UWAGA:** Wytworzone kostki lodu są ze sobą sklejone i przed użyciem muszą zostać porozbijane.

## Program automatycznego samooczyszczania


Rozpoczęcie programu samooczyszczania: Po załączeniu węża do wody, podłączyć urządzenie do sieci zasilania elektrycznego, po czym wcisnąć na ponad 5 sekund przycisk "🔄" w celu rozpoczęcia programu czyszczenia. W trakcie procesu czyszczenia świecić się będzie lampka "Clean", a wyświetlacz cyfrowy będzie pokazywał czas pozostający do końca procesu. Program samooczyszczania trwa 30 minut.

Anulowanie programu samooczyszczania: Jeden pełny cykl samooczyszczania trwa 30 minut. Po zakończeniu programu, urządzenie samoczynnie się wyłączy. Można także wymusić zakończenie programu samooczyszczania poprzez naciśnięcie przycisku "⏻" na panelu sterowania.

## Ustawianie Programatora czasowego:

Jak zaprogramować czas włączenia kostkarki przy pomocy programatora czasowego: Gdy urządzenie jest wyłączone, nacisnąć przycisk "Timer/Clean" w celu ustawienia godziny, o której urządzenie ma się włączyć. Zaświeci się lampka "Timer", a liczba na cyfrowym wyświetlaczu będzie mrugała pokazując za ile godzin kostkarka zostanie włączona. W trakcie migania wyświetlacza, należy naciskać przyciski ▲, ▼ aby dodać lub odjąć godziny, przy czym ustawieniem domyślnym jest zero. Pięć sekund po ustawieniu czasu, zostanie on zapamiętany.

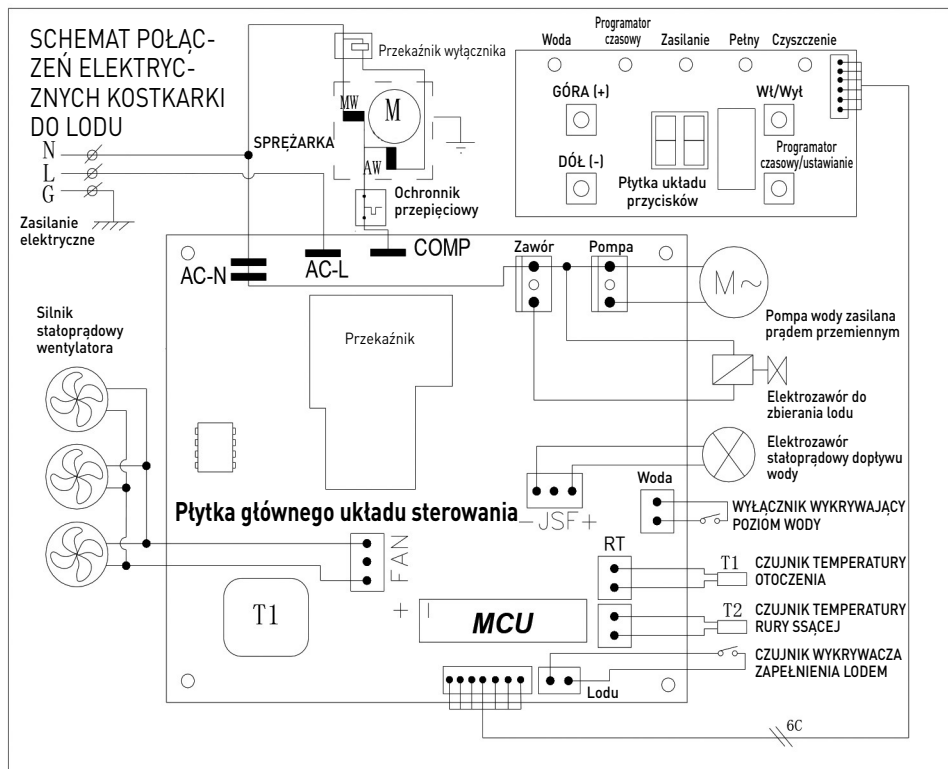
Jak anulować ustawiony czas włączenia: Nacisnąć przycisk "Timer/Clean", a liczba na cyfrowym wyświetlaczu będzie mrugała pokazując obecny czas

opóźnienia włączenia urządzenia, zaprogramowany w programatorze czasowym. Ponowne naciśnięcie tego przycisku spowoduje anulowanie ustawienia. Naciśnięcie przycisku  także skasuje ustawienie programatora czasowego.

Jak zaprogramować czas wyłączenia kostkarki przy pomocy programatora czasowego: Gdy urządzenie jest włączone, nacisnąć przycisk "Timer/Clean" w celu ustawienia godziny, o której urządzenie ma się wyłączyć. Następnie należy postępować jak w punkcie powyżej.

Jak anulować ustawiony czas wyłączenia: Procedura jest identyczna z procedurą anulowania zaprogramowanego czasu włączenia.

## Schemat połączeń wewnętrznych





## Dźwięki

Państwa nowa kostkarka do lodu może wydawać nietypowe dźwięki, w większości są one jednak naturalne. Twarde powierzchnie np. podłoga, ściany lub szafki mogą spowodować, że dźwięki wydawane przez urządzenie zdawać się będą głośniejsze, niż w rzeczywistości. Poniżej przedstawiamy opis dźwięków wydawanych przez kostkarkę.

- W momencie otwarcia zaworu wody w celu napełnienia zbiornika dla każdego cyklu słychać będzie szum.
- Dźwięki kłękające mogą być spowodowane przepływem środka chłodniczego lub mogą być wytwarzane przez sieć wodną.
- Wysokowydajna sprężarka może produkować dźwięk pulsujący lub o wysokiej częstotliwości.

- Woda wypytywająca ze zbiornika na odparowywacz może wytwarzać specyficzny plusk.
- Woda pływająca z odparowywacza do zbiornika może wydawać specyficzny plusk.
- W momencie zakończenia każdego cyklu można usłyszeć bulgotanie spowodowane przepływem środka chłodniczego w kostkarence.
- Można usłyszeć szum powietrza wydmuchiwanego nad skraplaczem przez wentylator. W trakcie cyklu zbierania lodu, można usłyszeć dźwięk kostek wpadających do pojemnika.
- Po pierwszym uruchomieniu kostkarki usłyszą Państwo dźwięk nieprzerwanego przepływu wody. Kostkarka przed rozpoczęciem wytwarzania lodu przeprowadzi cykl płukania.

## Przygotowanie kostkarki do lodu do długiego przechowywania

Jeśli kostkarka nie będzie używana przez dłuższy czas lub jeśli ma zostać przewieziona w inne miejsce, konieczne jest usunięcie całej wody z układu.

1. Wyłączyć urządzenie i wyciągnąć wtyczkę z gniazdka.
2. Zakręcić dopływ wody przy głównym źródle wody.
3. Odtąć wąż dopływu wody od zaworu dopływowego wody.
4. Wyciągnąć rurkę odpływu wody ze zbiornika wody (oznaczoną na rysunku literą H) aby wypuścić całą wodę ze zbiornika. Po wypuszczeniu wody, zamocować rurkę wody na jej pierwotnym miejscu.
5. Wypuścić całą wodę z gniazda odpływu wody z tyłu urządzenia (nr 7 na rysunku).

6. Odtąć wąż odpływu wody od rury ściekowej lub odpływu w podłodze i nakręcić nakrętkę na gniazdo odpływu wody.
7. Zostawić drzwiczki otwarte w celu umożliwienia przepływu powietrza i by zapobiec powstawaniu pleśni.
8. Wąż dopływu wody i kabel zasilania powinny być odłączone do momentu kolejnego użycia kostkarki.
9. Osuszyć wnętrze urządzenia i wytrzeć obudowę zewnętrzną.
10. Natoczyć na kostkarkę foliową torbę, aby zapobiec przedostawaniu się do urządzenia kurzu i brudu.

## Czyszczenie i konserwacja

**OSTRZEŻENIE:** Do mycia/odkazywania kostkarki do lodu nie należy stosować jakiegokolwiek alkoholu lub aerozoli. Może to spowodować pęknięcia części plastikowych. Przynajmniej raz do roku należy wezwać wykwalifikowanego serwisanta do przeprowadzenia kontroli i czyszczenia skraplacza, by zapewnić prawidłowe działanie urządzenia. Urządzenie należy czyścić przy pomocy strumienia wody.

**UWAGA:** Jeśli kostkarka do lodu nie była wykorzystywana przez dłuższy czas, przed jej kolejnym użyciem należy ją dokładnie umyć. Należy ściśle przestrzegać instrukcji czyszczenia lub stosowania środków dezynfekujących. Kostkarkę należy dokładnie oczyścić

ze wszelkich środków czyszczących po umyciu. Okresowe mycie i prawidłowa konserwacja zapewnią wydajność, niezawodne działanie oraz odpowiednią higienę i żywotność urządzenia. Należy zachować rozsądne odstępy czasowe pomiędzy kolejnymi cyklami konserwacji. Jeżeli posiadają Państwo zwierzęta domowe, urządzenie używane jest na zewnątrz budynku, lub występują inne specjalne względy, wskazane jest skrócenie tych odstępów czasowych. Prosimy pamiętać, że w pojemniku na lód nie należy przechowywać niczego, co nie jest lodem: przedmioty takie jak butelki wina lub piwa są nie tylko niehigieniczne, ale mogą się z nich odkleić etykiety i zablokować rurkę odpływu wody.

## Czyszczenie obudowy zewnętrznej

Drzwiczki i szafkę można myć tagodnym środkiem myjącym i ciepłą wodą. Nie stosować środków zawierających rozpuszczalniki ani środków ściernych bądź żrących. Myć przy pomocy miękkiej gąbki i splotać czystą wodą, a następnie wytrzeć do sucha by zapobiec powstawaniu zacieków.

## Czyszczenie wnętrza urządzenia

### Pojemnik na kostki lodu

Pojemnik na kostki lodu należy od czasu do czasu odkazić. Należy go umyć przed pierwszym użyciem kostkarki oraz przed jej ponownym użyciem po dłuższej przerwie. Pusty pojemnik najlepiej odkazić po jego wyjęciu z urządzenia.

1. Odtąć urządzenie od zasilania elektrycznego.
2. Otworzyć drzwiczki i przy pomocy wilgotnej ściereczki przetrzeć wewnątrz roztworem odkażającym sporządzonym z 28 g domowego wybielacza lub chloru i 7,5 l gorącej wody.

## Czyszczenie elementów produkujących lód

W trakcie użytkowania należy okresowo czyścić główny zespół kostkarki do lodu.

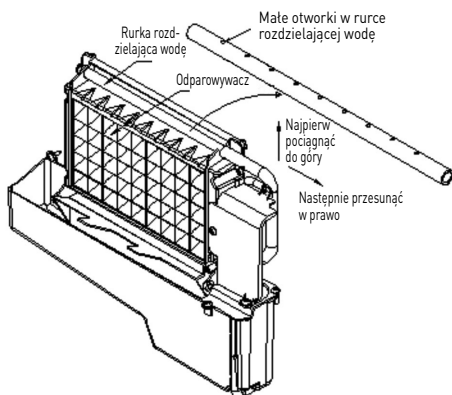
1. Powtórzyć opisane wyżej czynności w celu umycia zbiornika wody oraz innych elementów wewnętrznych jednostki.
2. Dodatkowo wyczyścić rurkę rozdzielającą wodę na odparowywacz; zdemontować ten element i wyczyścić każdy mały otwór pokazany na poniższym rysunku sprawdzając, czy nie jest ona zablokowana, a następnie zamontować ją z powrotem na jej właściwym miejscu.
3. Jeśli na powierzchni odparowywacza znajdują się kostki lodu, których nie można zdjąć, nie należy ich usuwać na sitę; wystarczy wcisnąć guzik "❏" na ponad 5 sekund a urządzenie przejdzie w fazę topienia lodu: kostki lodu ewentualnie same odpadną. Wyłączyć urządzenie i odtąć kabel zasilający od gniazdka aby umyć powierzchnię odparowywacza.

**UWAGA:** Modele ze stali nierdzewnej wystawione na działanie gazu lub wilgoci zawierających chlor, jak np. w okolicach centrów odnowy biologicznej lub basenów, mogą ulec pewnemu przebarwieniu części ze stali. Przebarwienie spowodowane działaniem chloru jest zjawiskiem naturalnym.

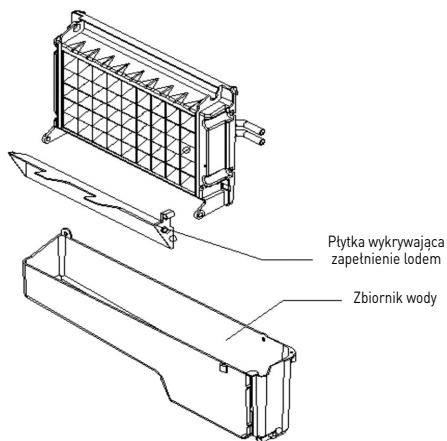
3. Obficie splotać czystą wodą. Woda odpadowa zostanie wypuszczona przez przewód odpływowy.
4. Ponownie podłączyć urządzenie do sieci zasilania elektrycznego.

Szufelkę do lody należy myć regularnie, jak inne pojemniki na żywność.

**OSTRZEŻENIE:** Nie stosować środków zawierających rozpuszczalniki, środki ściernie bądź żrące – mogą one wpłynąć na smak lodu.



#### 4. Zbiornik wody i płytka wykrywająca zapełnienie lodem



Zbiornik wody i płytka wykrywająca zapełnienie lodem mają także istotne znaczenie dla higieny kostek lodu. Do czystego spryskiwacza dodać mieszankę neutralnego środka myjącego i wody a następnie spryskać całą wewnętrzną powierzchnię zbiornika wody oraz płytki wykrywającej zapełnienie lodem. Starannie wytrzeć suchą, czystą ściereczką. Następnie wypuścić wodę użytą do mycia ze zbiornika wody wyjmując rurkę odpływową (oznaczoną literą H na ilustracji). Po wypuszczeniu całej wody, umieścić rurkę odpływową zbiornika wody na jej pierwotnym miejscu.

**Proszę pamiętać, by po myciu części wewnętrznych wyrzucić pierwszą partię wytworzonego lodu.**

#### Usuwanie kamienia kottowego

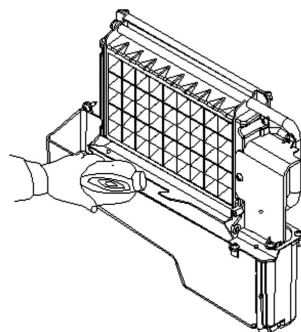
Minerały wytrącone z wody w trakcie cyklu mrożenia z czasem utworzą twardą warstwę kamienia w układzie przepływu wody. Regularne mycie układu pomaga w usunięciu nagromadzonego kamienia. To, jak często należy myć układ, zależy od twardości stosowanej wody. W przypadku twardej wody (o twardości od 4 do 5 granów na litr), czyszczenie należy przeprowadzać co 6 miesięcy.

1. Wyłączyć kostkarkę. Nie odłączać jej od sieci wodociągowej i odprowadzającej. Zakręcić kran głównego źródła wody.
2. Otworzyć drzwiczki i przy pomocy szufelki usunąć wszystkie kostki lodu, a następnie włożyć do lodówki bądź zamrażarki lub wyrzucić.
3. Sporządzenie roztworu myjącego. Wymieszać środek myjący do kostkarek do lodu o nazwie Nu-Calgon Nickle Safe Ice Machine Cleaner z wodą w celu stworzenia roztworu myjącego.

**OSTRZEŻENIE:** Podczas postugiwania się środkiem czyszczącym do kostkarek do lodu należy założyć rękawice i okulary ochronne.

W pojemnik plastikowym lub ze stali nierdzewnej o pojemności ponad 4 litrów wymieszać 300 ml środka Nu-Calgon Nickle Safe Ice-machine Cleaner z 2,8 l gorącej wody o temperaturze około 50-60°C. Następnie, mieszankę należy podzielić na dwie równe części w dwóch kubkach. Utrzymać temperaturę roztworu myjącego w każdym kubku.

4. Upewnić się, że rurka odpływu wody z pojemnika wody została prawidłowo zamocowana w otworze w ścianie zbiornika. Następnie włączyć jeden kubek roztworu środka Nickel-Safe Ice Maker Cleaning Solution do zbiornika wody. Odczekać 5 minut.



5. Włączyć zasilanie kostkarki do lodu, po czym wcisnąć na ponad 5 sekund przycisk "Clean" na panelu sterowania w celu uruchomienia programu samooczyszczania. W trakcie tego procesu zaświeci się będzie lampka "Clean", a wyświetlacz cyfrowy wskazywać będzie pozostały do końca czas.
  6. Po zakończeniu jednego pełnego cyklu programu samooczyszczania należy wyciągnąć rurkę odpływową zbiornika wody, wypuścić roztwór myjący do znajdującego się niżej pojemnika na lód, lekko potrząsając urządzeniem, by pozbyć się resztek wody. Następnie ponownie włożyć rurkę odpływową w otwór w zbiorniku wody.
  7. Powtórzyć kroki 4–6, aby ponownie wymyć ze spót wytwornicy lodu.
- OSTRZEŻENIE:** Środek do mycia kostkarki zawiera kwasy. NIE WOLNO go używać lub mieszać z innymi środkami myjącymi zawierającymi rozpuszczalniki. Chronić ręce zabezpieczając je gumowymi rękawicami. Należy uważnie przeczytać instrukcję bezpieczeństwa materiału na opakowaniu środka myjącego do kostkarek.

## Wskazówki dotyczące mycia

### 1) CODZIENNE MYCIE

Szufelkę do lodu, drzwiczki i rurkę rozdzielającą wodę należy myć codziennie. Na koniec dnia, optukać szufelkę do lodu i wytrzeć obie strony drzwiczek czystą ściereczką.

### 2) MYCIE CO DWA TYGODNIE

Szufelkę do lodu, pojemnik na lód, zbiornik wody, płytę wykrywającą zapętnienie lodem oraz powierzchnię odparowywacza należy myć co dwa tygodnie, zgodnie z programem mycia wnętrza urządzenia.

### 3) MYCIE CO 6 MIESIĘCY

Wszystkie elementy i powierzchnie mające kontakt z wodą lub kostkami lodu, takie jak pojemnik na lód, zbiornik wody, drzwiczki, odparowywacz, pompa wody, rurka silikonowa, rurka rozdzielająca wodę, itp. należy co 6 miesięcy umyć z użyciem środka **Nu-Calgon Nickle Safe Ice-machine Cleaner**.

## Rozwiązywanie problemów

Problem	Możliwa przyczyna	Rozwiązanie
Świeci się wskaźnik "ADD WATER" [DOLEJ WODY].	Brak dopływu wody	Sprawdzić ciśnienie głównego źródła wody lub sprawdzić, czy wąż dopływu wody nie jest zablokowany i w razie potrzeby zwiększyć ciśnienie wody lub wyczyścić wąż.
	Pływak wyłącznika wykrywającego poziom wody został zablokowany i nie może się podnieść	Wymyć zbiornik wody i wyłącznik wykrywający poziom wody.
	Woda wypływa ze zbiornika wody	Umieścić kostkarkę na równej powierzchni.
	Woda wypływa z rurki odpływowej zbiornika wody tank.	Wyciągnąć rurkę i zamocować ją prawidłowo w otworze zbiornika wody.
Miga wskaźnik "ADD WATER" [DOLEJ WODY].	Uszkodzenie węża dopływu wody lub bardzo powolny dopływ wody.	Sprawdzić ciśnienie głównego źródła wody lub sprawdzić, czy wąż dopływu wody nie jest zablokowany i w razie potrzeby zwiększyć ciśnienie wody lub wyczyścić wąż.
Pompa wody pracuje, lecz z rurki rozdzielającej wodę nie wypływa woda	Małe otwory w rurce rozdzielającej wodę zostały zablokowane.	Udrożnić otwory.
Przezroczystość kostki lodu jest niezadowalająca	Niska jakość wody	Zmienić źródło wody lub zastosować filtr w celu zmiękczenia wody.
Kształt kostki lodu jest nieregularny	Zła jakość wody lub wysokie zabrudzenie zbiornika wody	Wymyć zbiornik wody i nalać świeżej wody.
	Niektóre otwory w rurce rozdzielającej wodę zostały zablokowane.	Wymyć rurkę rozdzielającą wodę, pilnując, by wszystkich dziewięć otworków było drożnych.
Kostka lodu jest bardzo cienka	Zbyt wysoka temperatura otoczenia	Przenieść urządzenie do miejsca o niższej temperaturze lub wydłużyć czas trwania każdego cyklu produkcji lodu.
	Przepływ powietrza wokół urządzenia jest słaby	Zapewnić co najmniej 20 centymetrowy odstęp pomiędzy przednią i tylną ścianką urządzenia a przeszkodą
Kostka lodu jest zbyt gruba	Zbyt niska temperatura otoczenia	Skrócić czas trwania każdego cyklu produkcji lodu.
Świeci się wskaźnik "FULL"	Pojemnik na lód jest pełen kostek lodu.	Wyjąć część kostek lodu
Cykl produkcji lodu jest normalny, ale nie wyprodukowana została żadna kostka lodu	Zbyt wysoka temperatura otoczenia lub wody w zbiorniku wody	Przenieść urządzenie do miejsca o temperaturze niższej niż 32°C i przetrząść urządzenie do źródła wody o niskiej temperaturze
	Wyciek środka chłodniczego	Konieczna naprawa przez serwisanta
	Zablokowana rura układu chłodzącego	Konieczna naprawa przez serwisanta

## Wskaźniki błędów

E1: Awaria czujnika temperatury otoczenia

E2: Jeśli czas trwania cyklu produkcji lodu wyniesie ponad 35 minut urządzenie zostanie automatycznie wyłączone. Ma to na celu ochronę urządzenia w przypadku braku środka chłodniczego w układzie chłodzącym lub awarii sprężarki.

## Gwarancja

Każda wada bądź usterka powodująca niewłaściwe funkcjonowanie urządzenia, która ujawni się w ciągu jednego roku od daty zakupu, zostanie bezpłatnie usunięta lub urządzenie zostanie wymienione na nowe, o ile było użytkowane i konserwowane zgodnie z instrukcją obsługi i nie było wykorzystywane w niewłaściwy sposób lub niezgodnie z przeznaczeniem. Postanowienie to w żadnej mierze nie narusza innych praw użytkownika wynikających z przepisów prawa. W przypadku zgłoszenia urzą-

żenia do naprawy lub wymiany w ramach gwarancji należy podać miejsce i datę zakupu urządzenia i dołączyć dowód zakupu (np. paragon).

Zgodnie z naszą polityką ciągłego doskonalenia wyrobów zastrzegamy sobie prawo do wprowadzania bez uprzedzenia zmian w wyrobie, opakowaniu oraz danych technicznych podawanych w dokumentacji.

## Wycofanie z użytkowania i ochrona środowiska

### Pamiętaj!

**Nie wyrzucaj zużytego sprzętu łącznie z innymi odpadami**

**Nie demontuj zużytych urządzeń zawierających niebezpieczne składniki na własną rękę!**

**Grożą Ci za to kary grzywny!**

Po zakończeniu eksploatacji produktu nie wolno gromadzić razem z odpadami komunalnymi, tylko należy odstawić do punktu odbioru odpadów elektrycznych i elektronicznych. Użytkownik ponosi odpowiedzialność za przekazanie wycofanego z użytkowania urządzenia do punktu gospodarowania odpadami. Nieprzestrzeganie tej zasady może być karane zgodnie z lokalnie obowiązującymi przepisami dotyczącymi gospodarowania odpadami. Jeśli urządzenie wycofane z użytkowania jest poprawnie odebrane jako osobny odpad, może zostać przetworzone i zutylizowane w sposób przyjazny dla środowiska, co zmniejsza negatywny wpływ na środowisko i zdrowie ludzi. Aby uzyskać więcej informacji dotyczących dostępnych usług w zakresie odbioru odpadów, należy skontaktować się z lokalną firmą odbierającą odpady.



**Symbol przekreślonego kosza na śmieci oznacza, że tego produktu nie wolno wyrzucać do zwykłych pojemników na odpady.**

Zużyte urządzenia elektryczne i elektroniczne mogą zawierać niebezpieczne składniki np. rtęć, ołów, kadm lub freon. Jeśli tego typu substancje przedostaną się w sposób niekontrolowany do środowiska, spowodują skażenie wody i gleby, a także wpłyną niekorzystnie na zdrowie ludzi i zwierząt.


Właściwe postępowanie ze zużytym sprzętem zapobiega potencjalnym negatywnym konsekwencjom dla środowiska naturalnego i ludzkiego zdrowia.

Jednocześnie oszczędzamy naturalne zasoby naszej Ziemi wykorzystując powtórnie surowce uzyskane z przetwarzania sprzętu.

Cher client,

Merci d'avoir acheté cet appareil Arktic. Lisez attentivement ce manuel, en accordant une attention particulière aux règles de sécurité décrites ci-dessous, avant d'installer et d'utiliser cet appareil pour la première fois.

## Règlement sur la sécurité

- Cet appareil est destiné pour des buffets et à un usage domestique.
- N'utilisez l'appareil qu'aux fins prévues pour lesquelles il a été conçu comme décrit dans le présent manuel.
- Le fabricant n'est pas responsable des dommages causés par un mauvais fonctionnement et une mauvaise utilisation.
- Gardez l'appareil et la prise électrique à l'écart de l'eau et des autres liquides. Dans le cas où l'appareil tombe dans l'eau, retirez immédiatement la prise d'alimentation de la prise. N'utilisez pas l'apppliance tant qu'elle n'a pas été vérifiée par un technicien certifié. Si vous ne respectez pas ces instructions, vous risquez de mettre la vie en danger.
- N'essayez jamais d'ouvrir le boîtier de l'appareil par vous-même.
- N'insérez pas d'objets dans le boîtier de l'appareil.
- Ne touchez pas la prise avec les mains mouillées ou humides.
-  **DANGER DE CHOC ÉLECTRIQUE!** N'essayez pas de réparer l'appareil par vous-même, les réparations doivent être effectuées uniquement par du personnel qualifié.
- **N'utilisez jamais un appareil endommagé!** Lorsqu'il est endommagé, débranchez l'appareil de la prise et contactez le détaillant.
- **AVERTISSEMENT!** Ne pas immerger les parties électriques de l'appareil dans de l'eau ou d'autres liquides.
- Ne tenez jamais l'appareil sous l'eau courante.
- Vérifiez régulièrement la prise d'alimentation et le cordon pour tout dommage. Lorsqu'il est endommagé, il doit être remplacé par un agent de service ou une personne qualifiée de la même manière afin d'éviter un danger ou une blessure.
- Assurez-vous que le cordon n'entre pas en contact avec des objets tranchants ou chauds et maintenez-le à l'écart du feu ouvert. Ne tirez jamais le cordon d'alimentation pour le débrancher de la prise, tirez toujours la prise à la place.
- Assurez-vous que le cordon d'alimentation et/ou le rallonge ne présentent pas de risque de déclenchement.
- Ne laissez jamais l'apppliance sans surveillance pendant l'utilisation.
- **AVERTISSEMENT!** Tant que la prise est dans la prise, l'apppliance est connectée à la source d'alimentation.
- Éteignez l'apppliance avant de le débrancher de la prise.
- Connectez la prise d'alimentation à une prise électrique facilement accessible afin qu'en cas d'urgence l'appareil puisse être débranché immédiatement.
- Ne portez jamais l'appareil par le cordon.
- N'utilisez pas de périphériques supplémentaires qui ne sont pas fournis avec la solution matérielle-logicielle.

FR

- Connectez uniquement l'appareil à une prise électrique dont la tension et la fréquence sont indiquées sur l'étiquette de l'appareil.
- N'utilisez jamais d'accessoires autres que ceux recommandés par le fabricant. Le fait de ne pas le faire pourrait présenter un risque pour la sécurité de l'utilisateur et pourrait endommager l'appareil. Utilisez uniquement des pièces et accessoires d'origine.
- Cet appareil ne doit pas être utilisé par des personnes ayant des capacités physiques, sensorielles ou mentales réduites, ou par des personnes qui ont un manque d'expérience et de connaissances.
- Cet appareil ne doit en aucun cas être utilisé par des enfants.
- Gardez l'appareil et son cordon d'alimentation hors de portée des enfants.
- **ATTENTION:** éteignez TOUJOURS l'appareil et débranchez de la prise d'alimentation avant le nettoyage, l'entretien ou le stockage.

## Règlement spécial sur la sécurité

- Cet appareil est destiné à une utilisation dans des applications domestiques et équivalentes telles que
  - 1) les zones de cuisine pour le personnel dans les magasins, les bureaux et autres environnements de travail;
  - 2) Les fermes et clients d'hôtels, de motels et autres types d'environnements résidentiels;
  - 3) les environnements de type Bed and Breakfast;
  - 4) Restauration et applications équivalentes non commerciales.
- Cet appareil doit être utilisé par un personnel qualifié dans les cuisines de restaurants, les cantines ou le personnel de bar, etc.
-  **ATTENTION! Surface chaude!** La surface est chaude lorsque l'appareil fonctionne. Touchez uniquement le panneau de contrôle.
-  **ATTENTION! Risque d'incendie!** Cet appareil utilise le réfrigérant R290. C'est un gaz réfrigérant très inflammable. L'isolant, qui a été utilisé dans cet appareil, est du Cyclopentane. Ils sont très inflammables.
- Ne placez pas l'appareil sur un objet chauffant (cuisinière à gaz, électrique, charbon de bois, etc.). Tenez l'appareil éloigné de toute surface chaude et des flammes nues. Faites toujours fonctionner l'appareil sur une surface plane, stable, propre, résistante à la chaleur et sèche.
- Cet appareil n'est pas destiné à être utilisé avec un système disposant d'une minuterie externe ou à télécommande séparé.
- **ATTENTION :** Veillez à ce qu'aucune ouverture de ventilation de l'enceinte de l'appareil ne soient obstruées.
- **ATTENTION :** N'utilisez pas de dispositifs mécaniques ou d'autres dispositifs pour accélérer le processus de dégivrage, autres que ceux recommandés par le fabricant.
- **ATTENTION :** N'endommagez pas le circuit de réfrigérant.
- **ATTENTION :** Remplissez uniquement avec de l'eau potable.



- Ne stockez pas de substances explosives telles que des bombes aérosol contenant un agent propulseur inflammable dans cet appareil.
- Au cours de l'utilisation, laissez un espace d'au moins 20 cm autour de l'appareil pour la ventilation.
- N'utilisez pas d'ustensiles durs pour frapper la surface extérieure. Ne rincez pas au jet d'eau directement avec de l'eau ou un nettoyeur à vapeur car les pièces seront mouillées et cela pourrait entraîner un choc électrique.
- Ne l'exposez pas à la lumière directe du soleil. Évitez les chocs mécaniques et les vibrations.
- Déplacez ou transportez toujours l'appareil dans une position verticale sous peine d'endommager l'appareil.
- **AVERTISSEMENT !** Installez le cordon d'alimentation en toute sécurité si nécessaire afin d'éviter toute traction involontaire ou tout contact avec la surface de chauffe.
- Ne nettoyez pas ou ne rangez pas l'appareil tant qu'il n'est pas complètement refroidi.
- Aucune pièce ne doit être lavée au lave-vaisselle.

### ATTENTION:

Les couleurs des fils dans le cordon d'alimentation désignent :

Vert-jaune:	Mise à terre
Bleu:	Zéro
Brun:	Phase

Comme les couleurs des fils dans le cordon d'alimentation peuvent ne pas correspondre aux couleurs sur les bornes de votre prise, il y a lieu d'agir comme suit :

Le fil vert et jaune doit être connecté à la borne de la prise indiquée par les lettres E, G ou par symboles, ou par la couleur verte ou vert-jaune.

Le fil bleu doit être connecté à la borne indiquée par la lettre N.

Le fil brun doit être connecté à la borne indiquée par la lettre L.

**ATTENTION:** Les glaçons confectionnés peuvent être collés l'un à l'autre et il faut les séparer avant l'utilisation.

---

### Utilisation prévue

- Cet appareil est destiné pour des buffets et à un usage domestique.
- L'appareil est destiné uniquement à la fabrication de glaçons. L'utilisation de l'appareil à d'autres fins peut entraîner des dommages ou des blessures.
- L'utilisation de l'appareil à d'autres fins sera considérée comme une utilisation inappropriée. L'utilisateur sera seul responsable de l'utilisation incorrecte de l'appareil.

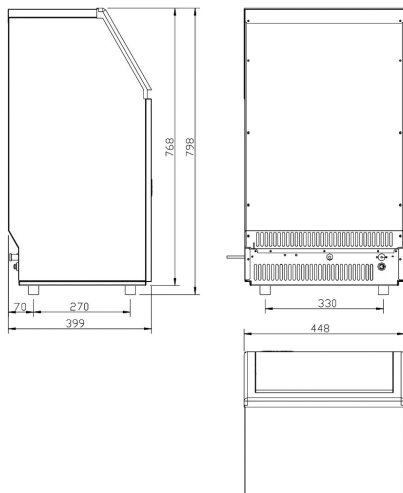
## Installation de mise à la terre

Cet appareil est classé dans la **classe de protection I** et doit être raccordé à un sol de protection. La mise à la terre réduit le risque de choc électrique en fournissant un fil d'évacuation pour le courant électrique. Cet appareil est équipé d'un cordon

d'alimentation muni d'un fil de mise à la terre et d'une prise mise à la terre. La fiche doit être branchée sur une prise correctement installée et mise à la terre.

## Spécification technique

### 1) Dimensions/Connexions



FR

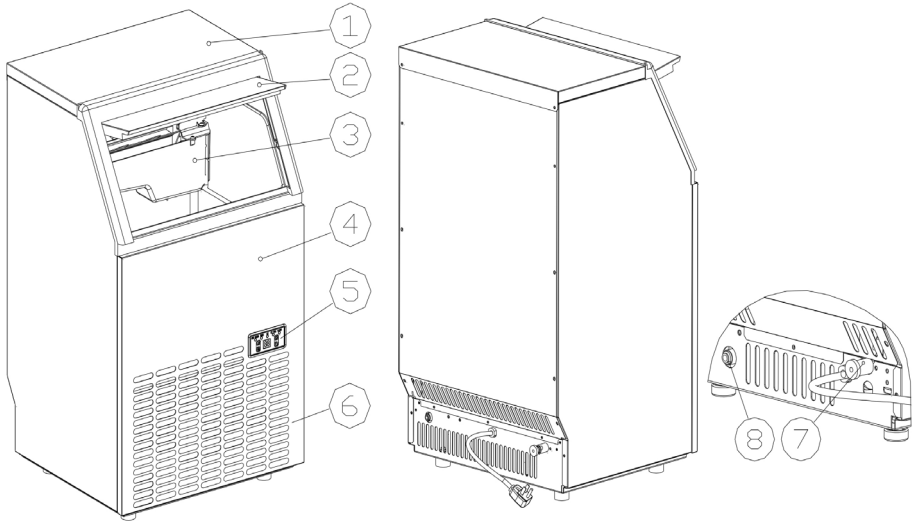
### 2) Valeurs nominales

N° de l'article	271575	
Tension et fréquence	220-240V~ /50Hz	
Courant nominal	2,2A	
Puissance d'entrée minimale	280W	
Réfrigérant utilisé et quantité d'injection	R290 / 95g	
Classe climatique	SN-T	
Agent d'expansion inflammable	Cyclopentane	
Classe de protection	Classe I	
Conditions de fonctionnement	Température ambiante Température de l'eau Pression de l'eau	10°C ~ 38°C 5°C ~ 35°C 0,04 ~ 0,6 MPa
Poids net (environ)	27kg	
Dimension	448x400x(H)798mm	

**Remarque : La spécification technique peut être modifiée sans notification préalable.**

## Informations generales

### 1) Construction du dispositif principal

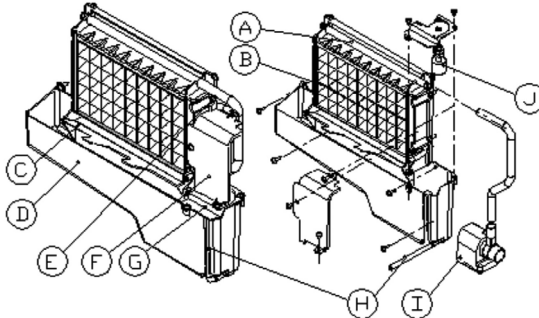


1. Couvercle supérieur
2. Portière
3. Dispositif - générateur de glaçons et réservoir d'eau
4. Panneau frontal
5. Panneau de commande
6. Sortie de l'air : Il est indispensable d'assurer une circulation de l'air libre ; lors du fonctionnement est soufflé l'air chaud.

7. Orifice d'évacuation de l'eau.
8. Orifice d'alimentation en eau.

Accessoires: Tuyau blanc d'évacuation de l'eau d'une longueur de 2 mètres, raccord à l'évier, tuyau blanc d'une longueur de 3 mètres pour alimentation en l'eau courante (ø 6,35 mm).

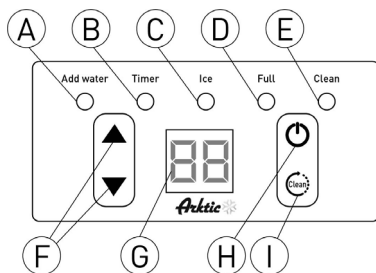
FR



- A. Tube séparateur de l'eau : avec neuf petits trous d'où sortira l'eau.
- B. Évaporateur (module du générateur de glaçons)
- C. Couvercle identifiant le remplissage du réservoir à glaçons.
- D. Réservoir d'eau.
- E. Tuyau d'alimentation en eau.

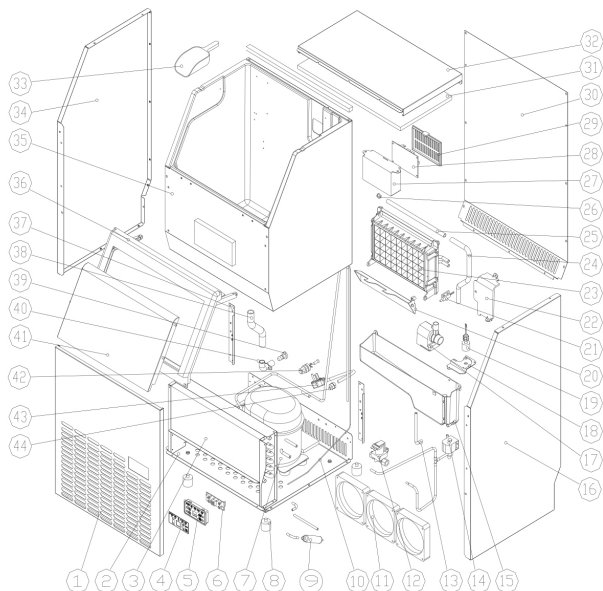
- F. Couvercle du côté droit de l'évaporateur.
- G. Plaque d'installation de l'interrupteur du niveau d'eau.
- H. Tuyau d'évacuation de l'eau du réservoir d'eau.
- I. Pompe d'eau.
- J. Interrupteur identifiant le niveau de l'eau.

## 2) Panneau de commande



- A. Voyant "Add water" [AJOUTER DE L'EAU]: Ce voyant clignotant signifie que l'alimentation en eau est trop lente ; ce voyant allumé sans arrêt signale l'absence d'eau dans la machine.
- B. Voyant "Timer" [MINUTERIE]: Ce voyant allumé signifie que la MINUTERIE a été activée. La minuterie peut être désactivée ou activée au moyen de la touche clean/timer.
- C. Voyant "Ice" [GLACE]: Ce voyant allumé signifie que la machine est en train de produire de glaçons ; quand il clignote, cela signifie que la machine est en train de ramasser les glaçons.
- D. Voyant "Full" [PLEIN]: Ce voyant s'allume quand la machine est pleine de glaçons.
- E. Voyant "Clean" [NETTOYAGE]: Ce voyant s'allume quand le nettoyage de la pompe à l'eau commence. Quand il clignote, le nettoyage de la pompe à l'eau est arrêté.
- F. La touche ▲, ▼: Au moyen de ces touches est réglée la durée de l'opération de production de glaçons. La valeur par défaut égale zéro et chaque appui sur la touche ▲ ou ▼ augmente ou diminue respectivement cette durée d'une minute. Dans le cas du réglage du retardement de la minuterie, la valeur par défaut égale zéro et chaque appui sur la touche ▲ ou ▼ augmente ou diminue respectivement cette durée d'une minute.
- G. Affichage: Dans les conditions normales le nombre qui s'affiche indique la température ambiante ; si l'affichage numérique clignote, la valeur affichée correspond au temps – exprimé en minutes – qui reste jusqu'à la fin d'une opération considérée, par exemple du cycle de production de glaçons, du programme de nettoyage automatique etc.
- H. La touche "⏻" [MARCHE/ARRET]: Quand la machine est arrêtée, il faut appuyer sur cette touche, pour la mettre en marche. Si vous y appuyez au cours de l'opération de nettoyage automatique ou pendant l'opération de production de glaçons, la machine est immédiatement arrêtée. Dans le cas où la minuterie est réglée, à l'aide de cette touche les tâches de la minuterie sont annulées. Si vous appuyez sur cette touche pendant plus de 5 secondes au cours de la production de glaçons, vous déclenchez le ramassage de glaçons.
- I. La touche "🔄" [PROGRAMMATION DU NETTOYAGE]: Pour accéder au programme de réglage de la minuterie, il faut appuyer sur cette touche une fois. Afin d'entrer dans le programme de nettoyage (Cleaning), il faut appuyer encore 5 secondes de plus sur ce bouton quand la machine est éteinte.

## Vue éclatée



N°	Libellé	Quantité	Observations	N°	Libellé	Quantité	Observations
1	Panneau frontal	1		24	Tuyau d'alimentation en eau	1	
2	Panneau inférieur	1		25	Tube de séparation de l'eau, avec neuf orifices	1	
3	Condenseur	1		26	Capsule du tube de séparation de l'eau	1	
4	Plaquette PBC du panneau de commande	1		27	Boîtier de la plaquette PBC du circuit électrique	1	
5	Boîtier de la plaquette PBC du panneau de commande	1		28	Plaquette PBC du module de commande principal	1	
6	Plaquette PBC du panneau de commande	1		29	Couvercle de la plaquette PBC du module de commande principal	1	
7	Compresseur	1		30	Panneau arrière	1	
8	Pied réglable	4		31	Mousse d'isolation du couvercle supérieur	1	
9	Filtre sec	1		32	Couvercle supérieur	1	
10	Capillaire	1		33	Pelle à glaçons	1	
11	Ventilateur DC	3		34	Panneau latéral gauche	1	
12	Robinet de l'eau d'alimentation	1		35	Armoire intérieure recouverte de mousse d'isolation et bac à glaçons	1	
13	Tuyau d'évacuation de l'eau du réservoir d'eau	1		36	Cadre de la portière	1	
14	Électrovanne pour le processus de ramassage de glaçons	1		37	Panneau inférieur renforcé	1	
15	Réservoir d'eau	1		38	Tuyau d'évacuation de l'eau de l'armoire intérieure	1	
16	Panneau latéral droit	1		39	Bouchon de la sortie de l'eau	1	
17	Pompe du circuit d'eau	1		40	Orifice d'évacuation de l'eau	1	
18	Couvercle du réservoir d'eau	1		41	Portière	2	
19	Interrupteur identifiant le niveau de l'eau	1		42	Orifice d'alimentation en eau	1	
20	Couvercle identifiant le remplissage du réservoir à glaçons	1		43	Câble d'alimentation	1	
21	Commutateur de commande magnétique	4		44	Bride du câble d'alimentation	1	
22	Couvercle du côté droit de l'évaporateur	1		45	Câblage	1	
23	Évaporateur et son cadre	1					

## Deballage de la machine à glaçons

1. Enlever l'emballage extérieur et intérieur. Vérifier si tous les accessoires sont joints, y compris le manuel d'utilisation, la pelle à glaçons, tuyau de l'eau d'alimentation, raccords rapides 4 fils à 2 fils, tuyau d'évacuation de l'eau etc. En cas d'absence d'un accessoire quel qu'il soit, contacter notre service clients.
2. Conservez l'emballage si vous avez l'intention de stocker votre appareil à l'avenir.
3. Retirer les sangles fixant la portière et l'armoire intérieure, la pelle à glaçons etc. Nettoyer l'armoire intérieure et la pelle à glaçons avec un chiffon humide.
4. Installer la machine à glaçons sur une surface plane et de niveau, à l'endroit où elle ne sera pas exposé aux rayons du soleil et à l'écart de tout

autre source de chaleur (telles que four, cuisinière, radiateur etc.). Prévoir au minimum 20 cm d'espace entre la sortie de l'air et les obstacles et au minimum 5 cm entre la paroi latérale gauche/droite et le mur.

5. Avant de brancher la machine à glaçons à la source d'alimentation, la laisser se reposer pendant 4 heures pour permettre au fluide frigorigène de descendre parce que la machine aurait pu être renversée dans le transport.
6. La machine doit être installée à l'endroit qui assure à l'opérateur de celle-ci un accès libre à la prise électrique.

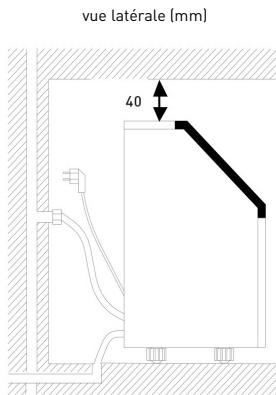
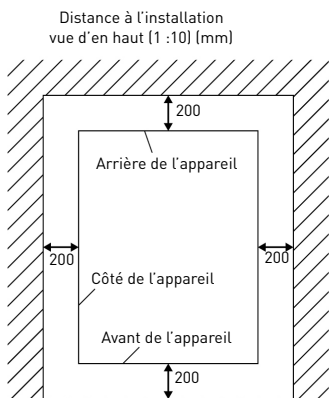
**AVERTISSEMENT:** Pour la production de glaçons n'utiliser que de l'eau potable.

## Exigences relatives à l'endroit de l'installation de la machine à glaçons

- a) Maintenir la température ambiante et la température de l'eau entrant dans la machine dans les limites indiquées dans le tableau des spécifications. Si ces exigences ne sont pas remplies, le fonctionnement de la machine à glaçons peut être moins satisfaisant.
- b) La machine ne doit pas être installée à proximité des sources de chaleur.
- c) La machine doit être installée sur un support du-

table et plane, à la hauteur normale d'un comptoir.

- d) Il doit y avoir au moins 200 mm de dégagement autour de l'appareil et 40 mm de dégagement à partir du haut pour assurer une bonne ventilation.
- e) Il est interdit de placer quoique ce soit sur la partie supérieure de la machine à glaçons.



Dans le cas de l'installation de la machine à glaçons sous un comptoir, ne pas oublier de garder les distances requises (spécifiées ci-dessus). Placer les câbles d'alimentation électriques, les tuyaux d'alimentation en eau et ceux d'évacuation dans les emplacements préconisés présentés sur le schéma ci-dessus.

Pour l'installation de la machine choisir un endroit bien ventilé, avec une température de plus de 10°C et au-dessous de 32°C. La machine DOIT nécessairement être installée à l'endroit protégé contre

les facteurs tels que vent, pluie, l'eau qui suinte ou s'égoutte.

La machine à glaçons requiert une alimentation continue en eau sous pression de 1 à 8 Bars comme il est spécifié dans le tableau des valeurs nominales. Pour assurer un bon fonctionnement de la machine à glaçons, la température de l'eau à l'arrivée à celle-ci doit avoir une température de 5°C à 25°C.

### Exigences et connexion électriques

**AVERTISSEMENT:** LA MACHINE DOIT ETRE MISE A TERRE

- Avant de placer la machine à glaçons à l'endroit prévu à son installation, s'assurer s'il y existe le dispositif de connexion requis.
- Il est préconisé de prévoir un circuit électrique séparé dédié spécifiquement à la connexion de la machine à glaçons. Il faut utiliser les prises qu'il

est impossible de déconnecter avec un interrupteur ou une chaînette. Le remplacement éventuel du câble d'alimentation ou de la fiche doit être confié à un professionnel agréé.

- Cette machine à glaçons requiert une alimentation d'une tension de 220 à 240 V, 50 Hz avec mise à terre adéquate.

### Lavage de la machine à glaçons avant la première utilisation

1. Ouvrir la portière.
2. Laver avec de l'eau chaude et du détergent avec un chiffon doux.
3. Laver plusieurs fois les éléments internes qui restent en contact avec l'eau. Retirer le tuyau d'évacuation du réservoir d'eau, indiqué par la lettre "H" sur le schéma ci-dessus afin d'évacuer du réservoir l'eau utilisée pour le lavage et ensuite laver le bac à glaçons. Puis évacuer toute l'eau utilisée pour le lavage par la sortie

d'évacuation de l'eau à l'arrière de l'appareil (numéro "7" sur le schéma ci-dessus). Réinstaller le tuyau d'évacuation d'eau, sinon l'appareil ne fonctionne pas correctement. Jeter le premier glaçon produit après le nettoyage.

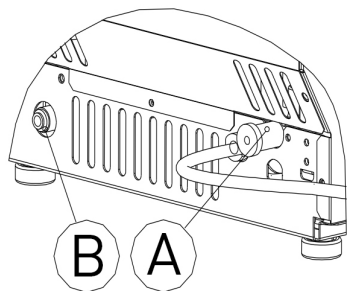
4. Laver régulièrement la surface externe de la machine à glaçons avec du détergent doux et de l'eau.
5. Essuyer la surface interne et externe avec un chiffon doux.

## Connexion de la machine à glaçons a l'eau

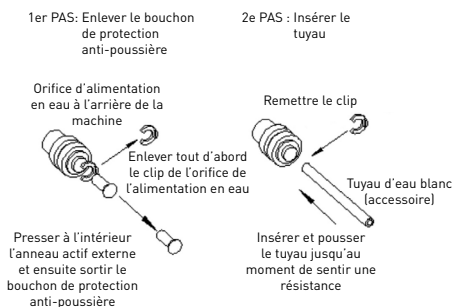
**ATTENTION:** Utiliser les tuyaux nouveaux fournis avec la machine.

Connecter le tuyau d'alimentation en eau à la machine

1er pas : Enlever le clip de l'orifice de l'alimentation en eau (désigné sur le schéma ci-dessous par la lettre "B") à l'arrière de la machine. Enlever le bouchon de protection anti-poussière.



2e pas : Introduire une extrémité du tuyau à l'orifice de l'alimentation en eau, presser et remettre le clip.



## Connexion du tuyau d'évacuation de l'eau

Enlever l'écrou de l'évacuation de l'eau noir (désigné par la lettre "A" sur le schéma ci-dessus), et ensuite connecter le tuyau blanc d'évacuation

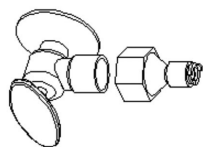
de l'eau et raccorder ensuite l'autre extrémité de celui-ci au tuyau de canalisation.

## Branchez le tuyau d'eau sur le robinet d'eau

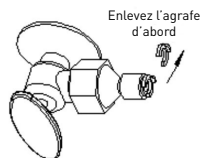
Le raccord rapide (livré avec la machine) doit être visé sur le robinet. Enlevez l'agrafe du raccord rapide. Ensuite mettez l'autre bout du tuyau d'eau dans le raccord rapide et réinstallez l'agrafe.

**Important:** La pression d'eau du système d'alimentation en eau principal doit être comprise entre 0,04 et 0,05 MPa.

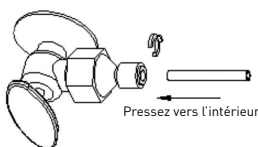
ÉTAPE 1: Raccord rapide et robinet d'eau



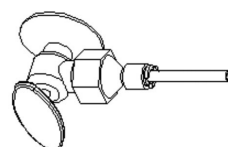
ÉTAPE 2: Visez le raccord rapide avec le filet de vis sur le robinet d'eau et enlevez l'agrafe



ÉTAPE 3: Insérez entièrement le tuyau d'eau



ÉTAPE 4: Réinstallez l'agrafe.





## Production de glaçons

1. Après avoir raccordé tous les tuyaux, connecter la machine à l'alimentation secteur. Ensuite, appuyer sur la touche "🔌" sur le panneau de commande pour démarrer le cycle de production de glaçons. Dans le même temps, le voyant 'Ice' s'allume. L'affichage numérique indique la température ambiante. Pendant l'opération de production de glaçons fonctionnent : le compresseur, le moteur du ventilateur et la pompe d'eau.
2. Chaque cycle de production de glaçons dure de 11 à 30 minutes en fonction de la température ambiante et de la température de l'eau.
3. Une fois l'opération de production de glaçons terminée, la machine passe en mode de ramassage de glaçons. En même temps, le système détecte le niveau de l'eau. Si celui-ci est trop bas, le voyant "Add water" se met à clignoter. Il faut ouvrir le robinet de l'eau d'alimentation pour remplir le réservoir d'eau. Une fois cette opération terminée, le voyant "Add water" s'éteint.
4. Après l'allumage du voyant "Full" la machine s'arrête. Après l'enlèvement d'une quantité suffisante de glaçons, la machine se remet en marche au bout d'environ 3 minutes.
5. Au cours de l'opération de production de glaçons, appuyer sur la touche ▲ ou ▼ pour modifier la durée de l'opération de production de glaçons. Cela entraîne la modification de l'épaisseur des glaçons. La valeur par défaut étant zéro, chaque appui sur la touche ▲ ou ▼ augmente ou diminue respectivement la durée de l'opération d'une minute. Au bout de 5 secondes suivant le dernier appui sur la touche le nouveau réglage est retenu par la machine.
6. Une mauvaise qualité de l'eau entraîne une mauvaise qualité des glaçons et réduit leur transparence.

**ATTENTION:** Les glaçons produits sont collés l'un à l'autre et il faut les séparer avant l'utilisation.

## Programme de nettoyage automatique

Commencement du nettoyage automatique : Après avoir connecté le tuyau à l'eau, connecter la machine au réseau d'alimentation électrique et appuyer, pendant 5 secondes au moins, sur la touche "🕒" pour déclencher le programme de nettoyage. Au cours de l'opération de nettoyage le voyant "Clean" reste allumé et sur l'affichage numérique est indiqué le temps qui reste jusqu'à la fin du

programme. Le programme de nettoyage automatique dure 30 minutes.

Annulation du nettoyage automatique : Un cycle entier de nettoyage automatique dure 30 minutes. Après avoir terminé le programme, la machine s'arrête automatiquement. Il est aussi possible de forcer l'arrêt du nettoyage automatique en appuyant sur la touche "🔌" sur le panneau de commande.

## Programmation de la minuterie (timer)

Comment programmer l'heure de la marche de la machine à glaçons au moyen de la minuterie (timer) : Quand la machine est arrêtée, appuyer sur la touche "Timer/Clean" pour programmer l'heure à laquelle la machine doit se mettre en fonctionnement. Le voyant "Timer" s'allume et le nombre qui clignote sur l'affichage numérique indique dans combien d'heures la machine à glaçons se mettra en marche. Quand le nombre sur l'affichage clignote, appuyer sur la touche ▲, ▼ pour ajouter ou réduire le nombre d'heure le réglage par défaut étant zéro. Passé cinq secondes après le réglage du temps celui-ci est retenu par la machine.

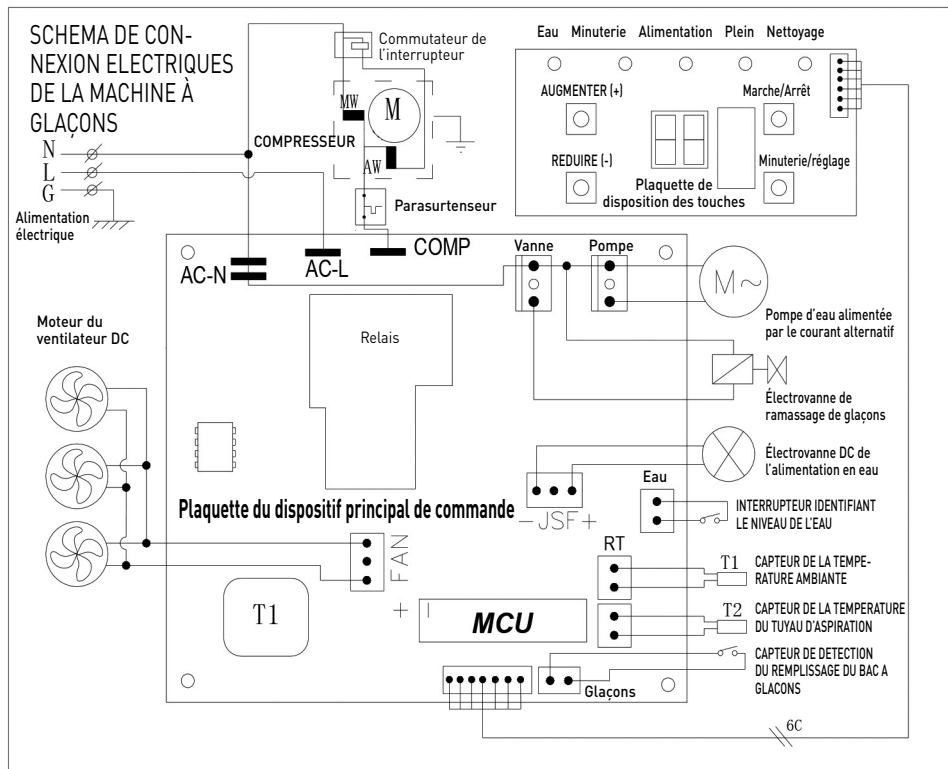
Comment annuler l'heure de la mise en marche de la machine : Appuyer sur la touche "TIMER/CLEAN", et le chiffre sur l'affichage numérique

clignote en affichant le décalage avec lequel la machine se mettra en marche, programmé dans la minuterie (timer). Appuyer encore une fois sur cette touche pour annuler le réglage. L'appui sur la touche "🔌" annule aussi le réglage de la minuterie.

Comment programmer l'heure de l'arrêt de la machine à glaçons au moyen de la minuterie (timer) : Quand la machine est en marche, appuyer sur la touche "Timer/Clean" pour programmer l'heure à laquelle la machine doit s'arrêter. Procéder ensuite selon le mode indiqué dans le point ci-dessus.

Comment annuler l'heure de l'arrêt de la machine : La procédure est identique à la procédure d'annulation de l'heure de la mise en marche.

## Schema des connexions internes



## Bruits

Votre nouvelle machine à glaçons peut produire des bruits peu typiques qui, dans la majorité des cas sont naturels. Les surfaces dures, par ex. sol, murs ou armoires peuvent amplifier ces bruits et ainsi ils peuvent paraître plus forts qu'ils ne le sont dans la réalité. Ci-dessous nous présentons des descriptions des bruits susceptibles d'être produits par la machine à glaçons.

- Au moment de l'ouverture de la vanne d'eau pour remplir le réservoir pour chaque cycle on entend un clapotis.
- Les clapotis peuvent aussi être produits par le passage du fluide frigorigène ou par le réseau d'eau.
- Le compresseur à haut rendement peut produire des bruits qui pulsent ou des bruits de haute fréquence.

- L'eau qui quitte le réservoir pour aller sur l'évaporateur peut produire un gargouillement spécifique.
- L'eau qui passe de l'évaporateur au réservoir peut produire un gargouillement spécifique.
- Au moment où se termine chaque cycle, il est possible d'entendre un clapotement provoqué par l'écoulement du fluide frigorigène dans la machine.
- On peut aussi entendre le bruit de l'air soufflé au dessus du condenseur par le ventilateur. Au cours du ramassage des glaçons on entend les bruits des glaçons qui tombent dans le bac.
- Après la première mise en marche de la machine à glaçons on entend le bruit continu de l'écoulement de l'eau. La machine, avant de commencer la production de glaçons passe par le cycle de rinçage.

---

## Préparation de machine à glaçons à une période d'inactivité

Si la machine n'est pas utilisée pendant un laps de temps plus long ou si elle doit être transportée dans un autre endroit, il est nécessaire d'évacuer entièrement l'eau du circuit.

1. Arrêter la machine et débrancher la fiche de la prise.
2. Fermer l'alimentation en eau sur la source d'eau principale.
3. Débrancher le tuyau d'alimentation en eau de la vanne d'alimentation en eau.
4. Sortir le tuyau d'évacuation de l'eau du réservoir d'eau (indiqué sur le schéma par la lettre H) pour évacuer l'intégralité de l'eau du réservoir. Après l'évacuation de l'eau, installer le tuyau à sa place initiale.
5. Évacuer entièrement l'eau de l'orifice d'évacuation de l'eau à l'arrière de la machine (n° 7 sur le schéma).

6. Débrancher le tuyau d'évacuation de l'eau du tuyau de canalisation ou du tuyau d'écoulement dans le sol et mettre le bouchon sur l'orifice d'évacuation de l'eau.
7. Laisser la portière ouverte pour permettre une circulation d'air et prévenir la formation de moisissures.
8. Le tuyau d'alimentation en eau et le câble d'alimentation électrique doivent rester débranchés jusqu'au moment de la nouvelle utilisation de la machine à glaçons.
9. Laisser sécher l'intérieur de la machine et essuyer le bâti extérieur.
10. Couvrir la machine à glaçons d'un sac en plastique pour prévenir la pénétration de la poussière et de saletés.

---

## NETTOYAGE ET ENTRETIEN

**AVERTISSEMENT:** Ne pas utiliser d'alcool ni d'aérosols pour laver /désinfecter la machine à glaçons. Ceci est susceptible de provoquer de fissures des éléments en matière plastique. Une fois par an au moins faire venir un professionnel agréé pour qu'il contrôle et nettoie le condenseur ce qui assure un fonctionnement correct de la machine. Nettoyer la machine avec un jet d'eau.

**ATTENTION:** Si la machine à glaçons n'a pas été utilisée pendant un laps de temps plus long, il est nécessaire de la laver avant sa réutilisation. Il faut respecter strictement les instructions concernant le nettoyage et l'application de désinfectants. La machine à glaçons doit être strictement nettoyée de tout détergent utilisé pour son lavage.

---

### Nettoyage du bâti extérieur

Laver la portière et l'armoire avec de l'eau chaude et du détergent doux. Ne pas utiliser de produits contenant de solvants ou de substances abrasives ou corrosives. Laver avec un chiffon doux, rincer avec de l'eau et essuyer pour prévenir la formation d'infiltrations.

Le lavage périodique et un entretien correct garantissent un bon rendement de la machine, son fonctionnement sans défaillance, l'hygiène requise et la durée de vie utile. Il faut garder des délais raisonnables entre les cycles d'entretien successifs. Si vous avez des animaux domestiques ou si la machine est utilisée à l'extérieur du bâtiment ou s'il existe encore d'autres raisons valables, il est préconisé d'effectuer les actes d'entretien plus fréquemment.

Ne pas oublier que, le bac à glaçons, est prévu exclusivement pour les glaçons : les objets tels que bouteilles de vin ou de bière ne sont pas non seulement hygiéniques mais les étiquettes peuvent se décoller et boucher le tuyau d'évacuation de l'eau.

**ATTENTION:** Dans les modèles en inox exposés à l'action de gaz ou de l'humidité contenant du chlorure, par ex. à proximité de centres de remise en forme ou de piscines des éléments en acier peuvent être légèrement décolorés. Ces décolorations provoquées par le chlorure sont un phénomène naturel.

## Nettoyage de l'intérieur de la machine

### Bac à glaçons

Le bas à glaçons doit être de temps en temps désinfecté. Il doit être lavé avant la première utilisation de la machine à glaçons et avant sa réutilisation après un arrêt long. Le bac vide est le mieux désinfecté une fois sorti de la machine.

1. Débrancher la machine de l'alimentation secteur.
2. Ouvrir la portière et, avec un chiffon humide, nettoyer l'intérieur avec une solution désinfectante préparée avec 28 g de l'eau de javel ou de chlorure et de 7,5 l d'eau chaude.

3. Rincer abondamment avec de l'eau pure. L'eau utilisée sera évacuée par le tuyau d'évacuation de l'eau.

4. Rebrancher la machine sur l'alimentation secteur.

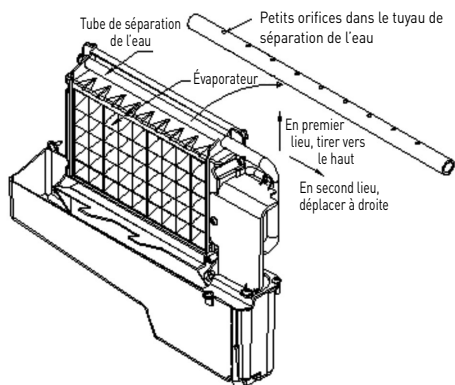
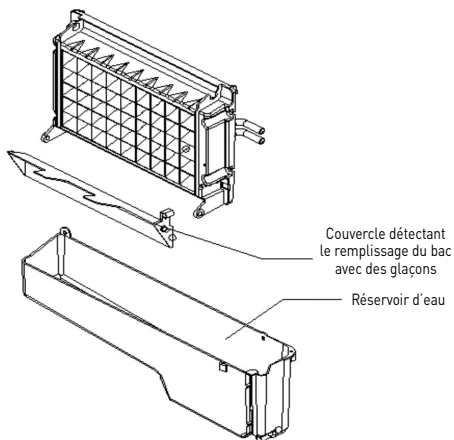
La pelle à glaçons doit être régulièrement lavée tout comme les autres récipients pour produits alimentaires.

**AVERTISSEMENT:** Ne pas utiliser de substances contenant des solvants, produits abrasifs ou corrosifs – ils peuvent modifier le goût des glaçons.

### Ice Making Parts Cleaning

During the using, periodically to clean these main system of your ice-maker.

1. Repeat above step to clean the water tank and other inner parts of the unit.
2. Clean the water dividing pipe on the evaporator extra, uninstall this part and clean each little hole displayed in the following illustration, make sure each hole is not clogged, then install back to the original location.
3. When there are ice cubes on the surface of the evaporator, but they can't fall, don't remove it by force; just press the "O" button for more than 5 seconds, the unit will enter the ice melting process. After some while the big ice-cubes will fall down. Turn off the unit and unplug the power cord to clean the surface of the evaporator.



4. Réservoir d'eau et couvercle détectant le remplissage du bac avec des glaçons.

Le réservoir d'eau et le couvercle détectant le remplissage du bac avec des glaçons ont aussi une importance majeure pour l'hygiène des glaçons. Verser dans un pulvérisateur propre un mélange d'eau et de détergent neutre et, ensuite, pulvériser sur toute la surface interne du réservoir d'eau et du couvercle détectant le remplissage du bac. Essuyer soigneusement avec un chiffon sec et propre. Ensuite, évacuer l'eau utilisée pour le lavage du réservoir en sortant le tuyau d'évacuation (désigné par la lettre H sur le schéma). Après l'évacuation de l'intégralité de l'eau, remettre le tuyau d'évacuation de l'eau du réservoir à sa place.

**Ne pas oublier de jeter la première partie des glaçons produits après le lavage des éléments intérieurs.**

## Détartrage

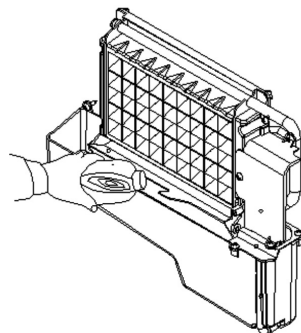
Les minéraux précipités à partir de l'eau au cours du cycle de congélation forment une couche de tartre dure dans les circuits de l'eau. Le détartrage régulier aide à éliminer le tartre. La fréquence de détartrage dépend de la dureté de l'eau utilisée. Dans le cas d'eau dure (ayant une dureté de 4 à 5 grammes par litre), le détartrage doit être effectué tous les 6 mois.

1. Débrancher la machine à glaçons. Ne pas la débrancher du réseau d'eau ni du réseau de canalisations. Fermer le robinet de la source d'eau principale.
2. Ouvrir la portière et, avec la pelle, enlever tous les glaçons et les mettre dans un frigo ou congélateur, ou jeter.
3. Préparation de la solution pour détartrage. Mélanger détartrant pour les machines à glaçons Nu-Calgon Nickle Safe Ice Machine Cleaner avec de l'eau pour obtenir une solution pour détartrage.

**AVERTISSEMENT:** Lors de l'utilisation du détartrant pour machines à glaçons mettre les gants et les lunettes de protection

Dans un bac en plastique ou en inox d'une capacité de plus de 4 litres, mélanger 300 ml de détartrant Nu-Calgon Nickle Safe Ice-machine Cleaner avec 2,8 l d'eau chaude à la température d'environ 50-60°C. Répartir ensuite la solution en deux parties égales et mettre dans deux bacs séparés. Maintenir dans les deux bacs la température de la solution pour détartrage. S'assurer que le tuyau d'évacuation de l'eau du réservoir a été correctement fixé sur l'orifice de la paroi du réservoir. Verser ensuite le contenu d'un bac de la solution de Nickel-Safe Ice Maker Cleaning Solution dans le réservoir d'eau. Laisser 5 minutes.

4. Brancher l'alimentation de la machine à glaçons et, ensuite, appuyer pendant plus de 5 secondes sur la touche "Timer/Clean" sur le panneau de commande pour déclencher le nettoyage automatique. Au cours de ce processus le voyant "Clean" s'allume et sur l'affichage figure le temps qui reste jusqu'à la fin du nettoyage.



5. Mettez la machine à glaçons sous tension, puis appuyez sur le bouton "Clean" du panneau de commande pendant plus de 5 secondes afin d'accéder au programme d'auto-nettoyage. Pendant ce processus, le voyant « Clean » (Nettoyage) est toujours allumé pendant cette période et l'affichage numérique indique le temps restant.
6. Après la fin d'un cycle entier de nettoyage automatique, sortir le tuyau d'évacuation de l'eau du réservoir, laisser passer la solution de détartrage dans le bas à glaçons en secouant légèrement la machine pour évacuer les restes d'eau. Remettre ensuite le tuyau d'évacuation dans l'orifice du réservoir d'eau.
7. Répéter les étapes de 4 à 6 pour détartrer de nouveau le dispositif - générateur de glaçons.

**AVERTISSEMENT:** Le détartrant pour machines à glaçons contient des acides. IL EST INTERDIT de l'utiliser ou de le mélanger avec d'autres détergents ou détartrants contenant des solvants. Protéger les mains avec des gants en caoutchouc. Lire attentivement les instructions relatives à la sécurité qui figurent sur l'emballage du détartrant pour machines à glaçons.

8. Ouvrir le robinet de la source d'eau principale et laisser entrer l'eau dans la machine. Appuyer de nouveau pendant plus de 5 secondes sur la touche "TIMER/CLEAN" pour déclencher le programme de nettoyage automatique. Cette opération permettra de rincer le tube de séparation de l'eau, l'évaporateur, la pompe à l'eau, le tuyau en silicone et le réservoir d'eau etc...

9. Après la fin d'un cycle entier de nettoyage automatique, sortir le tuyau d'évacuation de l'eau du réservoir, laisser passer la solution de détartrage dans le bac à glaçons en secouant légèrement la machine pour évacuer les restes d'eau. Remettre ensuite le tuyau d'évacuation dans l'orifice du réservoir d'eau en veillant à assurer l'étanchéité de la jonction.
10. Répéter à deux reprises les actes décrits dans les points 8 et 9.
11. Conformément au programme spécifié ci-dessus, détartrer le bac à glaçons.
12. Jeter la première partie de glaçons produits après le détartrage de la machine.

## Indications concernant le lavage

### 1. LAVAGE DE TOUS LES JOURS

La pelle à glaçons, la portière et le tube de séparation de l'eau doivent être lavés tous les jours. A la fin de la journée rincer la pelle à glaçons et essuyer les deux côtés de la portière avec un chiffon propre.

### 2. LAVAGE TOUTES LES DEUX SEMAINES

La pelle à glaçons, le bac à glaçons, le réservoir d'eau, le couvercle détectant le remplissage du bac et la surface de l'évaporateur doivent être lavés toutes les deux semaines, conformément au programme de nettoyage de l'intérieur de la machine.

### 3. LAVAGE TOUS LES SIX MOIS

Tous les éléments et surfaces qui sont en contact avec l'eau ou avec les glaçons tels que le bac à glaçons, le réservoir d'eau, la portière, l'évaporateur, la pompe d'eau, le tuyau en silicone, le tube de séparation de l'eau etc. doivent être nettoyés/détartrés tous les 6 mois avec le détartrant **Nu-Calgon Nickle Safe Ice-machine Cleaner**.

## Solutions des problèmes

Problème	Cause possible	Solution
Le voyant "Add water" [AJOUTER DE L'EAU] est allumé.	Pas d'alimentation en eau	Vérifier la pression de la source d'eau principale ou vérifier si le tuyau d'alimentation en eau n'est pas bouché et, au besoin, augmenter la pression de l'eau ou nettoyer le tuyau.
	Le flotteur de l'interrupteur détectant le niveau de l'eau est bloqué et ne peut se soulever	Laver le réservoir d'eau et l'interrupteur identifiant le niveau de l'eau.
	L'eau sort du réservoir d'eau	Installer la machine à glaçons sur une surface plane.
	L'eau sort du tuyau d'évacuation de l'eau du réservoir.	Sortir le tuyau et l'installer correctement dans l'orifice du réservoir d'eau.
Le voyant "Add water" [AJOUTER DE L'EAU] clignote	Endommagement du tuyau d'alimentation en eau ou une alimentation très lente en eau.	Vérifier la pression de la source d'eau principale ou vérifier si le tuyau d'alimentation en eau n'est pas bouché et, au besoin, augmenter la pression de l'eau ou nettoyer le tuyau
La pompe d'eau fonctionne mais l'eau ne sort pas du tube de séparation	Les petits orifices dans le tube de séparation de l'eau sont bouchés.	Déboucher les orifices.
La transparence des glaçons n'est pas satisfaisante	Mauvaise qualité de l'eau	Changer la source d'eau ou utiliser un filtre pour adoucir l'eau.
La forme des glaçons est irrégulière	Mauvaise qualité de l'eau ou un encrassement trop important du réservoir d'eau	Détartrer le réservoir d'eau et verser de l'eau fraîche.
	Certains orifices dans le tube de séparation de l'eau ont été bouchés.	Détartrer/laver le tube de séparation de l'eau de manière à ce que tous les neuf orifices soient débouchés.

Le glaçon est trop mince	La température ambiante est trop élevée	Déplacer la machine à l'endroit où la température est plus basse ou prolonger la durée de chaque cycle de production de glaçons.
	La circulation de l'air autour de la machine est trop faible	Assurer une distance de 20 centimètres au minimum entre les parois avant et arrière de la machine et l'obstacle.
Le glaçon est trop épais	La température ambiante est trop basse.	Diminuer la durée de chaque cycle de production de glaçons.
Le voyant "Full" est allumé	Le bac à glaçons est plein de glaçons.	Sotir une partie de glaçons
Le cycle de production de glaçons est normal mais aucun glaçon n'est produit	La température ambiante ou de l'eau dans le réservoir est trop élevée.	Przenieść urządzenie do miejsca o temperaturze niższej niż 32°C i przelączyć urządzenie do źródła wody o niskiej temperaturze
	Fuite du fluide frigorigène	Réparation nécessairement à faire effectuer par un professionnel agréé
	Tuyau du circuit frigorigène bloqué	Réparation nécessairement à faire effectuer par un professionnel agréé

## Indicateurs d'erreurs

E1: Défaillance du capteur de température ambiante

E2: Si la durée du cycle de production de glaçons dépasse 35 minutes, la machine s'arrête automatiquement. Cet arrêt vise à protéger la machine en cas d'absence de fluide frigorigène ou de défaillance du compresseur.

## Garantie

Tout vice ou toute défaillance entraînant un dysfonctionnement de l'appareil qui se déclare dans les 12 mois suivant la date de l'achat sera éliminé à titre gratuit ou l'appareil sera remplacé par un appareil nouveau si le premier a été dûment exploité et entretenu conformément aux termes de la notice d'exploitation et s'il n'a pas été indûment exploité ou de manière non conforme à sa destination. La présente stipulation ne porte pas de préjudice aux autres droits de l'utilisateur prévus par les dispositions légales. Dans le cas où l'appareil est donné à la réparation ou doit être remplacé

dans le cadre de la garantie, il y a lieu de spécifier le lieu et la date de l'achat de l'appareil et produire un justificatif nécessaire (par ex. facture ou ticket de caisse).

Conformément à notre politique d'amélioration permanente de nos produits, nous nous réservons le droit d'introduire sans avertissement préalable des modifications à l'appareil, à l'emballage et aux caractéristiques techniques précisées dans la documentation.

## Élimination et protection de l'environnement


En cas de retrait du produit de l'exploitation l'appareil ne peut pas être jeté avec d'autres déchets ménagers. L'utilisateur est responsable de la remise de l'équipement au point de collecte approprié pour l'équipement usagé. Le non-respect des dispositions ci-dessus peut entraîner les pénalités conformément à la réglementation applicable en matière d'élimination des déchets. La collecte sélective et le recyclage des équipements usagés contribuent à la conservation des ressources natu-

relles et assurent un recyclage sans danger pour la santé et l'environnement.

Pour plus d'informations sur les endroits de collecte des équipements usagés pour le recyclage, contactez la société de collecte des déchets locale. Le producteur et l'importateur ne sont pas responsables du recyclage et du traitement des déchets d'une manière respectueuse de l'environnement directement et dans le système public.

Grazie per aver acquistato questo apparecchio Arktic. Leggere attentamente questo manuale, prestando particolare attenzione alle norme di sicurezza descritte di seguito, prima di installare e utilizzare questo apparecchio per la prima volta.

## Norme di sicurezza

- Questo apparecchio è destinato al buffet e all'uso domestico.
- Utilizzare l'apparecchio solo per lo scopo previsto per il quale è stato progettato come descritto nel presente manuale.
- Il produttore non è responsabile per eventuali danni causati da un funzionamento scorretto e da un uso improprio.
- Tenere l'apparecchio e la spina elettrica lontano da acqua e altri liquidi. Nel caso in cui l'apparecchio cada in acqua, rimuovere immediatamente la spina di alimentazione dalla presa. Non utilizzare l'apparecchio fino a quando non è stato controllato da un tecnico certificato. Il mancato rispetto di queste istruzioni causerà rischi pericolosi per la vita.
- Non tentare mai di aprire l'alloggiamento dell'apparecchio da soli.
- Non inserire oggetti nell'alloggiamento dell'apparecchio.
- Non toccare la spina con le mani bagnate o umide.
-  **PERICOLO DI SCOSSE ELETTRICHE!** Non tentare di riparare l'apparecchio da solo, le riparazioni devono essere eseguite solo da personale qualificato.
- **Non utilizzare mai un apparecchio danneggiato!** Quando è danneggiato, scollegare l'apparecchio dalla presa e contattare il rivenditore.
- **AVVERTIMENTO!** Non immergere le parti elettriche dell'apparecchio in acqua o altri liquidi.
- Non tenere mai l'apparecchio sotto l'acqua corrente.
- Controllare regolarmente la spina e il cavo di alimentazione per eventuali danni. Se danneggiato, deve essere sostituito da un agente di servizio o da una persona altrettanto qualificata al fine di evitare pericoli o lesioni.
- Assicurarsi che il cavo non entri in contatto con oggetti appuntiti o caldi e tenerlo lontano dal fuoco aperto. Non tirare mai il cavo di alimentazione per scollegarlo dalla presa, staccare sempre la spina.
- Assicurarsi che il cavo di alimentazione e/o la prolunga non causino rischi di inciampare.
- Non lasciare mai l'apparecchio incustodito durante l'uso.
- **AVVERTIMENTO!** Finché la spina si trova nella presa, l'apparecchio è collegato alla fonte di alimentazione.
- Spegnerne l'apparecchio prima di scollegarlo dalla presa.
- Collegare la spina di alimentazione a una presa elettrica facilmente accessibile in modo che in caso di emergenza l'apparecchio possa essere scollegato immediatamente.
- Non portare mai l'apparecchio con il cavo.
- Non utilizzare dispositivi aggiuntivi non forniti insieme all'apparecchio.
- Collegare l'apparecchio a una presa elettrica solo con la tensione e la frequenza indicati sull'etichetta dell'apparecchio.



- Non utilizzare mai accessori diversi da quelli consigliati dal produttore. In caso contrario, potrebbe comportare un rischio per la sicurezza dell'utente e danneggiare l'apparecchio. Utilizzare solo parti e accessori originali.
- Questo apparecchio non deve essere utilizzato da persone con capacità fisiche, sensoriali o mentali ridotte o da persone che hanno una mancanza di esperienza e conoscenze.
- Questo apparecchio non deve, in nessun caso, essere utilizzato dai bambini.
- Tenere l'apparecchio e il suo cavo di alimentazione fuori dalla portata dei bambini.
- **ATTENZIONE:** spegnere SEMPRE l'apparecchio e scollegarlo dalla presa di corrente prima della pulizia, della manutenzione o della conservazione.

## Norme speciali di sicurezza

- Questo apparecchio è destinato ad essere utilizzato in applicazioni domestiche e simili come
  - 1) Cucine per il personale in negozi, uffici e altri ambienti di lavoro;
  - 2) In agriturismi, da clienti di alberghi, motel e altri ambienti di tipo residenziale;
  - 3) Ambienti di tipo bed and breakfast;
  - 4) Catering e applicazioni simili non al dettaglio.
- Questo apparecchio deve essere gestito da personale specializzato in cucina in ristoranti e mense o dal personale di bar, ecc.
-  **ATTENZIONE! Superficie calda!** La superficie è calda quando in uso. Toccare solo il pannello di controllo.
-  **ATTENZIONE! Pericolo di incendio!** Il refrigerante utilizzato in questo dispositivo è R290. Si tratta di un refrigerante altamente infiammabile. Nel dispositivo è utilizzato un agente schiumogeno (per schiumare la schiuma isolante) Ciclopentano. Sono facilmente infiammabili.
- Non posizionare l'apparecchio su una fonte di calore (piani cottura a benzina, elettrici, a carbone, ecc. Tenere l'apparecchio lontano da superfici calde e fiamme libere. Azionare sempre l'apparecchio su una superficie piana, stabile, pulita, resistente al calore e asciutta.
- Questo apparecchio non è destinato a essere azionato per mezzo di un timer esterno o sistema di telecomando separati.
- **AVVERTENZA:** Mantenere tutte le aperture di ventilazione dell'involucro dell'apparecchio libere da ostruzioni.
- **AVVERTENZA:** Non usare dispositivi meccanici o altri mezzi diversi da quelli raccomandati dal costruttore per accelerare il processo di sbrinamento.
- **AVVERTENZA:** Non danneggiare il circuito del refrigerante.
- **AVVERTENZA:** Riempire solo con acqua potabile.
- Non conservare sostanze esplosive come contenitori aerosol con un propellente infiammabile in questo apparecchio.
- Lasciare almeno 20 cm di distanza intorno all'apparecchio a scopo di ventilazione durante l'uso.

- Non utilizzare utensili duri per colpire la superficie esterna. Non utilizzare getti d'acqua, sciacquare immediatamente con acqua o con un pulitore a vapore in quanto le parti potrebbero bagnarsi e causare scosse elettriche.
- Non esporre alla luce solare diretta. Evitare urti meccanici e vibrazioni.
- Spostare sempre o trasportare l'apparecchio in posizione verticale o si potrebbe danneggiare.
- **ATTENZIONE!** Dirigere in modo sicuro il cavo di alimentazione, se necessario, al fine di evitare movimenti di trazione indesiderati o il contatto con una fonte di calore.
- Non pulire o riporre l'apparecchio a meno che non sia completamente raffreddato.
- Non tutte le parti sono lavabili in lavastoviglie.

### ATTENZIONE:

I conduttori nel cavo di alimentazione sono contrassegnati con i seguenti colori:

Verde-giallo:	Messa a terra
Azzurro:	Zero
Marrone:	Fase

Siccome i colori dei conduttori nel cavo di alimentazione possono essere in contrasto con i contrassegni colorati sui morsetti della tua spina, è necessario procedere come segue: il conduttore contrassegnato con il colore verde e giallo deve essere collegato al morsetto della spina contrassegnato con lettere E, G, o con un simbolo, oppure con il colore verde o verde e giallo.

Il conduttore contrassegnato con il colore azzurro deve essere collegato al morsetto contrassegnato con la lettera N.

Il conduttore contrassegnato con il colore marrone deve essere collegato al morsetto contrassegnato con la lettera L.

**ATTENZIONE:** I cubetti di ghiaccio prodotti sono uniti tra di loro e prima dell'uso devono essere spaccati.

### Uso previsto

- Questo apparecchio è destinato al buffet e all'uso domestico.
- L'elettrodomestico è destinato solo alla produzione di cubetti di ghiaccio. L'uso del dispositivo per qualsiasi altro scopo può causare danni o lesioni.
- L'uso del dispositivo per qualsiasi altro scopo sarà considerato un uso improprio. L'utente sarà l'unico responsabile per l'uso scorretto del dispositivo.

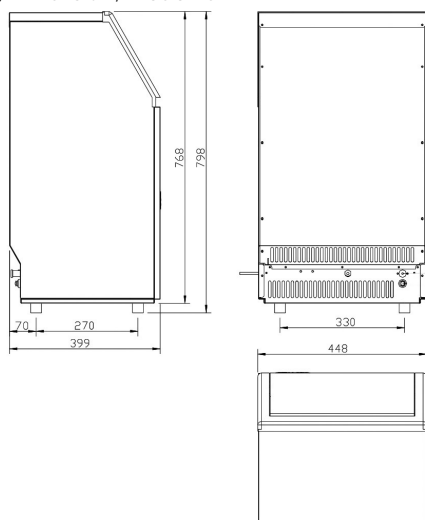
### Installazione di messa a terra

Questo apparecchio è classificato come **classe di protezione I** e deve essere collegato a un terreno di protezione. La messa a terra riduce il rischio di scosse elettriche fornendo un filo di fuga per la corrente elettrica. Questo apparecchio è dotato di

un cavo di alimentazione che ha un cavo di messa a terra e una spina messa a terra. La spina deve essere collegata a una presa correttamente installata e messa a terra.

## Specifiche tecniche

### 1) Dimensioni/Allacciamenti



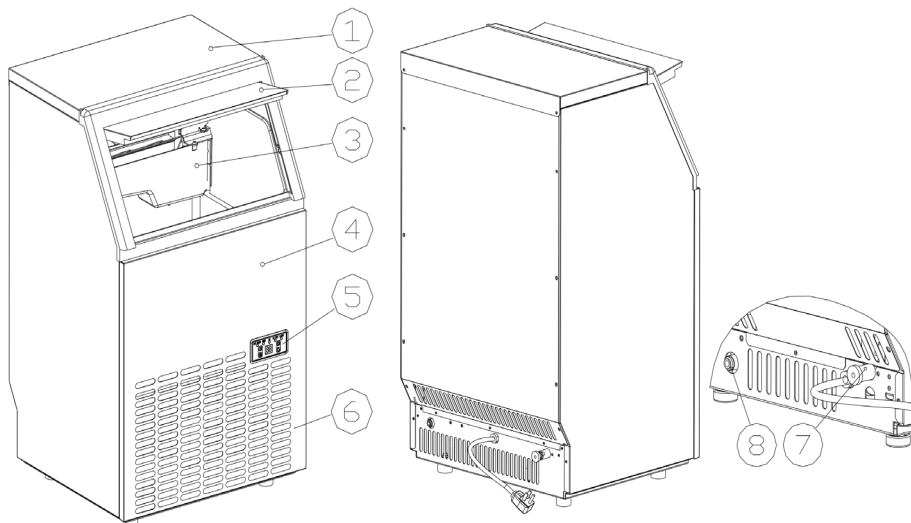
### 2) Valori nominali

<b>N°. articolo</b>	<b>271575</b>
Tensione e frequenza di funzionamento	220-240V~ /50Hz
Corrente nominale	2,2A
Potenza nominale in ingresso	280W
Refrigerante utilizzato e quantità di iniezione	R290 / 95g
Classe climatica	SN-T
Agente schiumogeno infiammabile	Ciclopentano
Classe di protezione	classe I
Running conditions	Temp. dell'ambiente 10°C ~ 38°C Temp. dell'acqua 5°C ~ 35°C Pressione dell'acqua 0,04 ~ 0,6 MPa
Peso netto (circa)	27kg
Dimensioni	448x400x(H)798mm

**Osservazione:** Le specifiche tecniche sono soggette a modifiche senza preavviso.

## Informazioni generali

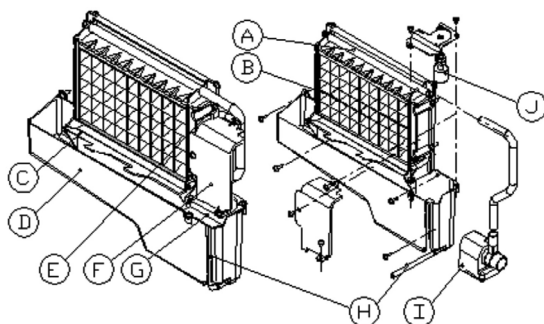
### 1) Struttura del dispositivo principale



1. Coperchio superiore
2. Portello
3. Gruppo del generatore di ghiaccio e del serbatoio di acqua
4. Pannello frontale
5. Pannello di controllo
6. Uscita dell'aria: È necessario assicurare libero flusso dell'aria; durante il funzionamento sarà soffiata l'aria calda.

7. Presa di deflusso dell'acqua.
8. Presa di afflusso dell'acqua.

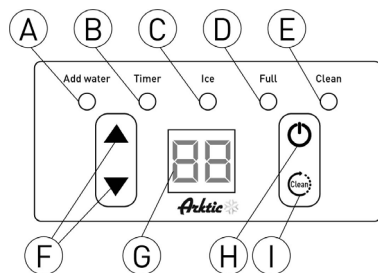
Accessori: Tubo bianco di deflusso dell'acqua della lunghezza di 2 metri, il giunto per rubinetto, tubo bianco della lunghezza di 3 metri per l'alimentazione di acqua corrente ( $\varnothing$  6,35 mm).  
water supply pipe ( $\varnothing$  6.35mm).



- A. Il tubo di deviazione dell'acqua: con nove piccoli fori dai quali fuoriuscirà l'acqua.
- B. Evaporatore (modulo del generatore di ghiaccio)
- C. Piastra di rilevamento del livello di riempimento del contenitore di ghiaccio.
- D. Serbatoio dell'acqua.
- E. Tubo di afflusso dell'acqua.

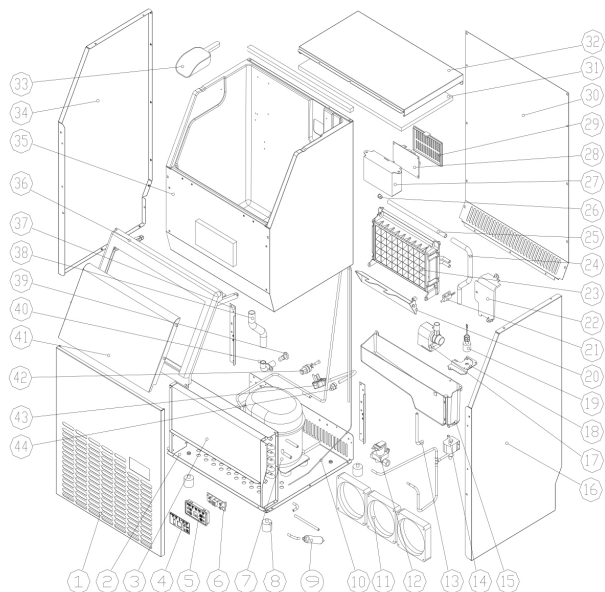
- F. Coperchio sul lato destro del evaporatore.
- G. Piastra di installazione dell'interruttore di livello dell'acqua.
- H. Tubo di deflusso dell'acqua dal serbatoio dell'acqua.
- I. Pompa dell'acqua.
- J. Interruttore di rilevamento del livello di acqua.

## 2) Pannello di controllo



- A. Spia luminosa "Add water" [AGGIUNGI ACQUA]: Il lampeggiamento di questa spia significa che l'afflusso dell'acqua è troppo lento; luce costante della spia indica la mancanza dell'acqua nel dispositivo.
- B. Spia luminosa "Timer" [TEMPORIZZATORE]: L'illuminazione di questa spia conferma l'impostazione del TEMPORIZZATORE. Il timer può essere attivato o disattivato dopo aver premuto il pulsante clean/ timer (pulizia/temporizzatore).
- C. Spia luminosa "Ice" [GHIACCIO]: L'illuminazione di questa spia significa che il dispositivo produce il ghiaccio; il suo lampeggiamento indica che il dispositivo è in fase di raccolta del ghiaccio.
- D. Spia luminosa "Full" [PIENO]: Questa spia si illumina quando il dispositivo è pieno di ghiaccio.
- E. Spia luminosa "Clean" [PULIZIA]: L'illuminazione di questa spia significa l'inizio della pulizia della pompa dell'acqua. Il lampeggiamento della spia indica che il processo di pulizia della pompa dell'acqua viene interrotto.
- F. Pulsanti ▲, ▼: Questi pulsanti servono per impostare la durata del processo di fabbricazione del ghiaccio. Il valore predefinito è pari a zero e ogni volta che si preme il pulsante ▲ o ▼ il tempo aumenta o diminuisce di 1 minuto. Inoltre, quando si imposta il tempo di ritardo del temporizzatore, l'impostazione predefinita è pari a zero e ogni volta che si preme il pulsante ▲ o ▼ il tempo aumenta o diminuisce di 1 ora.
- G. Display: Il display in condizioni normali visualizza sempre il numero che indica la temperatura dell'ambiente; Se il display lampeggia, il valore visualizzato indica il tempo restante, espresso in minuti per completare un dato processo, come ad es. il ciclo di produzione del ghiaccio, il programma di autopulizia, ecc.
- H. Pulsante "⏻": Quando il dispositivo è spento, è necessario agire su questo pulsante per riattivarlo. Durante il programma di autopulizia o in modalità di regolare fabbricazione del ghiaccio, premuta di questo pulsante causa l'arresto immediato del dispositivo. Nel caso in cui il timer è stato impostato, la premuta di questo pulsante provoca annullamento dell'impostazione del timer. Durante la produzione dei cubetti di ghiaccio, la premuta di questo pulsante per più di 5 secondi, forzerà l'avvio del processo di raccolta del ghiaccio.
- I. Pulsante "🔄" [PROGRAMMAZIONE DI PULIZIA]: Per accedere al programma di impostazione del timer premere questo pulsante una sola volta. E premere questo pulsante per più di 5 secondi quando la macchina è spenta, per accedere al programma di pulizia.

## Esploso



N.o.	Denominazione dell'elemento	Quantità	Note	N.o.	Denominazione dell'elemento	Quantità	Note
1	Pannello anteriore	1		24	Tubo di afflusso dell'acqua	1	
2	Pannello inferiore	1		25	Tubo di deviazione dell'acqua con nove fori	1	
3	Condensatore	1		26	Tappo del tubo di deviazione dell'acqua	1	
4	Etichetta del pannello di controllo	1		27	Scatola del circuito stampato del circuito elettrico	1	
5	Scatola del circuito stampato del pannello di controllo	1		28	Circuito stampato del modulo principale di controllo	1	
6	Circuito stampato del pannello di controllo	1		29	Coperchio del circuito stampato del modulo principale di controllo	1	
7	Compressore	1		30	Pannello posteriore	1	
8	Piedino regolabile	4		31	Spugna isolante del coperchio superiore	1	
9	Filtro a secco	1		32	Coperchio superiore	1	
10	Tubo capillare	1		33	Paletta per ghiaccio	1	
11	Ventilatore a corrente continua	3		34	Pannello laterale sinistro	1	
12	Valvola di afflusso dell'acqua	1		35	Carcassa interna coperta di schiuma isolante e contenitore per ghiaccio	1	
13	Tubo di deflusso dell'acqua dal serbatoio di acqua	1		36	Telaio del portello	1	
14	Elettrovalvola per il processo di raccolta dei cubetti di ghiaccio	1		37	Pannello posteriore rinforzato	1	
15	Serbatoio di acqua	1		38	Tubo di deflusso dell'acqua dalla carcassa interna	1	
16	Pannello laterale destro	1		39	Tappo di deflusso dell'acqua	1	
17	Pompa di circolazione dell'acqua	1		40	Presa di deflusso dell'acqua	1	
18	Coperchio del serbatoio dell'acqua	1		41	Portello	2	
19	Interruttore di rilevamento del livello di acqua	1		42	Presa di afflusso dell'acqua	1	
20	Piastra di rilevamento del riempimento del dispositivo con ghiaccio	1		43	Cavo di alimentazione	1	
21	Interruttore magnetico di controllo	4		44	Morsetto del cavo di alimentazione	1	
22	Coperchio del lato destro dell'evaporatore	1		45	Cablaggio	1	
23	Evaporatore e relativo telaio	1					

## Disimballaggio del produttore di ghiaccio a cubetti

1. Rimuovere la confezione esterna e interna. Controllare se il dispositivo è corredato di tutti gli accessori, tra cui i manuali, la paletta per il ghiaccio, il tubo di afflusso dell'acqua corrente, i giunti rapidi - 4 fili per 2 fili ed il tubo di deflusso dell'acqua, ecc. Nel caso di mancanza di qualsiasi elemento, si prega di contattare il ns. Reparto Servizio Clienti.
2. Păstrați ambalajul dacă intenționați să depozitați aparatul înăuntrul său pe viitor.
3. Rimuovere i nastri di fissaggio del portello e della carcassa interna, la paletta per il ghiaccio, ecc. Pulire grossolamente la carcassa interna e la paletta per il ghiaccio con un panno umido.
4. Collocare il produttore di ghiaccio a cubetti sulla superficie piana e piatta in un posto non esposto

## Requisiti concernenti il luogo di installazione

- a) Mantenere la temperatura dell'ambiente e la temperatura dell'acqua di alimentazione al dispositivo nei limiti indicati nella sopraindicata tabella delle specifiche. L'inadempimento di questa condizione può peggiorare il funzionamento del produttore di ghiaccio a cubetti.
- b) Il dispositivo non deve essere posizionato vicino alle fonti di calore.
- c) Il dispositivo deve essere posizionato su una su-

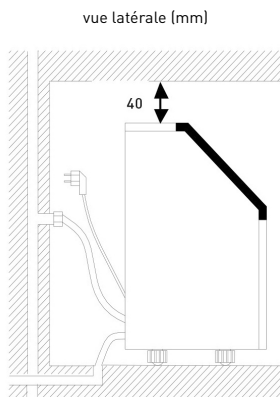
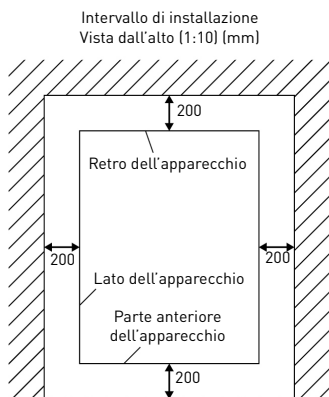
alla luce diretta del sole e lontano da altre fonti di calore (ad es. dal forno, fornello, riscaldatore, ecc.); Lasciare almeno 20 cm di spazio tra l'uscita dell'aria ed ostacoli e di almeno 5 cm tra la parete laterale sinistra/destra del dispositivo e la parete del locale.

5. Prima di collegare il produttore di ghiaccio a cubetti alla rete elettrica, è necessario lasciarlo per 4 ore per consentire lo scarico del liquido di raffreddamento, perché la macchina poteva essere capovolta durante il trasporto.
6. Il dispositivo deve essere collocato nel posto che garantisce il libero accesso alla spina al operatore del dispositivo.

**AVVERTENZA:** Per la fabbricazione del ghiaccio dove essere utilizzata solo l'acqua potabile.

perficie stabile e piatta sull'altezza normale del piano di lavoro.

- d) Ci deve essere uno spazio libero di almeno 200 mm intorno all'apparecchio e uno spazio libero di 40 mm dalla parte superiore per mantenere una buona ventilazione dell'aria.
- e) Non appoggiare alcun oggetto sulla superficie superiore del produttore di ghiaccio a cubetti.



Durante l'installazione del produttore di ghiaccio a cubetti sotto il piano di lavoro, si dovrebbe ricordare di lasciare gli intervalli corretti (elencati sopra). Posizionare i cavi di alimentazione elettrica ed i tubi di afflusso e di deflusso dell'acqua nelle ubicazioni raccomandate, presentate sulla figura sopraindicata.

Dopo l'installazione, si dovrebbe scegliere un luogo ben ventilato, dove la temperatura è superiore a 10°C e inferiore a 32°C.

---

### Requisiti e collegamenti elettrici

**AVVERTENZA:** IL DISPOSITIVO DEVE AVERE LA MESSA A TERRA.

- Prima di posizionare il produttore di ghiaccio a cubetti nel luogo di destinazione, è necessario assicurarsi che ci sia il collegamento elettrico appropriato.
- Si raccomanda di preparare il circuito elettrico separato che serve solo per collegare il produttore di ghiaccio a cubetti. Bisogna utilizzare solo

Il dispositivo DEVE essere installato in un luogo protetto contro tali fattori come il vento, la pioggia, spruzzi o sgoccioli dell'acqua.

Il produttore di ghiaccio a cubetti richiede l'alimentazione continua di acqua alla pressione di 1-8 bar, come è mostrato in tabella dei valori nominali. Per un corretto funzionamento del dispositivo, la temperatura dell'acqua fornita al produttore di ghiaccio a cubetti dovrebbe essere compresa nell'intervallo da 5°C a 25°C.

le prese che non possono essere scollegate mediante l'interruttore o con l'uso della catenella. Nel caso di necessità di sostituire il cavo di alimentazione o la spina, questo deve essere fatto da un tecnico qualificato.

- Questo dispositivo richiede l'alimentazione di rete, con la tensione di 220-240 V, 50 Hz con la messa a terra adeguata.

---

### Lavaggio del produttore di ghiaccio a cubetti prima del primo uso

1. Aprire il portello.
2. Lavare usando il detergente diluito in acqua tiepida con un panno morbido.
3. Lavare alcune volte le parti interne essenti in contatto con l'acqua. Rimuovere il tubo di deflusso del serbatoio dell'acqua, contrassegnato con la lettera "H" sulla figura sopraindicata, al fine di scaricare l'acqua utilizzata per il lavaggio del serbatoio dell'acqua e di seguito lavare la vaschetta per ghiaccio. Poi è necessario far uscire tutta l'acqua utilizzata per il lavaggio dal foro passante di deflusso dell'acqua ubicata nella

parte posteriore del dispositivo (contrassegnata con il numero "7" sulla figura sopraindicata). Reinstallare il tubo di deflusso dell'acqua, altrimenti il dispositivo non funzionerà correttamente. Buttare via il primo cubetto di ghiaccio prodotto dopo la pulizia.

4. La superficie esterna del produttore di ghiaccio a cubetti dovrebbe essere regolarmente lavata con la soluzione di un detergente delicato e acqua tiepida.
5. Asciugare le superfici interne ed esterne con un panno morbido.



## Collegamento dell'acqua al produttore di ghiaccio a cubetti

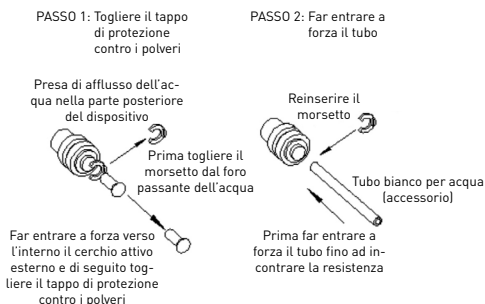
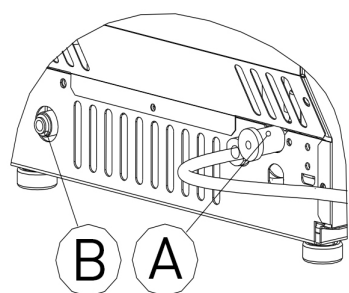
**Attenzione:** utilizzare i nuovi conduttori essenti in dotazione al dispositivo.

Collegare il tubo di alimentazione dell'acqua al dispositivo

Passo 1: In primo luogo, rimuovere il morsetto dal foro passante dell'acqua (contrassegnato sulla figura sottostante con la lettera "B")

collocato sul retro del dispositivo. Togliere il tappo di protezione contro i polveri.

Passo 2: Far entrare a forza un'estremità del tubo per il foro passante dell'acqua, spingere alla fine e reinserire il morsetto.



## Collegamento tubo di scarico acqua

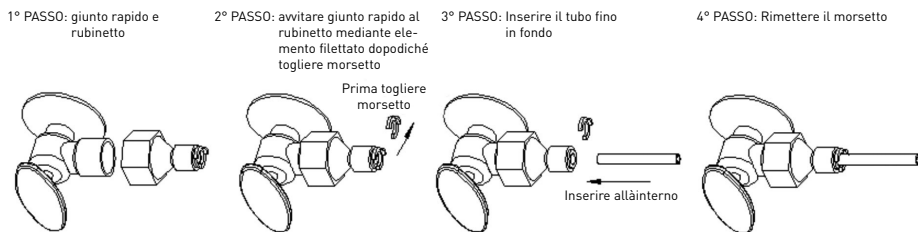
Togliere il dado dello scarico dell'acqua di colore nero (sul disegno sotto riportato contrassegnato con lettera "A"), e successivamente collegarne il

tubo bianco di scarico, in dotazione, mentre la seconda estremità va collegata al collettore principale di scarico.

## Collegare il tubo di alimentazione dell'acqua al rubinetto dell'acqua principale

L'attacco rapido acqua incluso deve essere avvitato al rubinetto; rimuovere prima la fascetta dall'attacco rapido, spingere l'altra estremità del tubo nell'attacco rapido fino in fondo e rimettere la fascetta.

**Nota:** la pressione dell'acqua nella rete di approvvigionamento idrico deve essere di almeno 0,04-05 MPa.



## Fabbricazione di ghiaccio

1. Dopo aver collegato tutti i tubi, collegare il dispositivo alla rete di alimentazione elettrica. Di seguito premere il pulsante "O" sul pannello di controllo per attivare il ciclo di fabbricazione di ghiaccio. Contestualmente si accenderà il diodo "Ice" (ghiaccio). Display digitale indicherà la temperatura dell'ambiente. Durante il processo


di fabbricazione del ghiaccio si mettono in funzionamento il compressore, il motore del ventilatore e la pompa dell'acqua.


2. La durata di ogni ciclo di fabbricazione del ghiaccio va da 11 a 30 minuti, in funzione di temperatura d'ambiente e temperatura d'acqua.

3. Al termine del processo di fabbricazione del ghiaccio, il dispositivo passa in modalità di raccolta del ghiaccio. Contestualmente il sistema rileva il livello dell'acqua. In quasi sia troppo basso, la spia "Add water" [aggiungi acqua] comincia a lampeggiare. In tal caso è necessario aprire valvola di afflusso dell'acqua per integrare l'acqua nel serbatoio. La spia "Add water" si spegnerà al termine del processo di riempimento.
4. All'accensione dell'indicatore "Full" (pieno), il dispositivo smette di funzionare. Dopo aver estratto una quantità sufficiente dei cubetti di ghiaccio il dispositivo riprenderà il funzionamento dopo 3 minuti circa.
5. Intervento sul pulsante ▲ oppure ▼, durante il processo di fabbricazione del ghiaccio, permette di modificare la durata del processo di fabbricazione del ghiaccio che determina lo spessore dei cubetti di ghiaccio. L'impostazione predefinita è lo zero, dunque ogni singola pressione sui tasti ▲ oppure ▼ allungherà o accorcerà la durata del processo di 1 minuto. La nuova impostazione viene memorizzata dopo 5 secondi dall'ultimo intervento sul pulsante di regolazione.
6. Acqua di bassa qualità incide sulla scarsa qualità dei cubetti di ghiaccio e riduce la trasparenza degli stessi.

**ATTENZIONE:** I cubetti di ghiaccio fabbricati sono incollati tra di loro e prima di uso devono essere spezzati.

### Programma di autopulizia automatica

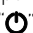
Avvio del programma di autopulizia: dopo aver collegato il tubo alla presa dell'acqua, allacciare il dispositivo alla rete di alimentazione elettrica e premere il pulsante  (temporizzatore pulizia), tenendolo premuto per oltre 5 secondi per avviare il programma di pulizia. La spia "Clean" (pulizia) rimarrà accesa durante il processo di pulizia mentre sul display digitale indicherà il tempo rimanente alla fine del ciclo. La durata del ciclo di pulizia è di 30 minuti.

Annullamento del programma di autopulizia: il pieno ciclo di autopulizia dura 30 minuti. Al termine del ciclo il dispositivo verrà spento automaticamente. Esiste la possibilità di annullamento forzato del programma di autopulizia, intervenendo sul pulsante , posto sul pannello di controllo.

### Impostazione del temporizzatore (timer):

Come impostare il tempo di avviamento della macchina per i cubetti di ghiaccio mediante il temporizzatore: col dispositivo spento premere il pulsante "Timer/Clean" (temporizzatore pulizia) al fine di impostare l'ora desiderata dell'avviamento del dispositivo. Verrà accesa la spia "Timer" (temporizzatore) e sul display digitale lampeggerà il conto alla rovescia del mancante all'accensione della macchina per i cubetti di ghiaccio. Durante il lampeggio del display è possibile aumentare o diminuire il tempo, premendo i pulsanti ▲ e ▼, tenendo conto che l'impostazione predefinita è zero. Cinque secondi dopo l'impostazione il tempo verrà memorizzato.

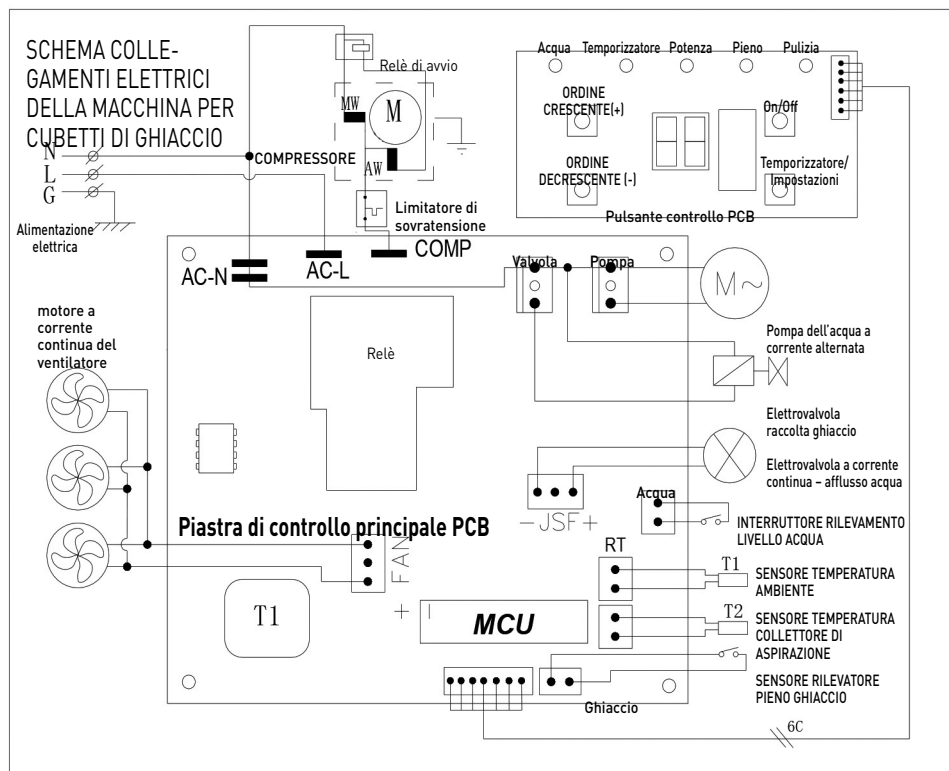
Come annullare tempo impostato di avviamento: Premere il tasto "Timer/Clean" (temporizzatore pulizia) e sul display digitale lampeggeranno cifre

relative all'attuale tempo di ritardo dell'avviamento del dispositivo, memorizzato nel temporizzatore. L'attuale impostazione verrà annullata premendo di nuovo il pulsante. L'annullamento dell'impostazione del temporizzatore è possibile inoltre agendo sul pulsante .

Come impostare il tempo di spegnimento della macchina per i cubetti di ghiaccio mediante il temporizzatore: con dispositivo acceso premere il pulsante "Timer/Clean" al fine di impostare l'ora di spegnimento del dispositivo. Di seguito agire come al punto precedente.

Come annullare tempo impostato di spegnimento: la procedura è identica a quella di annullamento del tempo di accensione impostato.

## Schema collegamenti interni



## Suoni

La Vostra nuova macchina per i cubetti di ghiaccio potrebbe produrre suoni anomali, che però nella maggioranza dei casi sono naturali. Le superfici dure, ad es. pavimenti, pareti oppure armadietti possono far sì che i suoni prodotti dal dispositivo sembrano più forti che in realtà. Segue descrizione dei suoni prodotti dalla macchina per i cubetti di ghiaccio.

- Al momento di apertura della valvola dell'acqua al fine di riempire il serbatoio per ogni singolo ciclo si sentirà il rumore.
- I suoni di clicchettio possono essere causati dal flusso del refrigerante oppure possono essere prodotti dalla rete idrica.
- Il compressore ad alto rendimento può produrre dei suoni pulsanti oppure suoni ad alta frequenza.

- L'acqua defluente dal serbatoio verso l'evaporatore produce uno specifico sciacquio.
- L'acqua affluente dall'evaporatore verso il serbatoio può produrre uno specifico sciacquio.
- Al termine di ogni ciclo sarà udibile un gorgoglio causato dal flusso del refrigerante nella cubettatrice di ghiaccio.
- Si può udire il rumore di aria soffiata dal ventilatore sopra il condensatore. Durante il ciclo di raccolta del ghiaccio si può udire il suono dei cubetti che cascano nel contenitore.
- Dopo il primo avviamento della cubettatrice di ghiaccio si sentirà il rumore del flusso d'acqua continuo in quanto la macchina per cubetti di ghiaccio, prima di iniziare la fabbricazione del ghiaccio effettua il ciclo di sciaquaggio.

---

## Preparazione della cubettatrice per il ghiaccio per la conservazione a lungo termine

In caso di una sosta prolungata oppure di trasferimento della macchina per cubetti di ghiaccio in un altro luogo, è necessario scarico completo dell'acqua dal sistema.

1. Spegnere il dispositivo e staccare la spina dalla presa di corrente.
2. Chiudere l'afflusso dell'acqua dall'allacciamento principale.
3. Staccare il tubo di afflusso dell'acqua dalla valvola di afflusso dell'acqua.
4. Togliere il tubo di deflusso dell'acqua dal serbatoio (contradisegnato sul disegno con lettera "H"), al fine di scaricare completamente il serbatoio. Dopo aver scaricato l'acqua fissare il tubo nella sua posizione originale.
5. Scaricare l'acqua dalla presa di scarico dell'acqua sulla parte posteriore del dispositivo (n. 7 sul disegno).
6. Staccare il tubo di deflusso dell'acqua dal tubo delle acque reflue o dallo scarico nel pavimento e avvitare il dado sulla presa di deflusso dell'acqua.
7. Lasciare aperta la porta al fine di assicurare il flusso d'aria e prevenire la formazione di muffa.
8. Il tubo di afflusso dell'acqua e il cavo di alimentazione devono rimanere staccati fino al prossimo utilizzo del dispositivo per cubetti di ghiaccio.
9. Asciugare l'interno del dispositivo e pulire l'involucro esterno.
10. Coprire la macchina per cubetti di ghiaccio con pellicola al fine di prevenire la penetrazione di polvere e sporcizia.

---

## Pulizia e manutenzione

**AVVERTENZA:** Per il lavaggio/disinfezione della cubettatrice di ghiaccio non è ammesso l'utilizzo di quaklsivoglia alcool o aerosol che potrebbero provocare crepe nella plastica. Almeno una volta all'anno rivolgersi a un tecnico qualificato per effettuare i controlli e la pulizia del condensatore, al fine di assicurare un corretto funzionamento del dispositivo. Pulire il dispositivo con un getto d'acqua.

**ATTENZIONE:** In caso la macchina per i cubetti di ghiaccio è stata inutilizzata per periodo di tempo prolungato, è necessario lavarla accuratamente prima di usarla. È necessario seguire rigorosamente le istruzioni inerenti la pulizia o l'impiego di disinfettanti. La macchina per cubetti di ghiaccio deve essere accuratamente pulita da tutti i residui di detergenti usati per la pulizia.

---

## Pulizia involucro esterno

Lavare lo sportello e l'involucro con un detergente delicato e acqua tiepida. Non utilizzare prodotti contenenti solventi né agenti abrasivi e corrosivi. Lavare servendosi di una spugna morbida, dunque sciacquare con acqua pulita e asciugare per prevenire la formazione di macchie e colature.

Il lavaggio e una corretta manutenzione periodica assicureranno le dovute prestazioni e un funzionamento affidabile nonché un'adeguata igiene e la durata di vita del dispositivo. I cicli di manutenzione devono rispettare intervalli ragionevoli che dovranno essere adeguatamente accorciati nel caso di presenza degli animali domestici, utilizzo della macchina fuori dallo stabile oppure vi sono altre considerazioni speciali.

Vi preghiamo di tener presente che nel contenitore di ghiaccio non è ammesso conservare altro che ghiaccio: gli oggetti come bottiglie di vino o birra non solo sono poco igienici ma rappresentano il rischio di intasamento del tubo di scarico dell'acqua a causa del distacco delle etichette.

**ATTENZIONE:** Modelli con le parti in acciaio inossidabile, esposti all'azione di gas o aria umida contenente il cloro, come ad es. nei centri di benessere o piscine, possono subire la decolorazione. La decolorazione causata dall'azione del cloro è un fenomeno del tutto naturale.

## Pulizia dell'interno del dispositivo

### Contenitore cubetti di ghiaccio

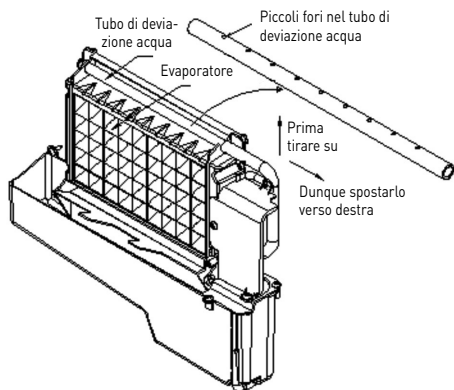
Il contenitore per i cubetti di ghiaccio richiede di tanto in tanto una disinfezione. Lavare il contenitore prima del primo uso nonché prima dell'uso dopo una sosta prolungata. Disinfettare il contenitore vuoto dopo averlo estratto dal dispositivo.

1. Staccare il dispositivo dalla fonte di alimentazione elettrica.
2. Aprire lo sportello e, servendosi di un panno umido, pulire l'interno con una soluzione igienizzante con 28 g di candeggina o cloro e 7,5 l di acqua calda.

### Pulizia elementi che producono il ghiaccio

Nel corso dell'esercizio è necessario pulire periodicamente il gruppo principale della macchina per cubetti di ghiaccio.

1. Per pulire il contenitore dell'acqua e altri elementi interni del dispositivo, ripetere le operazioni sopra descritte.
2. Pulire inoltre il tubicino di deviazione dell'acqua verso evaporatore; smontare questo elemento e pulire tutti i piccoli fori visibili sul disegno sottostante, accertandosi che non siano intasati e rimontarlo nella posizione originale.
3. Se sulla superficie dell'evaporatore vi sono presenti i cubetti di ghiaccio che non si possono togliere, non intraprendere azioni forzate; è sufficiente premere il pulsante "⏻" e tenerlo premuto per oltre 5 secondi - il dispositivo entrerà nella fase di fusione del ghiaccio, provocando un distacco spontaneo dei cubetti di ghiaccio. Spegner il dispositivo e staccare il cavo di alimentazione elettrica dalla presa per pulire la superficie dell'evaporatore.

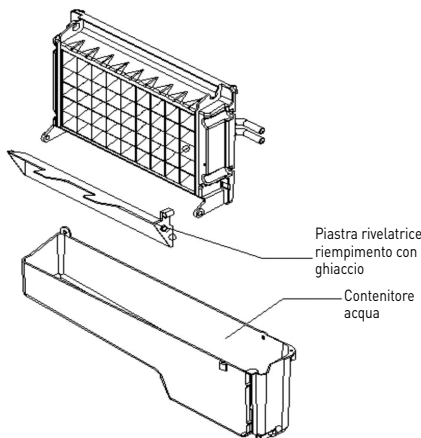


3. Sciacquare abbondantemente con acqua pulita. Acqua reflua sarà scaricata dalla condotta di scarico.

4. Ricollegare il dispositivo alla rete elettrica. La paletta ghiaccio deve essere lavata regolarmente, come tutti gli altri contenitori per prodotti alimentari.

**AVVERTENZA:** Non usare prodotti contenenti solventi, agenti abrasivi o corrosivi perché potrebbero compromettere il gusto del ghiaccio.

4. Contenitore dell'acqua e piastra rivelatrice riempimento con ghiaccio



Il contenitore dell'acqua e la piastra rivelatrice del riempimento con ghiaccio sono essenziali per l'igiene dei cubetti di ghiaccio. Riempire lo spruzzatore, precedentemente pulito, con una miscela di detergente neutro ed acqua e spruzzare l'intera superficie del contenitore dell'acqua e piastra rivelatrice riempimento col ghiaccio. Asciugare accuratamente con un panno asciutto e pulito. Dunque scaricare l'acqua di pulizia dal serbatoio dell'acqua, togliendo il tubo di scarico (contrassegnato sul disegno con lettera „H“). Dopo aver scaricato l'acqua risistemare il tubo di scarico del serbatoio nella sua posizione originale.

**Vi preghiamo di ricordare, dopo aver pulito le parti interne del dispositivo, di buttare via il primo lotto del ghiaccio fabbricato.**

## Rimozione di calcare

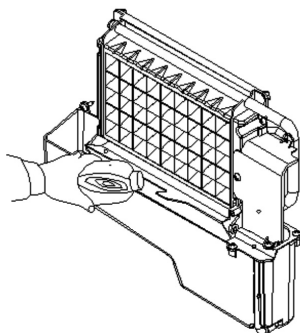
I minerali precipitati dall'acqua durante il ciclo di congelamento formano, col passar del tempo, un duro strato di calcare nel circuito di flusso dell'acqua. Una regolare pulizia del circuito consente di eliminare il calcare accumulatosi. Gli intervalli di pulizia rimangono in funzione della durezza dell'acqua utilizzata. In caso di acqua dura (durezza da 4 a 5 grammi al litro), la pulizia deve essere effettuata ogni 6 mesi.

1. Spegnerne la cubettatrice di ghiaccio. Non staccarla dalla rete idrica né dalla rete di scarico. Chiudere il rubinetto dell'allacciamento principale dell'acqua.
2. Aprire tutti i sportelli e, servendosi della paletta, togliere completamente i cubetti di ghiaccio e chiuderli nel congelatore oppure buttarli via.
3. Preparazione della soluzione detergente: mescolare detergente per le macchine per cubetti da ghiaccio Nu-Calgon Nickle Safe Ice Machine Cleaner con l'acqua.

**AVVERTENZA:** per maneggiare il detergente per la pulizia delle cubettatrici di ghiaccio indossare guanti e occhiali protettivi.

Mescolare in un contenitore di plastica o acciaio inossidabile di capacità superiore a 4 litri, 300 ml di prodotto Nu-Calgon Nickle Safe Ice-machine Cleaner con 2,8 l di acqua calda a temperatura 50-60°C circa. Dunque versare la miscela in due boccali nelle parti uguali. Mantenere la temperatura della soluzione in ciascuno dei boccali.

4. Accertarsi che il tubo di scarico dell'acqua dal serbatoio è stato correttamente fissato nel foro sulla parete del serbatoio. Quindi versare nel serbatoio il contenuto di uno dei boccali contenenti Nickel-Safe Ice Maker Cleaning Solution. Aspettare 5 minuti.



5. Accendere l'alimentazione della cubettatrice di ghiaccio quindi tenere premuto il pulsante "Clean" (temporizzatore pulizia) sul pannello di controllo per oltre 5 secondi, al fine di attivare il programma di autopulizia. Il diodo "Clean" (pulizia) rimarrà acceso durante il ciclo e il display digitale indicherà il tempo rimanente alla conclusione del processo.
6. Una volta terminato completo ciclo di autopulizia togliere il tubo di scarico del serbatoio d'acqua, scaricare la soluzione detergente nel sottostante contenitore di ghiaccio, agitando gentilmente il dispositivo per eliminare l'acqua residua. Quindi rimettere il tubo di scarico nel foro del serbatoio d'acqua.
7. Ripetere i passi 4-6 per pulire nuovamente il gruppo produttore di ghiaccio.

**AVVERTENZA:** Il prodotto per la pulizia della cubettatrice di ghiaccio contiene acidi. NON DEVE essere utilizzato o mescolato con altri prodotti contenenti solventi. Proteggere le mani indossando i guanti di gomma. Leggere attentamente le istruzioni di sicurezza riportate sull'imballaggio del prodotto per la pulizia delle macchine per cubetti di ghiaccio.

8. Aprire il rubinetto dell'allacciamento principale dell'acqua e far affluire acqua al dispositivo. Ripremere e tenere premuto per oltre 5 secondi il pulsante "Clean" (temporizzatore pulizia) per avviare il ciclo di autopulizia. Tale processo consentirà di lavare il tubo di deviazione dell'acqua, l'evaporatore, pompa dell'acqua, tubo in silicone, serbatoio d'acqua, ecc..
9. Una volta completato il ciclo di autopulizia togliere il tubo di scarico del serbatoio d'acqua, scaricare la soluzione detergente nel sottostante contenitore di ghiaccio, agitando gentilmente il dispositivo per eliminare l'acqua residua. Quindi rimettere il tubo di scarico nel foro del serbatoio d'acqua.
10. Ripetere due volte le operazioni descritte ai punti 8-9.
11. Conformemente al programma pulire il contenitore di ghiaccio.
12. Buttare via il primo lotto di ghiaccio prodotto dopo la pulizia del dispositivo.

## Indicazioni inreneti la pulizia

### 1) LAVAGGIO QUOTIDIANO

Pulire quotidianamente la paletta da ghiaccio, sportello e tubo di deviazione dell'acqua. Al termine del giorno sciacquare la paletta da ghiaccio e asciugare lo sportello con un panno pulito da ambedue i lati.

### 2) LAVAGGIO OGNI DUE SETTIMANE

Ogni due settimane, conformemente al piano di pulizia dell'interno del dispositivo, lavare la paletta da ghiaccio, contenitore di ghiaccio, serbatoio d'acqua, piastra rilevatrice di riempimento di ghiaccio e la superficie dell'evaporatore,

### 3) LAVAGGIO OGNI 6 MESI

Ogni 6 mesi lavare, usando il prodotto **Nu-Calgon Nickle Safe Ice-machine Cleaner**, tutti gli elementi e le superfici a contatto con l'acqua o cubetti di ghiaccio, come contenitore di ghiaccio, serbatoio d'acqua, sportello, evaporatore, pompa d'acqua, tubo in silicone, tubo di deviazione dell'acqua, ecc.

## Risoluzione dei problemi

Problema	Possibile causa	Rimedio
Accesa spia "Add water" [AGGIUNGI ACQUA].	Manca afflusso dell'acqua.	Controllare la pressione dell'allacciamento principale dell'acqua oppure accertarsi che il tubo di afflusso dell'acqua non sia intasato; a seconda del caso aumentare la pressione oppure pulire il tubo.
	Interruttore a galleggiante rilevante il livello dell'acqua è stato bloccato e non riesce ad alzarsi.	Lavare serbatoio d'acqua e interruttore di rilevamento livello d'acqua.
	Acqua defluisce dal serbatoio.	Riposizionare la cubettatrice su un piano uniforme.
	Acqua defluisce dal tubo di scarico del serbatoio d'acqua.	Estrarre il tubo e fissarlo correttamente nel foro del serbatoio d'acqua.
Lampeggia spia "Add water" [AGGIUNGI ACQUA].	Danneggiato tubo di afflusso dell'acqua oppure afflusso dell'acqua troppo lento.	Controllare la pressione dell'allacciamento principale dell'acqua oppure accertarsi che il tubo di afflusso dell'acqua non sia intasato; a seconda del caso aumentare la pressione oppure pulire il tubo.
Pompa d'acqua funziona ma l'acqua non esce dal tubo di deviazione dell'acqua	Ostruiti piccoli fori nel tubo di deviazione acqua.	Ristabilire la pervietà.
Insoddisfacente trasparenza dei cubetti di ghiaccio	Scarsa qualità dell'acqua.	Cambiare l'allacciamento dell'acqua oppure applicare filtro per ammorbidire l'acqua.
Irregolare forma dei cubetti di ghiaccio	Scarsa qualità dell'acqua oppure forte impurità del serbatoio.	Lavare il serbatoio d'acqua e riempirlo di acqua fresca.
	Ostruzione di alcuni fori del tubo di deviazione acqua.	Lavare tubo di deviazione, accertandosi di pervietà di tutti i nove fori.
Cubetti di ghiaccio troppo sottili	Temperatura d'ambiente troppo alta.	Trasferire il dispositivo in un ambiente con temperatura più bassa oppure allungare la durata di ogni ciclo di fabbricazione del ghiaccio.
	Insufficiente flusso d'aria intorno al dispositivo.	Assicurare una distanza minima di 20 cm tra le pareti anteriore e posteriore del dispositivo e ostacolo.
Cubetti di ghiaccio troppo spessi	Temperatura d'ambiente troppo bassa.	Ridurre la durata di ogni ciclo di fabbricazione del ghiaccio.
Accesa spia "Full" (PIENO)	Contenitore di ghiaccio pieno di cubetti di ghiaccio.	Togliere una parte dei cubetti di ghiaccio.
Ciclo di fabbricazione di ghiaccio funziona regolarmente ma i cubetti di ghiaccio non vengono prodotti	Troppo alta temperatura d'ambiente o nel serbatoio d'acqua.	Trasferire il dispositivo in un luogo con temperatura inferiore a 32°C e collegare la macchina ad una presa d'acqua a bassa temperatura.
	Perdite di refrigerante.	Chiamare assistenza tecnica.
	Intasamento tubo del sistema di raffreddamento.	Chiamare assistenza tecnica.

---

## Indicatori di errori

E1: Avaria sensore di temperatura dell'ambiente

E2: Se la durata del ciclo di fabbricazione del ghiaccio superi 35 minuti, il dispositivo viene spento automaticamente. Tale soluzione serve a proteggere il dispositivo in caso di mancanza del refrigerante nel sistema di raffreddamento o avaria del compressore.

---

## Garanzia

Qualsiasi difetto che influenza la funzionalità del dispositivo che compaia entro un anno dall'acquisto sarà corretto a titolo interamente gratuito o con la sostituzione del prodotto che è stato utilizzato e sottoposto a manutenzione corretta seguendo le istruzioni, senza alcuna violazione. I diritti legali del cliente non sono assolutamente modificati. Nel caso in cui l'intervento di manutenzione o sostitu-

zione sia previsto nel periodo di validità della garanzia, precisare dove e quando si è acquistato il prodotto, possibilmente allegando lo scontrino.

In linea con la nostra politica di sviluppo continuo dei prodotti, ci riserviamo il diritto di modificare il prodotto, l'imballo e le specifiche di documentazione, senza notifica alcuna.

---

## Smaltimento e protezione dell'ambiente

In caso di ritiro dell'apparecchiatura dal funzionamento il prodotto non può essere smaltito con altri rifiuti domestici. L'utente è responsabile della consegna dell'attrezzatura al punto di raccolta appropriato per l'attrezzatura usata. Il mancato rispetto delle disposizioni sopramenzionate può comportare l'imposizione di sanzioni in conformità con le normative vigenti in materia di smaltimento dei rifiuti. La raccolta e il riciclaggio selettivi di attrezzature usate contribuiscono alla conservazione

delle risorse naturali e garantiscono il riciclaggio in modo tale da non nuocere alla salute e all'ambiente.

Per ulteriori informazioni sui luoghi di smaltimento delle apparecchiature usate per il riciclaggio, contattare la società locale di raccolta dei rifiuti. Il produttore e l'importatore non sono responsabili per il riciclaggio e il trattamento dei rifiuti in modo ecologico, sia d.



Stimate client,

Vă mulțumim pentru achiziționarea acestui aparat Arctic. Citiți cu atenție acest manual, acordând o atenție deosebită reglementărilor de siguranță prezentate mai jos, înainte de a instala și utiliza acest aparat pentru prima dată.

## Regulile de siguranță

- Acest aparat este destinat uzului casnic și pentru bufet.
- Utilizați aparatul numai în scopul pentru care a fost proiectat conform descrierii din acest manual.
- Producătorul nu este răspunzător pentru nici o deteriorare cauzată de funcționarea incorectă și de utilizarea necorespunzătoare.
- Păstrați aparatul și ștecherul departe de apă și de alte lichide. În cazul în care aparatul cade în apă, scoateți imediat ștecherul de alimentare din priză. Nu utilizați aparatul înainte de verificarea acestuia de către un tehnician certificat. Nerespectarea acestor instrucțiuni va cauza riscuri care pun viața în pericol.
- Nu încercați niciodată să deschideți singur carcasa aparatului.
- Nu introduceți obiecte în carcasa aparatului.
- Nu atingeți ștecherul cu mâinile umede sau umede.
- ⚠ **PERICOL DE ȘOC ELECTRIC!** Nu încercați să reparați singur aparatul, reparațiile trebuie efectuate numai de personal calificat.
- **Nu folosiți niciodată un aparat deteriorat!** Când este deteriorat, deconectați aparatul de la priză și contactați distribuitorul.
- **AVERTISMENT!** Nu scufundați părțile electrice ale aparatului în apă sau alte lichide.
- Nu țineți niciodată aparatul sub jet de apă.
- Verificați cu regularitate ștecherul și cablul de alimentare pentru orice deteriorare. În cazul deteriorării, acesta trebuie înlocuit de un agent de service sau de o persoană calificată în mod similar, pentru a evita pericolul sau rănirea.
- Asigurați-vă că cablul nu intră în contact cu obiecte ascuțite sau fierbinți și păstrați-l departe de focul deschis. Nu trageți niciodată cablul de alimentare pentru a-l deconecta de la priză, trageți întotdeauna ștecherul în schimb.
- Asigurați-vă că cablul de alimentare și/sau cablul prelungitor nu provoacă pericol de deplasare.
- Nu lăsați niciodată aparatul nesupravegheat în timpul utilizării.
- **AVERTISMENT!** Atâta timp cât ștecherul este în priză, aparatul este conectat la sursa de alimentare.
- Opriți aparatul înainte de a-l deconecta de la priză.
- Conectați ștecherul la o priză electrică ușor accesibilă, astfel încât, în caz de urgență, aparatul să poată fi deconectat imediat.
- Nu purtați niciodată aparatul de cablu.
- Nu utilizați dispozitive suplimentare care nu sunt furnizate împreună cu aparatul.
- Conectați aparatul numai la o priză electrică cu tensiunea și frecvența menționate pe eticheta aparatului.

RO


- Nu folosiți niciodată alte accesorii decât cele recomandate de producător. Nerespectarea acestui lucru ar putea reprezenta un risc de siguranță pentru utilizator și ar putea deteriora aparatul. Utilizați numai piese originale și accesorii.
- Acest aparat nu trebuie operat de persoane cu capacități fizice, senzoriale sau mentale reduse sau de persoane care au o lipsă de experiență și cunoștințe.
- Acest aparat nu ar trebui, în nici un caz, să fie utilizat de copii.
- Nu lăsați aparatul și cablul de alimentare la îndemâna copiilor.
- **AVERTISMENT:** Opriti întotdeauna aparatul și deconectați de la priză înainte de curățare, întreținere sau depozitare.

## Regulamente speciale de siguranță

- Acest aparat este destinat a fi utilizat în mediu casnic sau similar cum ar fi
  - 1) Bucătărie pentru personal în magazine, birouri și alte medii de lucru;
  - 2) Pensiuni agroturistice și de către clienții hotelurilor, motelurilor și alte tipuri de spații rezidențiale;
  - 3) Locații de tip Bed and breakfast;
  - 4) Catering și medii similare non-retail.
- Acest aparat este recomandat a fi utilizat de către personal instruit în cadrul bucătăriilor din restaurante, cantine sau baruri etc.

-  **ATENȚIE! Suprafață fierbinte!** Suprafața este fierbinte atunci când aparatul este în uz.

Atingeți numai panoul de control.

-  **ATENȚIE! Risc de incendiu!** Agentul frigorific utilizat în acest aparat este R290. Acesta este un agent frigorific foarte inflamabil. Agentul de suflare a spumei folosit în acest aparat este Ciclopentan. Acesta este foarte inflamabil.

- Nu amplasați aparatul pe o sursă de căldură (plită sau cuptor pe motorină sau electric etc.) Țineți aparatul departe de orice suprafață fierbinte sau flacăra deschisă. Utilizați întotdeauna aparatul pe o suprafață stabilă, curată, rezistentă la căldură și uscată.
- Aparatul nu este proiectat a fi folosit cu ajutorul unui timer extern sau un sistem de control la distanță.
- **AVERTIZARE:** Nu acoperiți în niciun fel orificiile de ventilație.
- **AVERTIZARE:** Nu folosiți niciun dispozitiv mecanic sau alt sistem pentru a accelera procesul de dezghețare, altele decât cele recomandate de producător.
- **AVERTIZARE:** Nu deteriorați circuitul de răcire.
- **AVERTIZARE:** Alimentați numai cu apă potabilă.
- Nu depozitați în aparat substanțe cum ar fi cutii cu aerosoli cu propulsie inflamabilă.
- Păstrați un spațiu de minim 20 cm în jurul aparatului pentru ventilație.
- Nu folosiți unelte grele pentru a lovi suprafața exterioară. Nu folosiți jet de apă, nu spălați direct cu apă sau aparate cu abur deoarece prin udarea pieselor electrice vă puteți electrocuta.
- Nu expuneți direct la razele solare. Evitați șocurile mecanice și vibrațiile.

- Transportați întotdeauna aparatul în poziție verticală, altfel riscând să-l deteriorați.
- Atenție! Protejați cablul de alimentare împotriva tragerii accidentale sau intrării în contact cu suprafețele fierbinți.
- Nu curățați sau depozitați aparatul decât atunci când acesta s-a răcit complet.
- Nu toate piesele se pot spăla în mașina de spălat vase.

### IMPORTANT:

Firele din cablul de alimentare sunt colorate în conformitate cu următorul cod:

Verde și galben:	Împământare
Albastru:	Neutru
Maro:	Direct

Întrucât culoarea firelor din cablul de alimentare ar putea să nu corespundă cu marcajele colorate prin care se identifică terminalul de la fișă, procedați după cum urmează:

Firul de culoare verde cu galben trebuie conectat la terminalul din fișă marcat cu litera E, G sau cu un simbol sau de culoare verde sau verde cu galben.

Firul de culoare albastră trebuie conectat la terminalul marcat cu litera N.

Firul de culoare maro trebuie conectat la terminalul marcat cu litera L.

**NOTĂ:** Cuburile de gheață formate sunt lipite între ele și trebuie sparte înainte de utilizare. .

---

#### Utilizare preconizată

- Acest aparat este destinat uzului casnic și pentru bufet.
- Acest aparat este destinat doar producerii cuburilor de gheață. Orice altă utilizare poate provoca avarierea aparatului sau accidentarea persoanelor.
- Utilizarea aparatului în orice alt scop reprezintă o utilizare incorectă. Utilizatorul este singurul răspunzător de orice utilizare incorectă a aparatului.

---

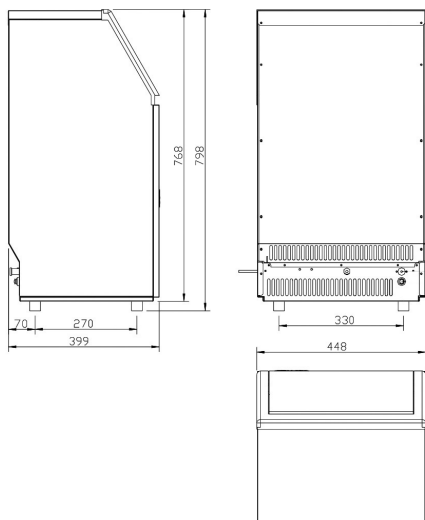
#### Instalare împământare

Acest aparat este clasificat ca **clasa de protecție I** și trebuie conectat la un sol de protecție. Împământarea reduce riscul de șoc electric prin furnizarea unui cablu de evacuare pentru curentul

electric. Acest aparat este echipat cu un cablu de alimentare care are un fir de împământare și ștecher cu împământare. Ștecherul trebuie conectat la o priză instalată și împământată corespunzător.

## Specificație tehnică

### 1) Dimensiuni/Conexiuni



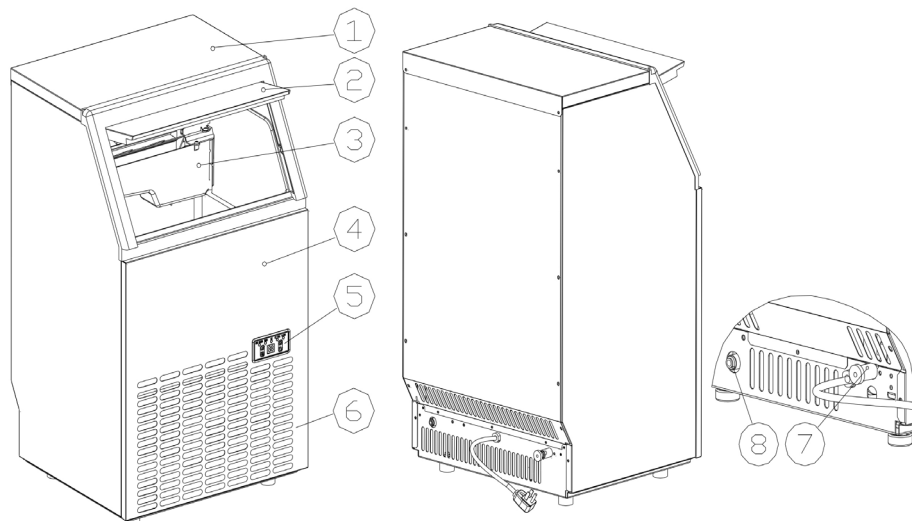
### 2) Capacitate

Articolul nr.	271575
Tensiune și frecvență de funcționare	220-240V~ /50Hz
Curent nominal	2,2A
Putere de intrare nominală	280W
Refrigerant folosit & cantitatea de injectare	R290 / 95g
Clasa de climă	SN-T
Agent de spumare inflamabil	Ciclopentan
Clasa de protecție	clasa I
Condiții de funcționare	Temperatura ambientală 10°C ~ 38°C Temperatura apei de alimentare 5°C ~ 35°C Presiunea apei de alimentare 0,04 ~ 0,6 MPa
Greutate netă (aproximativ)	27kg
Dimensiuni	448x400x(H)798mm

**Observație:** Specificația tehnică se poate modifica fără notificare prealabilă.

## Informații generale

### 1) Construcția unității principale

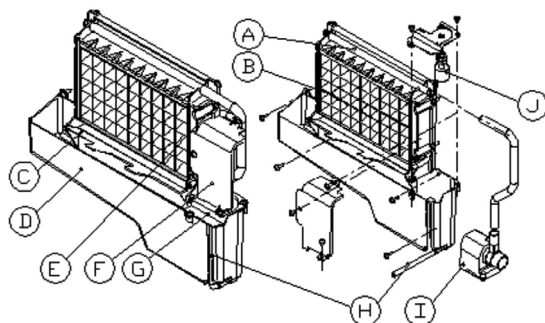


1. Capac superior
2. Ușă
3. Ansamblu de formare a gheții & rezervor de apă
4. Panou frontal
5. Panou de operare
6. Orificiu de evacuare a aerului: Aerul trebuie să circule liber, se va evacua aer cald când unitatea este în funcțiune.

7. De scurgere a apei.
8. De admisie a apei.

Accesorii: Conductă de scurgere a apei cu o lungime de 2 metri, de culoare albă, conector pentru robinetul de apă, conductă de alimentare cu apă cu o lungime de 3 metri, de culoare albă (ø 6,35mm).

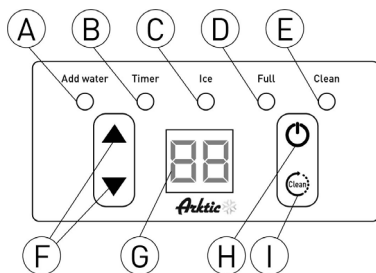
RO



- A. Conductă de distribuție a apei: cu nouă orificii mici, apa va curge prin aceste orificii mici.
- B. Evaporator (modul de formare a gheții)
- C. Placă de detectare la umplerea cu gheață.
- D. Rezervor de apă.
- E. Conductă de alimentare cu apă.
- F. Placă de acoperire pe partea dreaptă a evaporatorului.

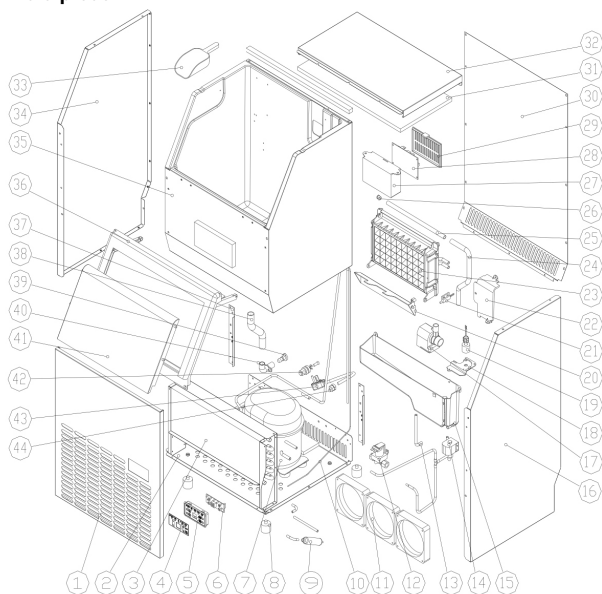
- G. Placă de instalare pentru comutatorul pentru nivelul apei.
- H. Conductă de scurgere a apei din rezervorul de apă.
- I. Pompă de apă.
- J. Comutator pentru detectarea nivelului apei.

## 2) Panou de operare



- A. Lumină „ADĂUGARE APĂ”: Lumina intermitentă indică un flux de apă prea mic; iar lumina aprinsă continuu indică absența apei din unitate.
- B. Lumină „TEMPORIZATOR”: Lumina aprinsă indică faptul că TEMPORIZATORUL este setat. Temporizatorul poate fi pornit sau oprit de la butonul curățare/temporizator.
- C. Lumină „GHEAȚĂ”: Lumina aprinsă indică faptul că unitatea produce gheață; Lumina intermitentă indică faptul că unitatea este în proces de recoltare a gheții.
- D. Lumină „PLIN”: Lumina se va aprinde atunci când unitatea este plină de cuburi de gheață.
- E. Lumină „CURĂȚARE”: Atunci când lumina este aprinsă începe curățarea pompei de apă. când lumina este intermitentă, curățarea pompei de apă se oprește.
- F. Buton ▲, ▼ : Se utilizează pentru a ajusta durata procesului de formare a gheții, setarea implicită este zero, plus sau minus 1 minut prin apăsarea butonului ▲ sau ▼ . Se utilizează de asemenea pentru a ajusta timpul de întârziere al temporizatorului, setarea implicită este zero, plus sau minus 1 oră prin apăsarea butonului ▲ sau ▼ .
- G. Fereastră digitală: În condiții normale, numărul afișat în fereastră este întotdeauna aprins, indicând temperatura ambientală; În cazul în care numărul este intermitent, se va afișa timpul rămas în minute din fiecare proces, cum ar fi ciclul de formare a gheții, programul de auto-curățare etc.
- H. Buton „PORNIT/OPRIT”: Când unitatea este oprită, apăsați acest buton pentru a porni unitatea; În timpul programului de Auto-curățare sau în stadiul normal de formare a gheții apăsați acest buton pentru a opri imediat unitatea; De asemenea, dacă unitatea este setată cu Temporizator, apăsați acest buton pentru a anula setarea Timpului. Atunci când unitatea formează cubul de gheață, țineți apăsat acest buton timp de cel puțin 5 secunde, determinând unitatea să treacă forțat la procesul de recoltare a gheții.
- I. "Clean" Buton „CURĂȚARE TEMPORIZATOR”: Apăsați rapid acest buton o singură dată pentru a intra în programul de setare a Timpului; Și apăsați acest buton pentru mai mult de 5 secunde când mașina este oprită, pentru a intra în programul de curățare.

## Imagine detaliata si lista piese



Nr.	Denumirea piesei	Cant.	Note	Nr.	Denumirea piesei	Cant.	Note
1	Panou frontal	1		24	Conductă de alimentare cu apă	1	
2	Placă inferioară	1		25	Conductă de distribuție a apei, cu nouă orificii	1	
3	Condensator	1		26	Capac pentru conducta de distribuție a apei	1	
4	Document panou de operare	1		27	Cutie electrică PCB	1	
5	Cutie PCB panou de operare	1		28	Comandă principală PCB	1	
6	PCB panou de operare	1		29	Capac pentru comanda principală PCB	1	
7	Compresor	1		30	Placă în partea din spate	1	
8	Picior ajustabil	4		31	Burete de izolare pentru capacul superior	1	
9	Filtru de uscare	1		32	Capac superior	1	
10	Capilar	1		33	Cupă pentru gheață	1	
11	Ventilator DC	3		34	Placă în partea stângă	1	
12	Supapă de admisie a apei	1		35	Dulap interior pentru formarea spumei & Recipient de stocare a gheții	1	
13	Conductă de scurgere a apei din rezervorul de apă	1		36	Cadru de ușă	1	
14	Supapă electromagnetice de recoltare a gheții	1		37	Placă de rezistență în spate	1	
15	Rezervor de apă	1		38	Conductă de evacuare a apei la dulapul interior	1	
16	Placă în partea dreaptă	1		39	Capac pentru evacuarea apei	1	
17	Pompă de circulare a apei	1		40	Port pentru evacuarea apei	1	
18	Capac pentru rezervorul de apă	1		41	Ușă	2	
19	Comutator pentru detectarea nivelului apei	1		42	Port pentru admisia apei	1	
20	Placă de detectare pentru umplerea cu gheață	1		43	Cablu de alimentare	1	
21	Comutator de control magnetic	4		44	Clește pentru cablul de alimentare	1	
22	Placă de acoperire pe partea dreaptă a evaporatorului	1		45	Cabluri	1	
23	Evaporator și cadru aferent	1					

## Despachetarea aparatului de făcut gheață

1. Scoateți ambalajul exterior și interior. Verificați dacă în interior se află toate accesoriile, inclusiv manualul de instrucțiuni, cupa pentru gheață, conducta albă de admisie a apei, conectorul rapid pentru apă cu 4 sau 2 senzori și conducta de evacuare a apei etc. Dacă lipsește vreo piesă, contactați serviciul clienți.
2. Păstrați ambalajul dacă intenționați să depozitați aparatul înăuntrul său pe viitor.
3. Scoateți banda care fixează ușa și dulapul interior, cupa pentru gheață etc. Ștergeți rapid dulapul interior & cupa pentru gheață cu o cârpă umedă.
4. Puneți aparatul de făcut gheață pe o suprafață plană & plată, fără expunere la lumina directă a soarelui sau la alte surse de căldură (de ex.

plite, cuptoare, radiatoare). Asigurați-vă că există un spațiu de cel puțin 20 cm între orificiul de evacuare a aerului și eventualele obstacole și un spațiu de cel puțin 5 cm între partea din Stânga/Dreapta și perete.

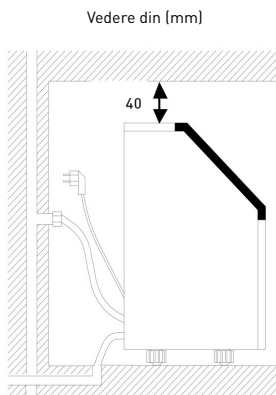
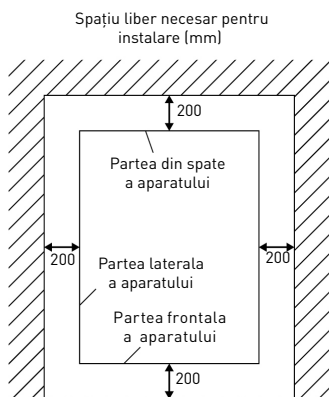
5. Așteptați timp de 4 ore ca fluidul de refrigerare să se stabilizeze înainte de a conecta aparatul de făcut gheață la sursa de alimentare, întrucât unitatea s-ar putea răsturna în timpul transportului.
6. Aparatul trebuie poziționat în așa fel încât priza să fie accesibilă.

**AVERTISMENT:** Utilizați numai apă potabilă pentru a face gheață.

## Cerințe referitoare la locul de instalare

- a) Mențineți temperatura ambientală și temperatura apei de admisie conform tabelului de specificații de mai sus. În caz contrar va fi afectată funcționarea aparatului de făcut gheață.
- b) Această unitate nu trebuie amplasată în apropierea surselor de căldură.
- c) Unitatea trebuie amplasată pe o suprafață stabilă & plană la înălțimea unui blat de lucru normal.

- d) Trebuie să existe o distanță de cel puțin 200 mm în jurul aparatului și o distanță de 40 mm în partea superioară pentru a menține o ventilație corespunzătoare a aparatului.
- e) Nu amplasați obiecte deasupra aparatului de făcut gheață.



La instalarea aparatului de făcut gheață sub un blat, respectați dimensiunile de distanțare recomandate indicate mai sus. Fixați cablurile electrice și conductele de alimentare cu apă, precum și armăturile de scurgere în pozițiile indicate. Alegeți o zonă bine ventilată cu temperaturi peste 10°C și sub 32°C. Unitatea TREBUIE instalată într-o zonă

ferită de intemperii cum ar fi vânt, ploaie, pulverizare cu apă sau scurgeri de apă. Aparatul de făcut gheață necesită o alimentare cu apă continuă la o presiune de 1-8 bari, conform tabelului de specificații de mai sus. Temperatura apei alimentate în aparatul de făcut gheață trebuie să fie între 5°C și 25°C pentru o funcționare corectă.



## Cerințe & Conexiuni Electrice

**AVERTISMENT:** ACEASTĂ UNITATE TREBUIE ÎMPĂMÂNTATĂ.

- Înainte de a muta aparatul de făcut gheață în poziția finală, este important să vă asigurați că există o conexiune electrică adecvată.
- Se recomandă furnizarea unui circuit separat care să deservască numai aparatul de făcut

gheață. Utilizați recipiente care nu pot fi dezactivate printr-un comutator sau un lanț de tragere. Dacă trebuie înlocuit cablul de alimentare sau fișa, această operațiune trebuie efectuată de un inginer de service calificat.

- Acest aparat necesită o fișă electrică standard de 220-240Volt, 50Hz cu împământare adecvată.

## Curățarea aparatului de făcut gheață înainte de prima utilizare

1. Deschideți ușa.
2. Curățați aparatul cu un detergent diluat, apă caldă și o cârpă moale.
3. Curățați în mod repetat piesele interioare care intră în contact cu apa, puteți trage conducta de scurgere a apei din rezervorul de apă cu indicația „H” în ilustrația de mai sus pentru a scurge apa curată în rezervorul de apă, apoi curățați du-lapul interior de stocare a gheții. Apoi scurgeți toată apa de curățare din portul de scurgere a apei amplasat în partea din spate a unității („7”

în ilustrația de mai sus). Reinstalați conducta de scurgere a apei și capacul portului de scurgere a apei, în caz contrar unitatea nu va funcționa în mod corespunzător. Aruncați primul cub de gheață format după curățare.

4. Exteriorul aparatului de făcut gheață trebuie curățat în mod regulat cu un detergent slab și apă caldă.
5. Uscați interiorul și exteriorul cu o cârpă moale uscată.

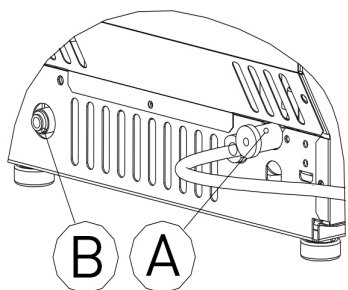
## Conexiune la alimentarea cu apă pentru aparatul de făcut gheață

**Important:** Trebuie să utilizați seturile de furtunuri noi furnizate împreună cu aparatul.

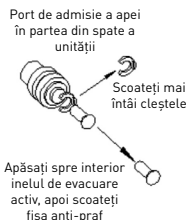
Conectați furtunul pentru alimentare cu apă la unitate

Etapa 1: Scoateți mai întâi cleștele de la portul de admisie a apei (cu indicația „B” în ilustrația de mai jos) amplasat în partea din spate a unității. Scoateți fișa anti-praf

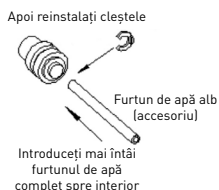
Etapa 2: Introduceți un capăt al furtunului de apă alb în portul de admisie a apei și împingeți complet spre interior, apoi reinstalați cleștele, după conectarea furtunului de apă este finalizată.



ETAPA 1: Scoateți fișa anti-praf



ETAPA 2: Introduceți furtunul de apă



## Conectarea conductei de scurgere a apei

Scoateți capacul pentru scurgerea apei de culoare neagră (cu indicația „A” în ilustrația de mai sus), apoi conectați conducta de scurgere albă furnizată

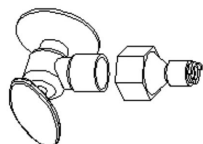
ca accesoriu și conectați celălalt capăt al acestei conducte de scurgere la conducta principală de scurgere a apei.

## Conectați furtunul de apă la robinetul de apă al sistemului principal de alimentare cu apă

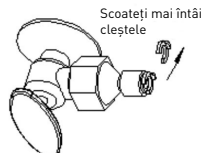
Conectorul rapid pentru apă furnizat trebuie înșurubat pe robinet; scoateți cleștele de pe conectorul rapid pentru apă, introduceți celălalt capăt al furtunului de apă complet în acest port de conector rapid, reinstalați cleștele.

**Important:** Presiunea apei la sistemul principal de alimentare cu apă trebuie să fie de cel puțin 0,04-05 Mpa.

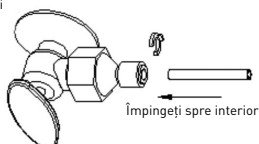
ETAPA 1: Conector rapid și robinet de apă



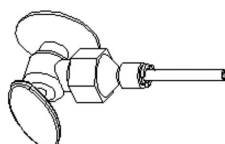
ETAPA 2: Înșurubați conectorul rapid pe robinetul de apă acționând filetul și scoateți cleștele



ETAPA 3: Introduceți complet furtunul de apă



ETAPA 4: Reinstalați cleștele



## Derularea procesului de formare a gheții

1. După conectarea tuturor conductelor de apă, conectați aparatul la sursa principală de alimentare. Apăsăți apoi butonul „PORNIT/OPRIT” de pe panoul de comandă pentru a iniția ciclul de formare a gheții, moment în care se va aprinde lumina „GHEAȚĂ”. În fereastra digitală se va afișa în mod normal temperatura ambientală. Compresorul, motorul ventilatorului și pompa de apă vor funcționa în timpul procesului de formare a gheții.
2. Fiecare ciclu de formare a gheții va dura între aproximativ 11 și 30 de minute, în funcție de temperatura ambientală și de temperatura apei.
3. La finalizarea procesului de formare a gheții, aparatul va trece la procesul de recoltare a gheții. În același timp sistemul va detecta nivelul apei, în cazul în care nivelul apei este prea scăzut lumina „ADĂUGARE APĂ” este intermitentă, deschideți supapa de admisie a apei pentru a adăuga apă în rezervorul de apă, la finalizarea procesului de alimentare cu apă, lumina „ADĂUGARE APĂ” se stinge.

4. Atunci când indicatorul „Plin” este aprins, unitatea se oprește. Dacă scoateți suficiente cuburi, unitatea va reîncepe să funcționeze după 3 minute.
5. În timpul procesului de formare a gheții, apăsați butonul ▲ sau ▼ pentru a ajusta durata procesului de formare a gheții, modificând astfel grosimea cubului de gheață. Setarea implicită este zero, iar procesul se va prelungi sau se va reduce cu 1 minut prin apăsarea butonului ▲ sau ▼. La 5 secunde după ultima apăsare sunt programate noile setări.
6. O apă de calitate proastă va duce la cuburi de gheață de calitate proastă și la reducerea transparenței cubului de gheață.

**NOTĂ:** Cuburile de gheață formate sunt lipite între ele și trebuie sparte.

## Program de auto-curățare automată

Inițiați programul de auto-curățare: După conectarea tuturor conductelor de apă, conectați aparatul la sursa principală de alimentare, țineți apăsat butonul „CURĂȚARE TEMPORIZATOR” timp de cel puțin 5 secunde, pornind astfel programul de curățare. Lumina „CURĂȚARE” va fi aprinsă în timpul curățării, iar în fereastra digitală se va indica timpul rămas. Programul de auto-curățare durează 30 de minute.

Anulați programul de auto-curățare: Derularea unui program de auto-curățare durează aproximativ 30 de minute. La finalizarea programului, sistemul se va opri automat. Puteți apăsa de asemenea butonul „PORNIT/OPRIT” de pe panoul de comandă pentru a anula forțat programul de auto-curățare.

## Setarea temporizatorului:

Cum să setați temporizatorul: Când aparatul este oprit, apăsați butonul „TEMPORIZATOR/CURĂȚARE” pentru a seta momentul în care aparatul trebuie să se oprească. Lumina „TEMPORIZATOR” se va aprinde, iar numărul afișat în fereastra digitală va fi intermitent indicând numărul de ore de funcționare a aparatului. În timp ce numărul este intermitent, apăsați butonul ▲, ▼ pentru a crește sau a reduce numărul de ore, setarea implicită fiind zero. La cinci secunde după setare, setarea dorită va fi programată.

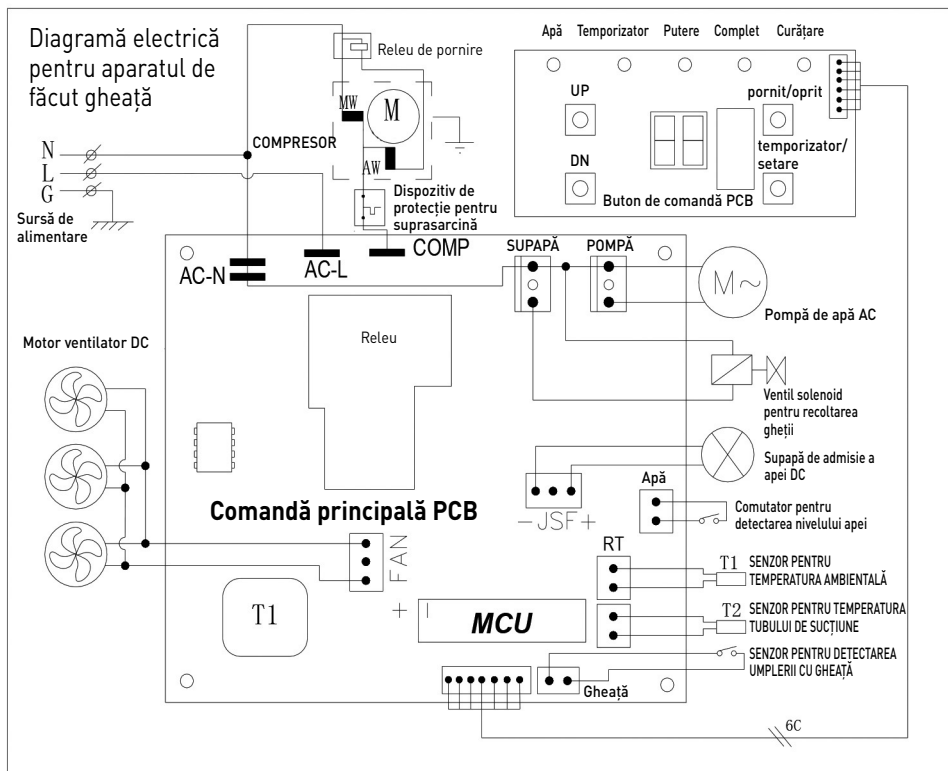
Cum să anulați temporizatorul PORNIT: Apăsați butonul „TEMPORIZATOR/TEMPORIZATOR”, nu-

mărul afișat în fereastra digitală va fi intermitent pentru a indica timpul de întârziere curent al Temporizatorului PORNIT, apoi apăsați din nou butonul pentru a anula setarea. Prin apăsarea butonului „PORNIT/OPRIT” se va anula și temporizatorul.

Cum să setați temporizatorul OPRIT: Când aparatul este pornit, apăsați butonul „TEMPORIZATOR/CURĂȚARE” pentru a seta momentul în care aparatul trebuie să se oprească. Etapele următoare sunt aceleași ca și cele menționate mai sus.

Cum să anulați temporizatorul OPRIT: Procedura este aceeași ca și pentru anularea Temporizatorului PORNIT.

## Diagramă cabluri



## Sunete normale

Noul aparat de făcut gheață ar putea produce sunete cu care nu sunteți familiarizați. Cele mai multe dintre noile sunete sunt normale. Suprafețele dure cum ar fi podelele, pereții și dulapurile pot face ca sunetele să pară mai intense decât în realitate. Sunt descrise în cele ce urmează tipurile de sunete noi și posibilele cauze ale acestora.

- Puteți auzi un șuierat la deschiderea supapei pentru apă pentru umplerea rezervorului de apă pentru fiecare ciclu.
- Se poate auzi un hureit la curgerea agentului de răcire sau la conducta de apă.
- Compresorul de înaltă eficiență poate produce un sunet de pulsație sau un sunet ascuțit.
- Apa care curge din rezervorul de apă pe placa evaporatorului poate produce un sunet specific pentru împoșcare.

- Apa care curge din evaporator în rezervorul de apă poate produce un sunet specific pentru împoșcare.
- La finalizarea fiecărui ciclu, puteți auzi un sunet de bolboroseală la curgerea agentului de refrigerare în aparatul de făcut gheață.
- Se poate auzi cum aerul pătrunde forțat în condensator prin acțiunea ventilatorului condensatorului. În timpul ciclului de recoltare, puteți auzi sunetul produs de cuburile de gheață care cad în recipientul de stocare a gheții.
- La prima pornire a aparatului de făcut gheață, puteți auzi apa curgând continuu. Aparatul de făcut gheață este programat să efectueze un ciclu de clătire înainte de a începe să producă gheață.

## Pregătirea aparatului de făcut gheață pentru depozitare pe termen lung

În cazul în care aparatul de făcut gheață nu va fi utilizat pe o perioadă lungă de timp sau în cazul în care este deplasat în alt loc, trebuie să se scurgă toată apa din sistem.

1. Opriți unitatea și scoateți-o din priză.
2. Întrerupeți alimentarea cu apă de la sursa principală de alimentare cu apă.
3. Deconectați furtunul pentru alimentare cu apă de la supapa de admisie a apei.
4. Trageți conducta de scurgere a apei din rezervorul de apă (cu indicația H în ilustrație) pentru a scurge apa din rezervorul de apă. După scurgerea completă a apei, reinstalați canalul de scurgere pentru apă.

5. Scurgeți complet apa din portul de scurgere a apei amplasat în partea din spate a unității (7 în ilustrație).
6. Deconectați conducta de scurgere a apei de la conducta principală de scurgere sau de la scurgerea din podea, reinstalați capacul scurgerii.
7. Lăsați ușa deschisă pentru a permite circulația aerului și a preveni formarea de mușci.
8. Lăsați furtunul de alimentare cu apă și cablul de alimentare deconectate până la reutilizare.
9. Uscați interiorul & ștergeți exteriorul unității.
10. Puneți o pungă din plastic pentru unitate pentru a o proteja de praf & murdărie.

---

## CURĂȚARE ȘI ÎNTREȚINERE

**AVERTISMENT:** Nu utilizați alcool sau abur pentru curățarea/dezinfectarea aparatului de făcut gheață. Se pot fisura astfel piesele din plastic. Solicitați unei persoane de servicii cu instruire adecvată să verifice și să curețe condensatorul cel puțin o dată pe an, pentru ca unitatea să funcționeze în mod corespunzător. Acest aparat trebuie curățat cu jet de apă.

**ATENȚIE:** Dacă aparatul de făcut gheață nu a fost utilizat pe o perioadă lungă de timp, acesta trebuie curățat bine înainte de următoarea utilizare. Respectați cu atenție instrucțiunile cu privire la curățare sau utilizarea soluției de dezinfectare. Nu lăsați soluție în interiorul aparatului de făcut gheață după curățarea acestuia.

---

### Curățarea exteriorului

Ușa și dulapul pot fi curățate cu un detergent slab și apă caldă. Nu utilizați produse de curățare pe bază de diluanți sau abrazive. Utilizați un burete moale și clătiți cu apă curată. Ștergeți până la uscare cu un prosop moale curat pentru a preveni petele de apă.

---

### Curățarea interiorului

#### Pentru recipientul de stocare a gheții

Recipientul de stocare a gheții trebuie dezinfectat din când în când. Curățați recipientul înainte de prima utilizare a aparatului de făcut gheață și înainte de reutilizarea acestuia după o perioadă lungă de timp. Se recomandă de obicei sterilizarea recipientului după sterilizarea exteriorului, iar recipientul de stocare trebuie să fie gol.

1. Deconectați unitatea de la sursa de alimentare.
2. Deschideți ușa și ștergeți interiorul cu o cârpă curată utilizând o soluție de dezinfectare compusă din 28g înălbitor de uz casnic sau clor și 7,5 litri de apă fierbinte.

Curățarea periodică și întreținerea adecvată vor asigura eficiența, funcționarea optimă, igiena și durata lungă de funcționare a aparatului. Intervalele de întreținere specificate sunt bazate pe condiții normale de funcționare. Poate fi necesar să reduceți intervalele în cazul în care aveți animale de companie sau dacă unitatea este amplasată în exterior, precum și în cazul în care există alte condiții specifice.

Ce nu trebuie să faceți

Nu păstrați altceva decât gheață în recipientul de stocare a gheții: obiecte cum ar fi sticlele de vin sau de bere nu numai că sunt neigienice, dar etichetele acestora s-ar putea detașa și ar putea obstrucționa conducta de scurgere.

**ATENȚIE:** Modelele din oțel inoxidabil expuse la gaze de clor sau umezeală, cum ar fi în vecinătatea băilor termale sau a piscinelor, pot prezenta decolorări ale oțelului inoxidabil. Decolorarea ca urmare a expunerii la gaze de clor este normală.

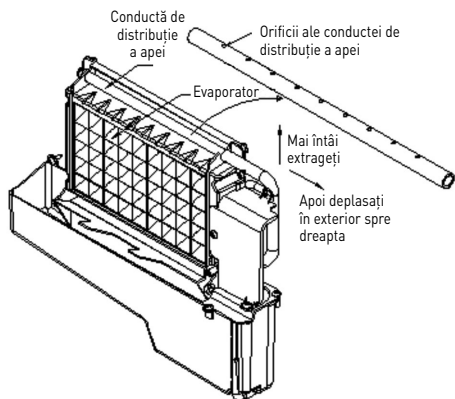
3. Clătiți bine cu apă curată. Apa uzată se va scurge prin conducta de scurgere.
4. Reconectați unitatea de la sursa de alimentare. Cupa pentru gheață trebuie spălată în mod regulat. Spălați-o în același mod ca și orice recipient pentru alimente.

**ATENȚIE:** Nu utilizați produse de curățare pe bază de diluanți sau abrazive. Se poate produce astfel un transfer de gust la cuburile de gheață.

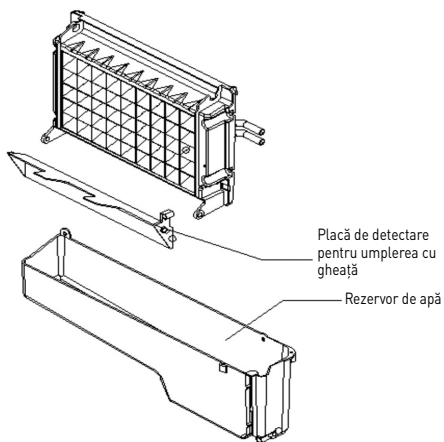
## Curățarea pieselor pentru formarea gheții

În timpul utilizării, curățați în mod periodic sistemul principal al aparatului de făcut gheață.

1. Repetați pasul de mai sus pentru a curăța rezervorul de apă și alte piese interioare ale unității.
2. Curățați conducta de distribuție a apei de pe evaporator, demontați această piesă și curățați fiecare orificiu indicat în ilustrația de mai jos, asigurați-vă că niciun orificiu nu este înfundat, apoi reinstalați în poziția originală.
3. Atunci când se află cuburi de gheață pe suprafața evaporatorului, dar acestea nu pot cădea, nu în scoateți forțat; țineți apăsat butonul „PORNIT/OPRIT” timp de cel puțin 5 secunde, iar unitatea va trece la procesul de topire a gheții. După o vreme cuburile mari de gheață vor cădea. Opriți unitatea și scoateți-o din priză pentru a curăța suprafața evaporatorului.



4. Pentru rezervorul de apă și placa de detectare pentru umplerea cu gheață



Atât rezervorul de apă cât și placa de detectare pentru umplerea cu gheață sunt foarte importante pentru asigurarea igienei cuburilor de gheață. Utilizați un amestec de agent de curățare neutru & apă într-un jet de apă curată, apoi pulverizați pe toată suprafața interioară a rezervorului & a plăcii de detectare pentru gheață. Ștergeți aceste suprafețe pe cât posibil cu o cârpă curată. Apoi pulverizați suprafețele cu apă curată, ștergându-le cu o cârpă curată uscată. Scurgeți apoi apa de spălare din rezervorul de apă prin extragerea Conduței de scurgere a apei din rezervorul de apă [cu indicația H în ilustrație]. După scurgerea completă a apei de spălare, reinstalați conducta de scurgere a apei de la rezervorul de apă.

**Sugestie: După curățarea pieselor interioare, aruncați primul lot de gheață.**

## Detartrarea aparatului

Mineralele extrase din apă în timpul ciclului de congelare vor duce în cele din urmă la formarea de depuneri mari de tartru în sistemul de circulație a apei. Curățarea regulată a sistemului contribuie la îndepărtarea crustei de minerale. Frecvența de curățare a sistemului depinde de durezza apei. Pentru o apă dură cu 4 până la 5 granule/litru, ar putea fi necesară curățarea sistemului la intervale de 6 luni.

1. Opriți aparatul de făcut gheață. Mențineți aparatu-

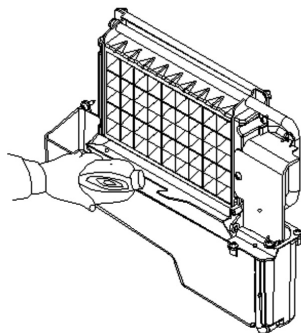
lul de făcut gheață conectat la sursa de alimentare cu apă și la conducta de scurgere. Întrerupeți alimentarea cu apă de la robinetul de apă.

2. Deschideți ușa și scoateți toate cuburile de gheață cu ajutorul cupei. Aruncați-le sau păstrați-le într-o ladă frigorifică sau într-un frigider.
3. Prepararea soluției de curățare. Amestecați agentul de curățare pentru aparatul de făcut gheață Nu-Calgon Nickle Safe cu apă pentru a prepara soluția de curățare.

**AVERTISMENT:** Purtați mănuși de cauciuc și ochelari de protecție atunci când utilizați agentul de curățare pentru aparatul de făcut gheață

Utilizați un recipient din plastic sau din oțel inoxidabil cu o capacitate de peste 4 litri, amestecați 300 ml de agent de curățare pentru aparatul de făcut gheață Nu-Calgon Nickle Safe cu 2,8 litri de apă caldă 50-60°C. Apoi împărțiți amestecul în 2 părți egale în 2 cupe. Se recomandă menținerea temperaturii pentru fiecare cupă de soluție de curățare.

4. Verificați pentru a vă asigura că conducta de scurgere a apei din rezervorul de apă a fost instalată corect în orificiul de pe peretele rezervorului. Apoi turnați o cupă de soluție de curățare pentru aparatul de făcut gheață Nickel-Safe în rezervorul de apă. Așteptați aproximativ 5 minute.



5. Porniți aparatul de făcut gheață, apoi țineți apăsat butonul „CURĂȚARE TEMPORIZATOR” de pe panoul de comandă timp de cel puțin 5 secunde pentru a intra în programul Auto-curățare. În timpul acestui proces, lumina „CURĂȚARE” va fi întotdeauna aprinsă, iar în fereastra digitală se va afișa timpul rămas.

6. După finalizarea programului de auto-curățare,

extrageți conducta de scurgere a rezervorului de apă, scurgeți soluția de curățare în recipient inferior de stocare a gheții. Scuturați ușor unitatea pentru a scurge complet soluția de curățare. Apoi reinstalați conducta de scurgere în orificiul rezervorului de apă.

7. Repetați etapele 4--6 pentru a curăța din nou ansamblul sistemului de făcut gheață.

**AVERTISMENT:** Agentul de curățare pentru aparatul de făcut gheață conține acizi. A NU se utiliza ca atare sau în amestec cu alte produse de curățare pe bază de diluanți. Purtați mănuși din cauciuc pentru a vă proteja mâinile. Citiți cu atenție instrucțiunile privind siguranța materialelor afișate pe recipientul de agent de curățare pentru aparatul de făcut gheață.

8. Deschideți robinetul de apă de la sursa de alimentare și lăsați apa să curgă în unitate. Țineți din nou apăsat butonul „CURĂȚARE TEMPORIZATOR” de pe panoul de comandă timp de cel puțin 5 secunde pentru a intra în programul Auto-curățare. În timpul acestui proces se vor clăti conducta de distribuție a apei, evaporatorul, pompa de apă, conducta de silicon și rezervorul de apă etc.

9. După finalizarea unui program de auto-curățare, extrageți conducta de scurgere a rezervorului de apă, scurgeți soluția de curățare în recipientul inferior de stocare a gheții și scuturați ușor unitatea pentru scurgerea completă a apei. Apoi reinstalați conducta de scurgere și fixați-o în orificiul rezervorului de apă.

10. Repetați de 2 ori etapele 8-9.

11. Respectați programul de mai sus pentru a curăța recipientul de stocare a gheții.

12. Aruncați primul lot de cuburi de gheață.

## Sugestie de curățare

### 1. CURĂȚARE ZILNICĂ

Cupa pentru gheață, ușa și conducta de distribuție a apei trebuie curățate zilnic. La sfârșitul fiecărei zile, clătiți cupa pentru gheață și ștergeți ambele suprafețe ale ușii cu o cârpă curată.

### 2. CURĂȚARE DE DOUĂ ORI PE LUNĂ

Cupa pentru gheață, recipientul pentru gheață, rezervorul de apă, placa de detectare pentru umplerea cu gheață și suprafața evaporatorului trebuie curățate de două ori pe lună în confor-

mitate cu programul de curățare a interiorului.

### 3. CURĂȚARE DE DOUĂ ORI PE AN

Toate componentele & suprafețele expuse la apă sau cuburi de gheață, cum ar fi recipientul de stocare a gheții, rezervorul de apă, ușa, evaporatorul, pompa de apă, tubul de silicon, conducta de distribuție a apei etc. trebuie curățate **utilizând agent de curățare pentru aparatul de făcut gheață Nu-Calgon Nickle Safe** la intervale de 6 luni.

## Depanar

Problemă	Cauză posibilă	Soluție
Indicatorul „ADĂUGARE APĂ” este aprins.	Nu se face alimentarea cu apă	Verificați presiunea de la sursa principală de alimentare cu apă sau verificați dacă nu este blocat furtunul de alimentare cu apă, prin creșterea presiunii sau curățarea furtunului.
	Flotorul comutatorului pentru detectarea nivelului apei este blocat, nu se poate ridica	Curățați rezervorul de apă și comutatorul pentru detectarea nivelului apei.
	Se scurge apă din rezervorul de apă	Amplasați unitatea pe o suprafață plană, neînclinată.
	Se scurge apă din conducta de scurgere a apei de la rezervorul de apă.	Extrageți conducta și reinstalați-o corect în orificiul de la rezervorul de apă.
Indicatorul „ADĂUGARE APĂ” este intermitent	Este deteriorat furtunul de alimentare cu apă sau fluxul de apă este redus.	Verificați presiunea de la sursa principală de alimentare cu apă sau verificați dacă nu este blocat furtunul de alimentare cu apă, prin creșterea presiunii sau curățarea furtunului.
Pompa de apă funcționează, dar nu curge apă din conducta de distribuție a apei	Orificiile conductei de distribuție a apei sunt blocate.	Curățați orificiile.
Transparența cubului de gheață nu este foarte bună	Calitatea apei este proastă	Schimbați sursa de alimentare cu apă sau utilizați filtrul de apă pentru a deduriza sau a filtra apa.
Cuburile de gheață au formă neregulată	Calitatea apei nu este bună sau rezervorul de apă este foarte murdar	Curățați rezervorul de apă și completați cu apă curată.
	Orificiile conductei de distribuție a apei sunt blocate	Curățați conducta de distribuție a apei și asigurați-vă că niciunul dintre cele două orificii nu este blocat.
Cubul de gheață este foarte subțire	Temperatura ambientală este prea ridicată	Deplasați unitatea într-un spațiu cu temperatură scăzută sau prelungiți durata fiecărui ciclu de formare de gheață.
	Circulația aerului în jurul unității nu este adecvată	Asigurați-vă că există un spațiu liber de cel puțin 20 CM între partea din spate & din față a unității și eventualele obstacole
Cubul de gheață este prea gros	Temperatura ambientală este prea scăzută	Reduceți durata fiecărui ciclu de formare de gheață.
Indicatorul „PLIN” este aprins	Recipientul de stocare a gheții este plin cu cuburi de gheață.	Îndepărtați o parte din cuburile de gheață
Ciclu de formare a gheții este normal, dar nu se formează cuburi de gheață	Temperatura ambientală sau temperatura apei din rezervorul de apă este prea ridicată	Deplasați unitatea într-un spațiu cu o temperatură sub 32 grade Celsius și înlocuiți apa cu apă de temperatură joasă
	Scurgeri de agent frigorific	Este necesară intervenția tehnicianului pentru întreținere
	Tubul sistemului de răcire este blocat	Este necesară intervenția tehnicianului pentru întreținere

### Indicatorul de eroare

E1: Defectarea senzorului pentru temperatură ambientală

E2: Durata unui ciclu de formare de gheață depășește 35 de minute, unitatea se va întrerupe. Fie sistemul de protecție al sistemului la absența agentului frigorific în sistemul de răcire, fie compresorul nu funcționează.



---

## **Garanție**

Orice defecțiune care afectează funcționarea aparatului apărută la mai puțin de un an de la cumpărarea acestuia va fi remediată prin reparație sau înlocuire gratuită, cu condiția ca aparatul să fi fost folosit și întreținut conform instrucțiunilor nu să nu fi fost bruscat sau folosit necorespunzător în vreun fel. Drepturile dumneavoastră legale nu sunt afec-

tate. Dacă aparatul este în garanție, menționați când și de unde a fost cumpărat și includeți dovada cumpărării (de ex. chitanța).

Conform politicii noastre de dezvoltare continuă a produsului, ne rezervăm dreptul de a modifica produsul, ambalajul și documentația fără notificare.

---

## **Eliminarea și mediul înconjurător**

La dezafectarea aparatului, produsul nu trebuie aruncat împreună cu alte deșeuri menajere. În schimb, este responsabilitatea dumneavoastră să eliminați echipamentul uzat prin predarea acestuia la un punct de colectare desemnat. Nerespectarea acestei reguli poate fi penalizată în conformitate cu reglementările aplicabile privind eliminarea deșeurilor. Colectarea separată și reciclarea echipamentului dumneavoastră uzat la momentul debarasării contribuie la conservarea resurselor naturale și

asigură realizarea reciclării într-un mod care protejează sănătatea ființelor umane și a mediului. Pentru informații suplimentare privind modul în care puteți preda deșeurile dumneavoastră în scopul reciclării, vă rugăm să contactați compania locală de colectare a deșeurilor. Producătorii și importatorii nu își asumă responsabilitatea cu privire la reciclarea, tratarea și eliminarea ecologică a deșeurilor, fie direct, fie prin intermediul unui sistem public.



Благодарим Вас за покупку этого устройства Arktic. Внимательно прочитайте это руководство, обращая особое внимание на правила безопасности, изложенные ниже, перед установкой и использованием этого устройства в первый раз.

## Правила безопасности

- Это оборудование предназначено для буфета и домашнего использования.
- Используйте прибор только по назначению, для которого он был разработан, как описано в данном руководстве.
- Изготовитель не несет ответственности за любой ущерб, вызванный неправильной работой и неправильным использованием.
- Держите прибор и электрическую вилку подальше от воды и других жидкостей. В случае, если прибор попадает в воду, немедленно снимите вилку питания с розетки. Не используйте устройство до тех пор, пока оно не будет проверено сертифицированным техническим специалистом. Несоблюдение этих инструкций приведет к угрожающей жизни опасности.
- Никогда не пытайтесь открыть корпус прибора самостоятельно.
- Не вставляйте объекты в корпус прибора.
- Не прикасайтесь к вилке мокрыми или влажными руками.
-  **ОПАСНОСТЬ ПОРАЖЕНИЯ ЭЛЕКТРИЧЕСКИМ ТОКОМ!** Не пытайтесь самостоятельно отремонтировать прибор, ремонт должен проводиться только квалифицированный персонал.
- **Никогда не используйте поврежденный прибор!** Когда устройство повреждено, отсоедините устройство от розетки и обратитесь к продавцу.
- **ПРЕДУПРЕЖДЕНИЕ!** Не погружайте электрические части прибора в воду или другие жидкости.
- Никогда не удерживайте прибор под проточной водой.
- Регулярно проверяйте штекер питания и шнур на наличие повреждений. В случае повреждения его необходимо заменить сервисным агентом или лицом, имеющим аналогичную квалификацию, с тем чтобы избежать опасности или травм.
- Убедитесь, что шнур не соприкасается с острыми или горячими предметами и держите его подальше от открытого огня. Никогда не тяните шнур питания, чтобы отсоединить его от розетки, всегда тяните вилку вместо нее.
- Убедитесь, что шнур питания и/или удлинитель не вызывают опасности аварии.
- Никогда не оставляйте прибор без присмотра во время использования.
- **ПРЕДУПРЕЖДЕНИЕ!** Пока штекер находится в розетке, прибор подключается к источнику питания.
- Выключите устройство, прежде чем отсоединить его от розетки.
- Подключите вилку питания к легкодоступной электрической розетке, чтобы в случае аварийной ситуации устройство можно было немедленно отключить.
- Никогда не носите прибор за шнур.

- Не используйте дополнительные устройства, которые не поставляются вместе с устройством.
- Подключите прибор только к электрической розетке с напряжением и частотой, указанными на этикетке устройства.
- Никогда не используйте аксессуары, кроме тех, которые рекомендованы производителем. Невыполнение этого требования может представлять опасность для безопасности пользователя и привести к повреждению устройства. Используйте только оригинальные детали и аксессуары.
- Этот прибор не должен эксплуатироваться лицами с ограниченными физическими, сенсорными или умственными возможностями, или лицами, не имеющими опыта и знаний.
- Этот прибор ни при каких обстоятельствах не должен использоваться детьми.
- Держите устройство и его шнур питания в недоступном для детей месте.
- **ПРЕДУПРЕЖДЕНИЕ:** ВСЕГДА выключите устройство и отключите розетку от розетки перед очисткой, обслуживанием или хранением.

## Специальные правила безопасности

- Acest aparat este destinat a fi utilizat în mediu casnic sau similar cum ar fi
  - 1) Bucătărie pentru personal în magazine, birouri și alte medii de lucru;
  - 2) Pensiuni agroturistice și de către clienții hotelurilor, motelurilor și alte tipuri de spații rezidențiale;
  - 3) Locații de tip Bed and breakfast;
  - 4) Catering și medii similare non-retail.
- Acest aparat este recomandat a fi utilizat de către personal instruit în cadrul bucătăriilor din restaurante, cantine sau baruri etc.
-  **ВНИМАНИЕ! Горячая поверхность!** При использовании поверхность горячая. Прикасаться можно только к панели управления.
-  **ВНИМАНИЕ! Опасность пожара!** В устройстве используется холодильный агент R290. Это легковоспламеняемый холодильный агент. В устройстве используется пенообразующее вещество (средство вспенивающее изолирующую пену) Циклопентан. Это легковоспламеняемое вещество.
- Запрещается ставить устройство на нагревающиеся поверхности (газовые, электрические, угольные плиты и т. д.) Устройство не следует держать вблизи горячих поверхностей и открытого огня. Устройство следует использовать на ровной, устойчивой, термостойкой и сухой поверхности.
- Данное устройство не предназначено для эксплуатации с использованием внешнего таймера или отдельного пульта дистанционного управления.
- **ПРЕДУПРЕЖДЕНИЕ.** Не допускается закрывать вентиляционные отверстия в корпусе устройства.
- **ПРЕДУПРЕЖДЕНИЕ.** Запрещается использовать механические устройства и другие средства для ускорения процесса размораживания, кроме средств, рекомендованных производителем.

- **ПРЕДУПРЕЖДЕНИЕ.** Запрещается повреждать охлаждающую цепь.
- **ПРЕДУПРЕЖДЕНИЕ.** Использовать только питьевую воду.
- Запрещается хранить в устройстве взрывоопасные вещества, например аэрозольные баллоны с горючим содержимым.
- Во время эксплуатации необходимо обеспечить вокруг устройства не менее 20 см свободного пространства.
- Не допускается ударять по наружной поверхности твердыми предметами. Запрещается использовать для чистки водяную струю, промывать водой или использовать паровой очиститель, поскольку влажные детали повышают опасность поражения током.
- Не допускается подвергать устройство воздействию прямых солнечных лучей. Необходимо избегать механических ударов и вибрации.
- Устройство следует перемещать или транспортировать в вертикальном положении, чтобы не повредить его.
- Осторожно! При необходимости следует надежно закрепить кабель питания для предотвращения случайного дергания или соприкосновения с горячей поверхностью.
- Запрещается проводить чистку устройства или помещать его на хранение до того, как оно полностью остынет.
- Никакие детали устройства нельзя мыть в посудомоечной машине.

### **ВНИМАНИЕ:**

Провода в кабеле электропитания маркируются следующим цветом:

зелёно-жёлтый:	заземление
голубой:	ноль
коричневый:	фаза

Так как цвета проводов в кабеле электропитания могут не соответствовать цветной маркировке на зажимах штепсельной вилки, следует действовать следующим образом:

Провод, зелёного и жёлтого цвета, нужно подключить к зажиму в вилке с литерой «E», «G» или символом заземления, или зелёного, или зелёно-жёлтого цвета.

Провод голубого цвета должен быть подсоединен к зажиму с литерой «N».

Провод коричневого цвета должен быть подсоединен к зажиму с литерой «L».

**ВНИМАНИЕ:** произведенные кубики льда склеены друг с другом, поэтому перед использованием нужно их отделить друг от друга.

### **Предполагаемое использование**

- Это оборудование предназначено для буфета и домашнего использования.
- Устройство предназначено для изготовления кубиков льда. Использование устройства для любых других целей может привести к повреждению или травме тела.
- Использование устройства для любых других целей будет рассматриваться, как использование не по назначению. Пользователь будет нести исключительную ответственность за неправильное использование устройства.

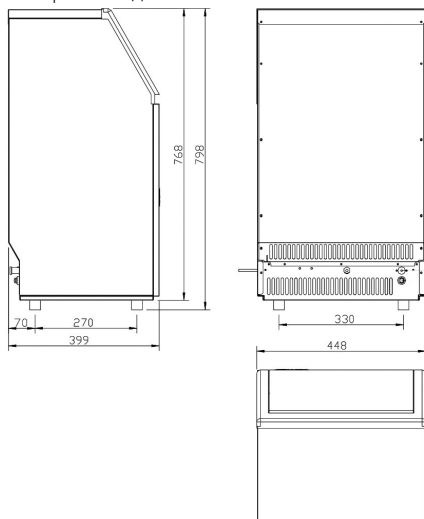
## Установка заземления

Этот прибор относится к **классу защиты I** и должен быть подключен к защитному грунту. Заземление снижает риск поражения электрическим током, обеспечивая выход провода для электрического тока. Этот прибор оснащен шнуром пи-

тания с заземляющим проводом и заземленной штепсельной вилкой. Вилка должна быть подключена к розетке, которая правильно установлена и заземлена.

## Техническая спецификация

### 1) Габариты/Подключения



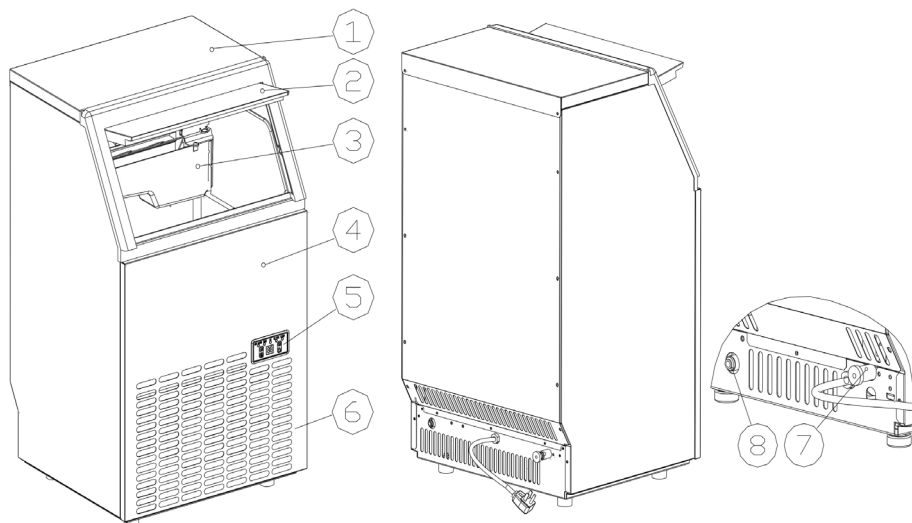
### 2) Номинальные значения

№ позиции	271575
Рабочее напряжение и частота	220-240В~ /50Гц
Номинальный ток	2,2А
Номинальная выходная мощность	280W
Хладагент и количество впрыскивания	R290 / 95г
Климатический класс	SN-T
Легковоспламеняющийся пенообразователь	Циклопентан
Класс защиты	класс I
Условия работы	Темп. помещения 10°C ~ 38°C Темп. воды 5°C ~ 35°C Давление воды 0,04 ~ 0,6 МПа
Вес нетто (примерно)	27кг
Внешние размеры	448x400x(H)798мм

**Примечание:** Технические характеристики могут быть изменены без предварительного уведомления.

## Общая информация

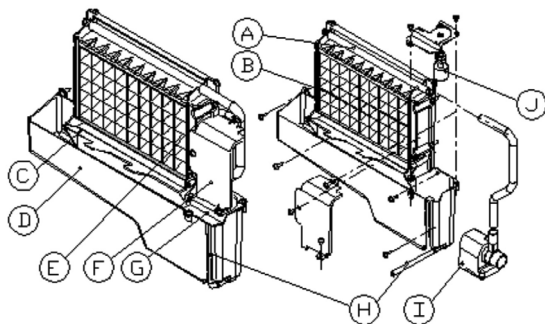
### 1) Конструкция генератора



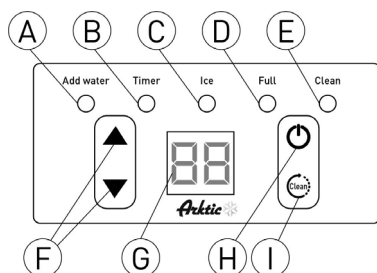
1. Верхняя крышка
2. Дверки
3. Блок льдогенератора и резервуара воды
4. Передняя панель
5. Панель управления
6. Выпуск воздуха: необходимо обеспечить свободное поступление воздуха; во время работы выдувается горячий воздух.

7. Место спуска воды
8. Место впуска воды

Аксессуары: Белый шланг спуска воды длиной в 2 метра, фитинг для крана, белый шланг длиной в 3 метра для подключения водопроводной воды (диам. 6,35 мм).



- A. Трубка распределения воды: с девятью небольшими отверстиями, из которых поступает вода.
  - B. Испаритель (модуль льдогенератора)
  - C. Плита обнаружения наполнения емкости льда.
  - D. Резервуар воды.
  - E. Трубка подачи воды.
  - F. Крышка с правой стороны испарителя.
  - G. Установочная плата выключателя уровня воды.
  - H. Трубка спуска воды из резервуара воды.
  - I. Водяной насос.
  - J. Выключатель, управляемый уровнем воды.
- 2) Панель управления

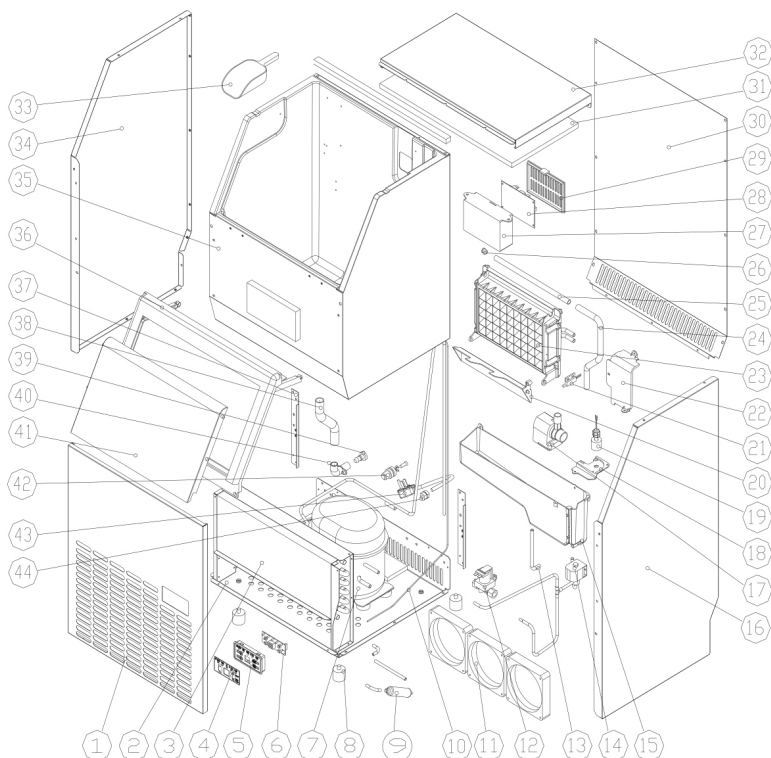


- A. Лампочка "Add water" [Добавить воду]: Мигание этой лампочки означает, что поступление воды слишком медленно; Когда она светится непрерывно, это означает, что в генераторе нет воды.
- B. Лампочка "Timer" [ТАЙМЕР]: Свечение этой лампочки означает, что работает ТАЙМЕР. Таймер включается и выключается с помощью кнопки clean/timer.
- C. Лампочка "Ice" [ЛЁД]: Свечение этой лампочки означает, что генератор производит лёд, а ее мигание означает, что генератор как раз собирает лёд.
- D. Лампочка "Full" [ЗАПОЛНЕНО]: Лампочка начнет светить, когда генератор заполнится льдом.
- E. Лампочка "Clean" [ОЧИСТКА]: Свечение этой лампочки означает начало чистки водяного насоса. Когда она начнет мигать, это будет означать, что процесс чистки остановился.
- F. Кнопки ▲, ▼: С помощью этих кнопок устанавливаем время процесса производства льда. Подразумеваемой величиной является «ноль» и каждое нажатие кнопки ▲ или ▼ соответственно увеличивает, или уменьшает заданное время на 1 минуту. Также при установке времени замедления на таймере, Подразумеваемой величиной является «ноль» и каждое нажатие кнопки ▲ или ▼ соответственно увеличивает, или уменьшает заданное время на 1 час.
- G. Дисплей: В нормальных условиях всегда высвечивается число, показывающее температуру вокруг аппарата, а если цифры на дисплее мигают, высвечиваемые цифры показывают время в минутах, какое осталось до завершения данного процесса, например, цикла продукции льда, автоматической очистки и т.д.

Н. Кнопка "⏻" [„ВКЛ./ВЫКЛ.“]: Когда генератор выключен, нажатие этой кнопки запускает его. В тракте выполнения автоматической очистки, или производства льда, нажатие на нее вызовет немедленное выключение генератора. В том случае, когда включен таймер, с помощью этой кнопки установки таймера аннулируются. В тракте производства кубиков льда, нажатие этой кнопки и удержание на 5 секунд и более переключит генератор в режим начала сбора льда.

И. Кнопка "⌚" [ПРОГРАММИРОВАНИЕ ЧИСТКИ]: Чтобы войти в режим установки таймера, нужно нажать кнопку один раз. Нажать эту кнопку и удерживать более 5 секунд при выключенном оборудовании, чтобы войти в меню программы мойки.

## Список частей





№	Название детали	Кол.	примечание	№	Название детали	Кол.	примечание
1	Передняя панель	1		24	Трубка подачи воды	1	
2	Нижняя плита	1		25	Трубка распределения воды с девятью отверстиями	1	
3	Конденсатор	1		26	Колпачок трубки распределения воды	1	
4	Крышка операционной панели	1		27	Коробка печатной платы электрического контура	1	
5	Коробка печатной платы операционной панели	1		28	Печатная плата главного модуля управления	1	
6	Печатная плата операционной панели	1		29	Крышка печатной платы главного модуля управления	1	
7	Компрессор	1		30	Задняя плита	1	
8	Регулируемая ножка	4		31	Изолирующий пенопласт верхней крышки	1	
9	Сухой фильтр	1		32	Верхняя крышка	1	
10	Капилляр	1		33	Совок для льда	1	
11	Вентилятор постоянного тока	3		34	Левая боковая плита	1	
12	Кран подачи воды	1		35	Внутренний отсек, изолированный пенопластом, емкость для льда	1	
13	Трубка слива воды из резервуара воды	1		36	Рама дверец	1	
14	Электромагнитный клапан процесса сбора ледяных кубиков	1		37	Укрепленная задняя плита	1	
15	Резервуар воды	1		38	Трубка слива воды из внутреннего отсека	1	
16	Правая боковая плита	1		39	Заглушка слива воды	1	
17	Насос контура воды	1		40	Место слива воды	1	
18	Крышка резервуара воды	1		41	Дверки	2	
19	Выключатель, регулируемый уровнем воды	1		42	Место подачи воды	1	
20	Плита, показывающая заполнение генератора льдом	1		43	Кабель электропитания	1	
21	Магнитный переключатель управления	4		44	Зажим кабеля электропитания	1	
22	Крышка правой стороны испарителя	1		45	Электропроводка	1	
23	Испаритель и его рама	1					

## Распаковка льдогенератора

1. Снять внешнюю и внутреннюю упаковку. Проверить комплектность поставки; есть ли все аксессуары, инструкция по обслуживанию, совок для кубиков льда, шланг для подключения воды, разъемные переходники с 4-х на 2-е жилы быстрого действия, шланг слива воды и т.д. Если чего-либо не достаёт нужно обратиться в наш отдел поставок.
2. Сохраните упаковку, если намереваетесь хранить прибор в будущем.
3. Снять ленты крепления дверец, внутреннего отсека, совка для льда и т.д. Протереть внутренний отсек и совок для льда с помощью влажной тряпки.
4. Льдогенератор установить на ровное и плоское основание, на месте не подверженное непосредственному воздействию солнечных лучей

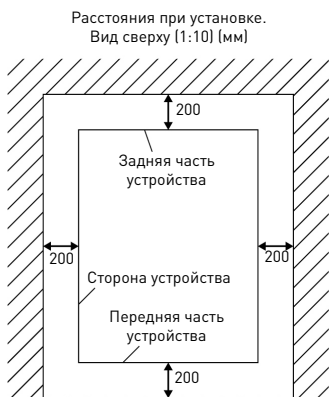
и удаленном от источников тепла (например, печи, кухонной плиты, батареи центрального отопления и т.д.). Сохранить не менее 20 сантиметровое расстояние между выпуском воздуха и посторонними предметами и не менее 5 см между левой/правой боковой стенкой генератора и стеной помещения.

5. Перед подключением льдогенератора к электросети, генератор следует оставить в покое на 4 часа, чтобы хладагент попал в нужное место – генератор на время транспортировки мог находиться в перевернутом положении.
6. Генератор нужно установить так, чтобы оператор мог свободно дотянуться до розетки.

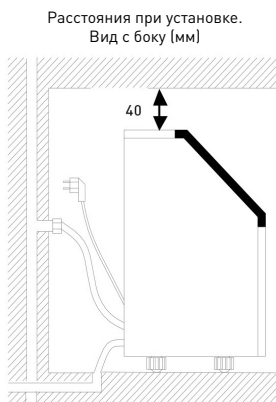
**ПРЕДУПРЕЖДЕНИЕ:** Для производства ледяных кубиков нужно использовать только чистую питьевую воду.

## Требования к месту установки

- а) Следует поддерживать температуру в помещении и температуру подаваемой воды в границах, указанных в вышеприведенной таблице спецификации. Неисполнение этого условия может ухудшить работу льдогенератора.
- б) Генератор не должен устанавливаться вблизи источника тепла.



- в) Генератор следует устанавливать на стабильном и плоском основании на уровне обычного стола.
- д) Вокруг устройства должно быть не менее 200 мм свободного пространства и 40 мм сверху для обеспечения хорошей вентиляции воздуха.
- е) Нельзя ничего ставить сверху льдогенератора.



При установке льдогенератора под столешницей стола, нужно помнить о сохранении нужных расстояний (приведенных выше). Электропровода и шланги подключения подачи и слива воды в указанных местах указано на рисунке выше.

Для установки генератора следует избрать хорошо вентилируемое место, в котором имеется температура не падает ниже плюс 10°C и не

превышает 32°C. Генератор ДОЛЖЕН устанавливаться на месте, защищенном от влияния таких факторов, как ветер, дождь брызг и капель воды. Льдогенератор нуждается в постоянной подаче воды под давлением 1-8 бар, как это показано в таблице номинальных величин. Чтобы генератор работал правильно, температура подводимой к нему воды должна находиться в границах с 5°C до 25°C.

## Требования к электропроводке

**ПРЕДУПРЕЖДЕНИЕ:** ГЕНЕРАТОР ДОЛЖЕН БЫТЬ ЗАЗЕМЛЕН

- Перед установкой льдогенератора в нужное для этого место нужно удостовериться в том, что имеется соответствующая точка подключения к электросети.
- Рекомендуется выполнить отдельный электрический контур, который будет предназначен только для нужного нам льдогенератора. Нужно

пользоваться только розетками, которых нельзя отключить выключателем, или которые защищены от этого цепочкой. Если нужно будет заменить кабель электропитания или розетку, это должен выполнять квалифицированный электрик.

- Наш генератор нуждается в подключении к электросети напряжением 220-240 В, 50 Гц, а также имеющей заземление.

## Мытье льдогенератора перед первым пуском

1. Открыть дверки.
2. Генератор нужно вымыть раствором чистящего средства в теплой воде с помощью мягкой тряпки.
3. Внутренние поверхности, которые контактируют с водой нужно вымыть несколько раз. Вынуть шлаг слива воды из резервуара воды, промаркированный на вышеприведенном рисунке литерой "Н", после чего помыть резервуар для льда. После этого слить всю воду, использованную для мытья через отверстие слива воды, находящееся сзади генератора

(промаркированное на вышеприведенном рисунке цифрой "7"). Установить обратно шланг слива воды, в противном случае генератор не сможет правильно работать. Первые кубики льда, полученные после чистки генератора, спустить в канализацию.

4. Наружные поверхности льдогенератора нужно регулярно мыть слабым водным раствором чистящего средства и ополоснуть после этого теплой водой.
5. Вытереть досуха внутренние и наружные поверхности генератора мягкой тряпкой.

## Подключение воды к льдогенератору

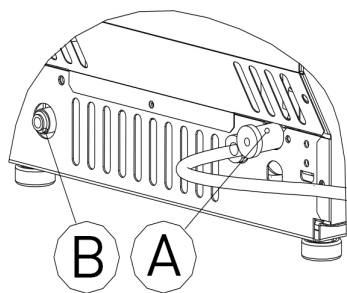
**ВНИМАНИЕ:** Нужно использовать только новые шланги, поставляемые вместе с генератором.

Подключить шланг, подводящий воду к генератору

Шаг 1: Сначала снять зажим с места подвода воды (промаркированного на нижеследующем

рисунке литерой "В"), находящегося сзади генератора. Снять противо-пылевую заглушку.

Шаг 2: Вставить один конец шланга в место подключения шланга, прижать и обратно надеть зажим.



ШАГ 1: Снять противо-пылевую заглушку



Шаг 2: Втиснуть шланг



## Подключение шланга спуска воды

Снять заглушку слива воды черного цвета (промаркированного на выше следующем рисунке литерой "А"), потом подключить прилагаемый к

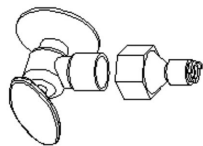
поставке белый шланг слива, а его второй конец подвести к трубе слива в канализацию.

## Подключить шланг подключения воды к крану водопровода

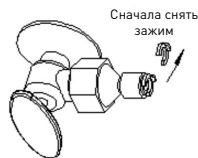
Прилагаемая головка быстрого разъема накручивается на кран – сначала следует снять зажим с головки быстрого разъема, а второй конец втиснуть в головку быстрого разъема и снова надеть зажим.

**ВНИМАНИЕ:** Давление воды в водопроводе должно быть не ниже 0,04-05 МПа.

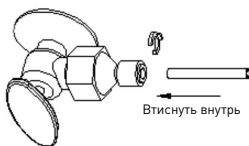
Шаг 1: головка быстрого разъема и кран



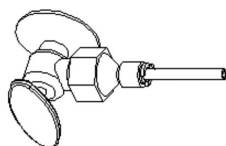
Шаг 2: закрутить головку быстрого разъема концом с резьбой на кран, после чего снять зажим





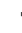

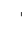
Шаг 3: Втиснуть шланг до упора



Шаг 4: Обратоно надеть зажим

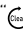



## Производство льда

1. После подключения всех шлангов, нужно подключить к электросети сам генератор. Далее нажать кнопку  на панели управления для начала производства льда. Зажётся лампочка "Ice". Цифровой дисплей будет показывать температуру в помещении. В тракте процесса производства льда будет работать компрессор, двигатель вентилятора и водяной насос.
2. Каждый производственный цикл будет продолжаться около 11 - 30 минут в зависимости от температуры в помещении и температуры воды.
3. После завершения процесса производства льда, генератор переключится на режим сбора льда. При этом индикатор покажет уровень воды. Если он будет слишком низок, начнет мигать лампочка "Add water". Тогда нужно открыть клапан подачи воды для ее пополнения в резервуаре воды. После завершения этого процесса, лампочка "Add water" потухнет.
4. После того, как зажётся индикатор "Full", генератор остановит работу. После того, как вынем определенное количество кубиков льда, генератор возобновит работу спустя около 3 минут.
5. В тракте процесса производства льда, нажать кнопку  или  для изменения продолжительности процесса производства льда. Это повлечет за собой изменение толщины кубика льда. Подразумеваемым параметром является «ноль», а каждое нажатие кнопки  или  соответственно увеличит, или сократит продолжительность процесса на 1 минуту. Спустя 5 секунд после последнего нажатия кнопки новый параметр будет запомнен.
6. Плохое качество воды даст плохое качество кубика льда и снизит его прозрачность.

**ВНИМАНИЕ:** произведенные кубики льда склеены друг с другом, поэтому перед использованием нужно их отделить друг от друга.

## Программа автоматической очистки

Начало программы автоматической очистки: После подключения шланга подачи воды, подключить генератор к электросети, после чего нажать и удерживать на 5 или больше секунд кнопку  для начала программы чистки. В тракте процесса очистки будет светить лампочка "Clean", а цифровой дисплей будет показывать время, какое осталось до окончания процесса чистки. Программа автоматической очистки продолжится 30 минут.

Обнуление программы автоматической очистки: Один цикл автоматической очистки продолжится 30 минут. После завершения программы, генератор автоматически отключается. Можно также принудительно прекратить выполнение программы автоматической очистки путем нажатия кнопки  на панели управления.



## Звуки

Ваш новый льдогенератор может издавать необычные звуки, которые, однако, могут быть вполне естественны. Твердое основание, например, пол, стены или шкафы могут способствовать тому, что звуки, издаваемые генератором, могут казаться более громкими, чем они на самом деле. Ниже приводим описание звуков, издаваемых льдогенератором.

- Когда открыт водяной кран для наполнения резервуара водой в каждом цикле, будет слышен характерный шум.
- Клекочущие звуки могут вызываться перетеканием хладагента, или перетеканием воды в водопроводных трубах.
- Высокопроизводительный компрессор, может продуцировать пульсирующий звук высокой частоты.

- Вода, вытекающая из резервуара на испаритель может издавать специфический плескающий звук.
- Также вода, вытекающая из испарителя в резервуар также может издавать специфический плескающий звук.
- В момент окончания каждого цикла можно услышать бульканье, вызываемое протеканием хладагента в генераторе.
- Можно услышать свист воздуха, выдуваемого вентилятором. В тракте цикла сбора льда, можно услышать звук кубиков, попадающих в резервуар.
- После первого пуска льдогенератора Вы услышите звук непрерывного потока воды. Льдогенератор перед началом производства льда проведет цикл полоскания.

## Подготовка льдогенератора к продолжительному хранению

Если льдогенератор не будет использоваться продолжительное время, или если он должен быть перемещен на другое место нужно слить всю воду из генератора.

1. Выключит генератор и вынуть штепсельную вилку из розетки.
2. Перекрыть подачу воды из главного трубопровода.
3. Отсоединить шланг подачи воды от клапана подачи воды.
4. Вынуть трубку слива воды из резервуара воды (промаркированный на рисунке литерой «Н»), чтобы слить всю воду из резервуара. После слива всей воды, закрепить трубку воды на ее исходном месте.
5. Слить всю воду через отверстие слива воды сзади генератора (пг 7 на рисунке).

6. Отсоединить шланг слива воды от канализационной трубы, или отверстия слива в полу и закрутить заглушку на место слива воды.
7. Оставить дверки открытыми для того, чтобы позволить воздуху свободно вентилировать генератор во избежание образования плесени.
8. Шланг подачи воды и кабель электропитания должны быть отключены от питания до момента следующего использования льдогенератора.
9. Осушить внутренность генератора и вытереть внешние поверхности досуха.
10. Льдогенератор прикрыть пленкой во избежание его загрязнения.

---

## Очистка и техническое обслуживание

**ПРЕДУПРЕЖДЕНИЕ:** Для мытья/дезинфекции льдогенератора не следует использовать никакого-либо спирта, ни аэрозолей – это может привести к растрескиванию пластиковых деталей. Не реже одного раза в год конденсатор нужно подвергнуть внимательному осмотру и чистке силами квалифицированной сервисной службы, для того чтобы генератор работал долго и исправно. Генератор нужно чистить струей воды.

**ВНИМАНИЕ:** Если льдогенератор не использовался продолжительное время, перед его следующим использованием нужно тщательно вымыть. Нужно точно соблюдать инструкцию по чистке, включая использование дезинфицирующих средств. Льдогенератор нужно тщательно очистить от любых чистящих средств после использования для чистки генератора.

---

## Очистка наружных поверхностей корпуса

Дверки и Внутренние поверхности генератора следует мыть слабым раствором моющего средства и теплой водой. Не следует использовать средства, содержащие растворители, абразивные, или агрессивные компоненты. Для мытья использовать мягкую губку. После мытья моющим средством поверхности ополоскать чистой водой, а потом вытереть досуха, чтобы предотвратить образование подтеков.

---

## Очистка внутренних поверхностей генератора

### Емкость для кубиков льда

Емкость для кубиков льда следует время от времени продезинфицировать. Емкость перед первым использованием следует вымыть, так же следует поступить в случае длительного неиспользования. Пустую емкость лучше всего продезинфицировать, вынув ее из генератора.

1. Отключить генератор от электросети.
2. Открыть дверки и с помощью влажной тряпки протереть внутренние поверхности дезинфицирующим раствором, состоящим из 28 г отбеливателя, или хлорки и 7,5 л горячей воды.

Периодическое мытье, правильное техническое обслуживание обеспечит нужную производительность, безотказность работы, чистоту производства и долговечность работы генератора. Нужно соблюдать разумные временные промежутки между очередными чистками. Если у Вас имеются домашние питомцы, генератор используется на открытом месте, или имеются другие причины, рекомендуется эти промежутки сократить.

Помните, что в емкости для льда не следует держать ничего, что не является льдом – бутылки с вином, пивом. Это не только разводит антисанитарию, но и отклеившееся этикетки могут попасть в трубу слива воды и засорить ее.

**ВНИМАНИЕ:** Модели, выполненные из нержавеющей стали, на которые может воздействовать газ, или жидкости, содержащие хлор или его соединения, устанавливаемые вблизи, например, бассейнов могут местами окрашиваться – такое явление это обычное проявление воздействия хлора на нержавеющую сталь.

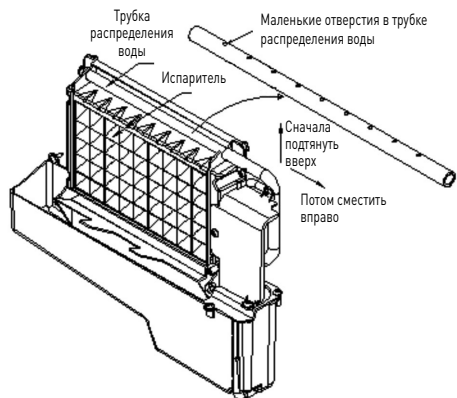
3. После этого ополоскать чистой водой. Воду слить в канализацию через шланг слива.
4. Обратно подключить генератор к электросети. Совок для льда следует мыть регулярно, так же как всякий прочий инвентарь, которые прикасаются к пищевым продуктам.

**ПРЕДУПРЕЖДЕНИЕ:** не следует использовать растворители, абразивные, или агрессивные средства – они могут ухудшить вкус льда.

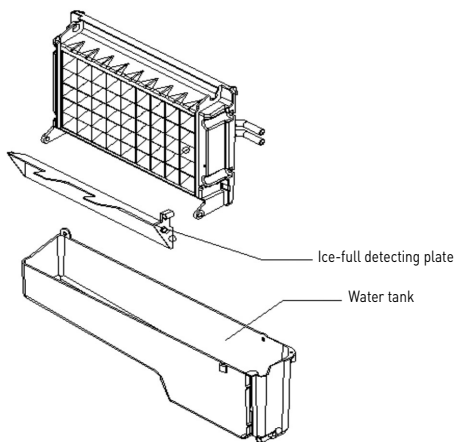
## Очистка элементов, производящих лед

В тракте использования нужно периодически чистить главный блок льдогенератора.

1. Повторить вышеописанные действия, предпринятые для мытья резервуара воды, а также прочих внутренних элементов генератора.
2. Дополнительно нужно прочистить трубку подающую воду на испаритель; демонтировать этот элемент и прочистить каждое маленькое отверстие, которое можно увидеть на рисунке, обращая внимание на то, чтобы трубка стала проходимой, потом обратно установить ее на штатное место.
3. Если на поверхности испарителя имеются кубики льда, которых не удается снять, нельзя их снимать насильно; достаточно нажать кнопку "ON/OFF" и придержать на более 5 секунд - генератор перейдет в режим подогрева льда и кубики самостоятельно оторвутся от основания. После этого нужно генератор отключить от электросети и можно приступить к мытью поверхности испарителя.



4. Резервуар воды и плата, показывающая заполнение льдом



Резервуар воды и плата, показывающая заполнение льдом, имеют существенное значение для гигиенической чистоты кубиков льда. В чистую орошающую жидкость добавить немного смеси нейтрального моющего средства и воду, и потом оросить все внутренние поверхности резервуара воды и плату, показывающую заполнение емкости льдом. После этого поверхности вытереть досуха чистой тряпкой. Использованную для мытья воду слить в канализацию, снимая трубку слива (промаркированную на рисунке литерой «Н»). После слива всей воды, трубку слива воды из резервуара поместить обратное на ее штатное место.

**Помните о том, чтобы после выполнения чистки внутренних поверхностей первую партию кубиков льда слить в канализацию.**



## Удаление котлового камня

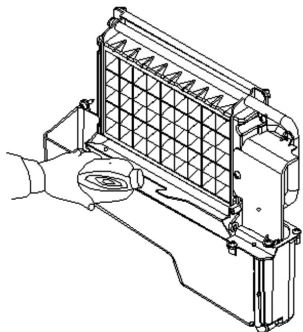
Минералы, выпавшие из воды в тракте цикла замораживания, образуют твердый слой котлового камня в контуре обращения воды. Регулярное мытье помогает удалить накопившийся котловой камень. Как часто мыть контур, зависит от жесткости используемой воды. В случае очень жесткой воды (жесткость с 4 до 5 гран литр воды), очистку нужно проводить каждые 6 месяцев.

1. Выключить льдогенератор. Не отключать от водопровода подачи воды и слива воды. Перекрыть главный кран подачи воды.
2. Открыть дверки и с помощью совка убрать все кубики льда, положить их в холодильник, морозильник, или слить в канализацию.
3. Сделать моющий раствор, смешивая моющее средство под названием Nu-Calgon Nickle Safe Ice Machine Cleaner для льдогенераторов с водой.

**ПРЕДУПРЕЖДЕНИЕ:** Для использования чистящего средства для льдогенераторов нужно надеть защитные рукавицы и защитные очки.

В пластиковом ведре или из нержавеющей стали объемом свыше 4 литра перемешать 300 мл моющего средства под названием Nu-Calgon Nickle Safe Ice-machine Cleaner с 2,8 литрами теплой воды температурой порядка около 50–60°C. Потом полученную смесь нужно разделить на две равные части в двух емкостях. Смесь надо выдерживать при такой температуре.

4. Удостовериться в том, что трубка слива воды из емкости воды правильно закреплена в отверстии стенки резервуара. Потом влить одну емкость раствора Nickel-Safe Ice Maker Cleaning Solution в резервуар воды. Подождать 5 минут.



5. Подключить электропитание льдогенератора, после чего нажать и удерживать на 5 или боль-

ше секунд кнопку "TIMER/CLEAN" на панели управления для пуска программы автоматической очистки. В тракте этого процесса зажжется лампочка "CLEAN", а цифровой дисплей будет показывать время, оставшееся до завершения данной операции.

6. После завершения одного полного цикла программы автоматической очистки нужно вынуть трубку слива воды из резервуара воды, слить моющий раствор на лед, расположенный в ниже находящуюся емкость для льда, легко встряхивая генератор, чтобы слить остатки воды. После этого снова вставить трубку слива в отверстие в резервуаре воды.
7. Повторить шаги 4–6, чтобы повторно вымыть блок льдогенератора.

**ПРЕДУПРЕЖДЕНИЕ:** Средство для мытья льдогенератора содержит кислоты. НЕЛЬЗЯ его использовать отдельно, или вместе с другими моющими средствами, содержащими растворители. Руки нужно защищать, надевая резиновые рукавицы. А перед работой следует внимательно ознакомиться с инструкцией, особенно с той частью, которая содержит положения по технике безопасности продукта, которая размещается на упаковке средства для мытья льдогенератора.

8. Открыть кран подачи воды и влить воду в генератор. Чтобы запустить программу автоматической очистки нужно нажать на 5 или больше секунд кнопку "TIMER/CLEAN". Тогда будет прочищаться трубка распределения воды, испаритель, водяной насос, силиконовая трубка и резервуар воды и т.д.
9. После завершения одного полного цикла программы автоматической очистки нужно вынуть трубку слива воды из резервуара, слить моющий раствор в нижерасположенную емкость для льда слегка встряхивая генератор, чтобы слить остатки воды. После этого обратно нужно старательно вставить трубку слива воды в отверстие в резервуаре воды.
10. Двукратно выполнить действия, описанные в п.п. 8-9.
11. Согласно вышеизложенной программе помыть емкость для льда.
12. После того, как помоем генератор первую партию кубиков льда сливаем в канализацию.

## Указания, касающиеся мытья

### 1. ЕЖЕДНЕВНОЕ

Совок для льда, дверки и трубку распределения воды нужно мыть ежедневно. На конец дня совок для льда нужно ополоснуть и вытереть досуха, а также вытереть досуха чистой тряпкой дверки с обеих сторон.

### 2. КАЖДЫЕ ДВЕ НЕДЕЛИ

Совок для льда, емкость для льда, резервуар воды, плату, указывающую заполнение льдом, а также поверхность испарителя нужно мыть

каждые две недели согласно программе мытья внутренности генератора.

### 3. КАЖДЫЕ 6 МЕСЯЦЕВ

Все элементы и поверхности, контактирующие с водой, кубиками льда; т.е. резервуар воды, дверки, испаритель, водяной насос, силиконовую трубку, трубку распределителя воды, и т.п. нужно мыть каждые 6 месяцев используя средство под названием **Nu-Calgon Nickle Safe Ice-machine Cleaner**.

## Решение проблем

Проблема	Возможная причина	Решение
Горит индикатор "Add water" [ДОБАВИТЬ ВОДЫ].	Вода не поступает	Проверить давление воды в водопроводе и проверить, не засорен ли шланг подачи воды – если нужно увеличить давление воды и прочистить шланг.
	Поплавок выключателя, реагирующего на уровень воды застрял и не двигается	Помыть резервуар воды и выключатель, показывающий уровень воды
	Вода вытекает из резервуара воды	Установить льдогенератор на ровную поверхность.
	Вода вытекает из трубки слива резервуара воды.	Вынуть трубку и установить ее правильно в отверстие резервуара воды.
Мерцает индикатор "Add water" [ДОБАВИТЬ ВОДЫ].	Повреждение шланга подачи воды, вода поступает очень медленно.	Проверить давление воды в водопроводе и проверить, не засорен ли шланг подачи воды – если нужно увеличить давление воды и прочистить шланг.
Водяной насос работает, но из распределительной трубки вода не вытекает.	Засорены отверстия в трубке распределения воды.	Прочистить отверстия.
Прозрачность кубика льда недостаточна	Низкое качество воды	Поменять источник воды или включить фильтр для умягчения воды.
Форма кубика неправильная	Плохое качество воды или сильное загрязнение резервуара воды	Помыть резервуар воды и залить свежей водой.
	Некоторые отверстия в трубке распределения воды засорены.	Помыть трубку распределения воды, обращая внимание на то, чтобы все девять отверстий были проходными.
Кубики льда очень тонкие	Слишком высокая температура вокруг генератора	Перенести генератор на место с более низкой температурой, или увеличить продолжительность каждого цикла производства льда.
	Поток воздуха вокруг генератора слишком медленный	Обеспечить как минимум 20сантиметровое расстояние между передней и задней стенками генератора и посторонними предметами.
Кубики льда излишни толстые	Слишком низкая температура вокруг генератора	Сократить продолжительность каждого цикла производства льда.
Горит индикатор "Full"	Емкость для льда заполнен полностью кубиками льда.	Вынуть часть кубиков льда.
Цикл производства льда нормален, но не появляется никакой кубик льда	Слишком высокая температура вокруг генератора, или воды в резервуаре воды	Перенести генератор на место с температурой, не достигающей 32°C и переключить генератор на источник воды с более низкой температурой
	Утечка хладагента	Нужно обращение в службу сервиса
	Засорена трубка системы охлаждения	Нужно обращение в службу сервиса

---

## Индикаторы сбоев

E1: Авария датчика температуры помещения

E2: Если время цикла продукции льда превысит 35 минут генератор автоматически отключится. Это должно защитить генератор в случае отсутствия хладагента в контуре охлаждения, или аварии компрессора.

---

## Гарантия

Любая неполадка или поломка, которая влечет за собой неправильную работу устройства, которая будет выявлена в течение первого года от даты покупки, будет устранена бесплатно, или же все устройство будет заменено новым, если оно эксплуатировалось и обслуживалось согласно инструкции по обслуживанию и не использовалось неправильно, или в разрез с назначением. Данное положение ни коей мере не нарушает иных прав потребителя, изложенных в законо-

дательстве. В случае заявления устройства в ремонт или на замену в рамках гарантии, следует указать место и дату покупки устройства и приложить счет, или чековую квитанцию.

Согласно нашей политике совершенствования наших продуктов оставляем за собой право на ввод изменений в конструкцию, упаковку и в технические параметры, указываемые в технической документации без предупреждения.

---

## Утилизация и защита окружающей среды

В случае вывода оборудования из эксплуатации, продукт нельзя утилизировать вместе с другими бытовыми отходами. Пользователь несет ответственность за передачу оборудования в соответствующий пункт приёма техники бывшей в употреблении. Несоблюдение вышеуказанного положения может привести к наложению штрафов в соответствии с действующими правилами в отношении утилизации отходов. Селективный сбор и утилизация использованного оборудования способствуют сохранению природных ресурсов и обеспечивают рециркуляцию таким


образом, который не вреден для здоровья и окружающей среды.

Для получения дополнительной информации о том, где можно отдать использованное оборудование для утилизации, обратитесь в местную компанию по сбору отходов. Производитель и импортер не несут ответственности за рециркуляцию и переработку отходов экологически безопасным способом, как непосредственно, так и в рамках государственной системы.

RU

Σας ευχαριστούμε για την αγορά αυτής της συσκευής Arctic. Διαβάστε προσεκτικά αυτό το εγχειρίδιο, δίνοντας ιδιαίτερη προσοχή στους κανονισμούς ασφαλείας που περιγράφονται παρακάτω, πριν εγκαταστήσετε και χρησιμοποιήσετε αυτή τη συσκευή για πρώτη φορά.


## Κανονισμοί ασφαλείας

- Η συσκευή ενδείκνυται για χρήση σε μπουφέ και οικιακή χρήση.
- Χρησιμοποιείτε μόνο τη συσκευή για τον επιδιωκόμενο σκοπό για τον οποίο σχεδιάστηκε όπως περιγράφεται στο παρόν εγχειρίδιο.
- Ο κατασκευαστής δεν ευθύνεται για τυχόν ζημιές που προκαλούνται από λανθασμένη λειτουργία και ακατάλληλη χρήση.
- Κρατήστε τη συσκευή και το ηλεκτρικό βύσμα μακριά από νερό και άλλα υγρά. Σε περίπτωση που η συσκευή πέσει στο νερό, αφαιρέστε αμέσως το βύσμα τροφοδοσίας από την πρίζα. Μην χρησιμοποιείτε τη συσκευή μέχρι να ελεγχθεί από πιστοποιημένο τεχνικό. Η μη τήρηση αυτών των οδηγιών θα προκαλέσει απειλητικούς κινδύνους για τη ζωή.
- Ποτέ μην επιχειρήσετε να ανοίξετε μόνοι σας το περίβλημα της συσκευής.
- Μην εισάγετε αντικείμενα στο περίβλημα της συσκευής.
- Μην αγγίζετε το βύσμα με βρεγμένα ή υγρά χέρια.
-  **ΚΙΝΔΥΝΟΣ ΗΛΕΚΤΡΟΠΛΗΞΙΑΣ!** Μην επιχειρήσετε να επισκευάσετε τη συσκευή μόνοι σας, οι επισκευές πρέπει να πραγματοποιούνται μόνο από εξειδικευμένο προσωπικό.
- **Ποτέ μην χρησιμοποιείτε μια κατεστραμμένη συσκευή!** Όταν είναι κατεστραμμένο, αποσυνδέστε τη συσκευή από την πρίζα και επικοινωνήστε με το κατάστημα λιανικής πώλησης.
- **ΠΡΟΕΙΔΟΠΟΙΗΣΗ!** Μην βυθίζετε τα ηλεκτρικά μέρη της συσκευής σε νερό ή άλλα υγρά.
- Ποτέ μην κρατάτε τη συσκευή κάτω από τρεχούμενο νερό.
- Ελέγχετε τακτικά το βύσμα τροφοδοσίας και το καλώδιο για τυχόν ζημιές. Σε περίπτωση βλάβης, πρέπει να αντικατασταθεί από αντιπρόσωπο εξυπηρέτησης ή με παρόμοια προσόντα, ώστε να αποφεύγεται ο κίνδυνος ή ο τραυματισμός.
- Βεβαιωθείτε ότι το καλώδιο δεν έρχεται σε επαφή με αιχμηρά ή ζεστά αντικείμενα και κρατήστε το μακριά από ανοιχτή φωτιά. Μην τραβάτε ποτέ το καλώδιο τροφοδοσίας για να το αποσυνδέσετε από την πρίζα, πάντα τραβάτε το βύσμα.
- Βεβαιωθείτε ότι το καλώδιο τροφοδοσίας ή/και το καλώδιο προέκτασης δεν προκαλούν κίνδυνο διαφυγής.
- Μην αφήνετε ποτέ τη συσκευή αφύλακτη κατά τη χρήση.
- **ΠΡΟΕΙΔΟΠΟΙΗΣΗ!** Όσο το βύσμα βρίσκεται στην πρίζα, η συσκευή είναι συνδεδεμένη με την πηγή τροφοδοσίας.
- Απενεργοποιήστε τη συσκευή πριν την αποσυνδέσετε από την πρίζα.
- Συνδέστε το βύσμα ρεύματος σε μια εύκολα προσβάσιμη πρίζα, ώστε σε περίπτωση ανάγκης να αποσυνδεθεί αμέσως η συσκευή.
- Ποτέ μην μεταφέρετε τη συσκευή από το καλώδιο.
- Μην χρησιμοποιείτε επιπλέον συσκευές που δεν παρέχονται μαζί με τη συσκευή.


- Συνδέστε τη συσκευή μόνο σε πρίζα με την τάση και τη συχνότητα που αναφέρονται στην ετικέτα της συσκευής.
- Ποτέ μην χρησιμοποιείτε εξαρτήματα εκτός από αυτά που συνιστώνται από τον κατασκευαστή. Εάν δεν γίνει κάτι τέτοιο, θα μπορούσε να αποτελέσει κίνδυνο για την ασφάλεια του χρήστη και θα μπορούσε να προκαλέσει βλάβη στη συσκευή. Χρησιμοποιείτε μόνο αυθεντικά εξαρτήματα και αξεσουάρ.
- Η συσκευή αυτή δεν πρέπει να λειτουργεί από άτομα με μειωμένες σωματικές, αισθητηριακές ή διανοητικές ικανότητες ή άτομα με έλλειψη εμπειρίας και γνώσης.
- Αυτή η συσκευή δεν πρέπει, σε καμία περίπτωση, να χρησιμοποιείται από παιδιά.
- Κρατήστε τη συσκευή και το καλώδιο τροφοδοσίας μακριά από παιδιά.
- **ΠΡΟΕΙΔΟΠΟΙΗΣΗ:** Πάντα απενεργοποιείτε τη συσκευή και αποσυνδέστε την πρίζα πριν από τον καθαρισμό, τη συντήρηση ή την αποθήκευση.

## Ειδικό Κανονισμοί Ασφαλείας

- Αυτή η συσκευή προορίζεται μόνο για την κατασκευή παγοκύβων. Οποιαδήποτε άλλη χρήση μπορεί να προκαλέσει ζημιά στη συσκευή ή τραυματισμό.
- Χρησιμοποιήστε τη συσκευή μόνο όπως περιγράφεται σε αυτό το εγχειρίδιο.

-  **ΠΡΟΣΟΧΗ!! Καυτή επιφάνεια!** Η επιφάνεια είναι ζεστή όταν χρησιμοποιείται.

Αγγίξτε μόνο τον πίνακα ελέγχου.

-  **ΠΡΟΣΟΧΗ!! Κίνδυνος πυρκαγιάς!** Το ψυκτικό μέσο που χρησιμοποιείται στη συσκευή είναι R290. Είναι ένα ιδιαίτερα εύφλεκτο ψυκτικό. Ο παράγοντας φυσικού αερίου που χρησιμοποιείται είναι το κυκλοπεντάνιο σε αυτήν τη συσκευή. Είναι ιδιαίτερα εύφλεκτο.

- Μην τοποθετείτε τη συσκευή σε ένα θερμαντικές εστίες (βενζίνη, ηλεκτρική κουζίνα, ψισταριά με κάρβουνα, κ.λπ.). Τοποθετήστε τη συσκευή μακριά από θερμές επιφάνειες και γυμνές φλόγες. Χρησιμοποιείτε πάντα τη συσκευή σε επίπεδη, σταθερή, καθαρή, ανθεκτική στη θερμότητα και στεγνή επιφάνεια.

- Αυτή η συσκευή δεν προορίζεται για λειτουργία με εξωτερικό χρονοδιακόπτη ή ξεχωριστό σύστημα τηλεχειρισμού.

- **ΠΡΟΕΙΔΟΠΟΙΗΣΗ:** Βεβαιωθείτε ότι οι οπές αερισμού στο περίβλημα της συσκευής δεν φράσσονται.

- **ΠΡΟΕΙΔΟΠΟΙΗΣΗ:** Μην χρησιμοποιείτε μηχανικές συσκευές ή άλλα μέσα για να επιταχύνετε τη διαδικασία απόψυξης, εκτός από εκείνες που συνιστώνται από τον κατασκευαστή.

- **ΠΡΟΕΙΔΟΠΟΙΗΣΗ:** Προσέξτε να μην προκληθεί ζημιά στο κύκλωμα ψύξης.

- **ΠΡΟΕΙΔΟΠΟΙΗΣΗ:** Βάλτε μόνο πόσιμο νερό.

- Μην αποθηκεύετε εκρηκτικές ουσίες, όπως αεροζόλ, με εύφλεκτο προωθητικό στη συσκευή.

- Αφήστε απόσταση τουλάχιστον 20 cm γύρω από τη συσκευή για αερισμό κατά τη χρήση.

- Μην χρησιμοποιείτε σκληρά σκεύη στην εξωτερική επιφάνεια. Μην χρησιμοποιείτε πίδακα νερού, ξεπλύνετε απευθείας με νερό ή καθαριστικό ατμού, καθώς τα εξαρτήματα υγραίνονται και μπορεί να προκληθεί ηλεκτροπληξία.

- Μην εκθέτετε τη συσκευή σε άμεσο ηλιακό φως. Αποφύγετε μηχανικούς κραδασμούς και δονήσεις.
- Μετακινείτε και μεταφέρετε πάντα τη συσκευή σε όρθια θέση, διαφορετικά μπορεί να προκληθεί βλάβη.
- Προσοχή! Στερεώστε το καλώδιο τροφοδοσίας εάν είναι απαραίτητο για να αποφύγετε ακούσιο τράβηγμα ή επαφή με την επιφάνεια θέρμανσης.
- Μην καθαρίζετε και μην αποθηκεύετε τη συσκευή εκτός εάν έχει κρυώσει τελείως.
- Δεν υπάρχουν εξαρτήματα που μπορούν να πλυθούν σε πλυντήριο πιάτων.

## ΣΗΜΑΝΤΙΚΟ:

Οι αγωγοί στο καλώδιο σύνδεσης δικτύου χαρακτηρίζονται από τα εξής χρώματα:

Πράσινο και κίτρινο:	Γείωση
Μπλε:	Ουδέτερο
Καφέ:	Φάση

Καθώς τα χρώματα των αγωγών στο καλώδιο σύνδεσης της συσκευής μπορεί να μην αντιστοιχούν στα χρώματα των σημάνσεων που καθορίζουν το τερματικό στο βύσμα σας, προχωρήστε ως εξής:

Ο αγωγός ο οποίος είναι πρασινοκίτρινος πρέπει να συνδεθεί στο τερματικό στην πρίζα το οποίο σημειώνεται με το γράμμα E, G ή με σύμβολο ή είναι πρασινοκίτρινο.

Ο αγωγός ο οποίος έχει μπλε χρώμα πρέπει να συνδέεται στο τερματικό το οποίο σημειώνεται με το γράμμα N.

Ο αγωγός ο οποίος είναι καφέ πρέπει να συνδεθεί με το τερματικό το οποίο σημειώνεται με το γράμμα L.

GR

**ΣΗΜΕΙΩΣΗ:** Τα παγάκια που έχουν δημιουργηθεί είναι κολλημένα μεταξύ τους και χρειάζεται να τα σπάσετε πριν τη χρήση.

### Προβλεπόμενη χρήση

- Η συσκευή ενδείκνυται για χρήση σε μπουφέ και οικιακή χρήση.
- Η συσκευή έχει σχεδιαστεί προορίζεται μόνο για την κατασκευή παγοκύβων. Οποιαδήποτε άλλη χρήση μπορεί να προκαλέσει ζημιά στη συσκευή ή τραυματισμό.
- Η χρήση της συσκευής για οποιονδήποτε άλλο σκοπό θεωρείται εσφαλμένη. Ο χρήστης είναι αποκλειστικά υπεύθυνος για την μη κατάλληλη χρήση της συσκευής.

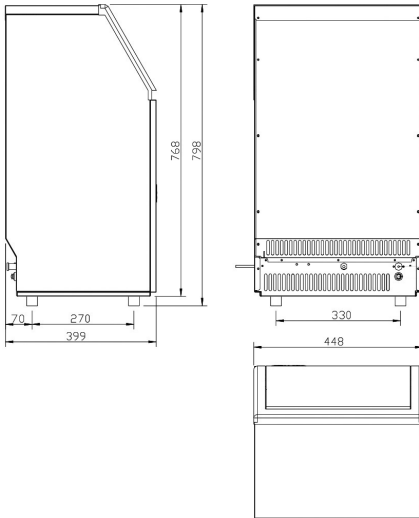
### Εγκατάσταση γείωσης

Η συσκευή αυτή ταξινομείται ως **κατηγορία προστασίας Ι** και πρέπει να συνδέεται με προστατευτικό έδαφος. Η γείωση μειώνει τον κίνδυνο ηλεκτροπληξίας παρέχοντας ένα καλώδιο διαφυγής για το ηλεκτρικό ρεύμα. Αυτή η συσκευή είναι εφοδιασμένη με

καλώδιο τροφοδοσίας που διαθέτει καλώδιο γείωσης και γειωμένο βύσμα. Το βύσμα πρέπει να συνδεθεί σε μια πρίζα που είναι σωστά εγκατεστημένη και γειωμένη.

## Τεχνικές προδιαγραφές

### 1) Διαστάσεις/ Συνδέσεις



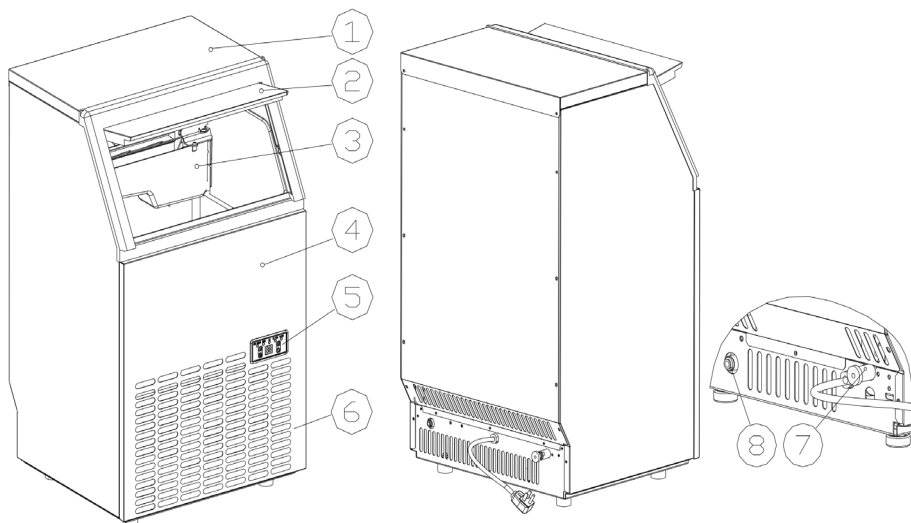
### 2) Κατάταξη

<b>Αριθμός προϊόντος</b>	<b>271575</b>	
Τάση και συχνότητα λειτουργίας	220-240V~ /50Hz	
Ονομαστική τιμή έντασης ρεύματος	2,2A	
Ισχύς εισόδου	280W	
Χρησιμοποιούμενο ψυκτικό μέσο και ποσότητα έγχυσης	R290 / 95g	
Κλιματική κλάση	SN-T	
Παράγοντας φυσικού αερίου	Κυκλοπεντάνιο	
Κατηγορία προστασίας	Κατηγορία I	
Συνθηκες λειτουργίας	Θερμ. Δωματιου	10°C ~ 38°C
	Θερμ. Παροχης νερου	5°C ~ 35°C
	Πιεση παροχης νερου	0,04 ~ 0,6 MPa
Καθαρό βάρος (περ.)	27κιλά	
Διαστάσεις	448x400x(H)798mm	

**Σημείωση:** Οι τεχνικές προδιαγραφές μπορούν να τροποποιηθούν χωρίς προηγούμενη ειδοποίηση.

## Γενικές πληροφορίες

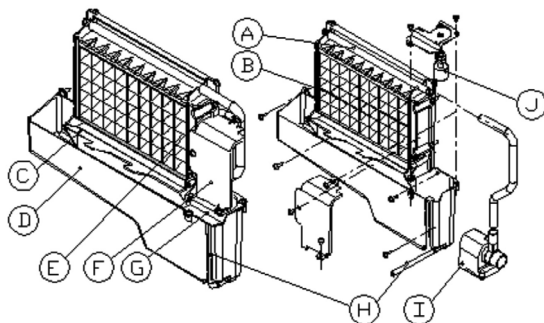
### 1) Δομή κύριας μονάδας



1. Πάνω καπάκι
2. Πόρτα
3. Παγομηχάνη και δοχείο νερού
4. Μπροστινή πλευρά
5. Πίνακας χειρισμού
6. Έξοδος αέρα: Πρέπει να διατηρείται η ελεύθερη κυκλοφορία αέρα. Θα εξέρχεται θερμός αέρας κατά τη λειτουργία της μονάδας.

7. Αποχέτευση νερού.
8. Παροχή νερού για την προμήθεια νερού.

Αξεσουάρ: Λευκός σωλήνας αποχέτευσης 2 μέτρων, σύνδεσμος για τη στρόφιγγα νερού, λευκός σωλήνας παροχής νερού μήκους 3 μέτρων ( $\varnothing$  6,35mm).

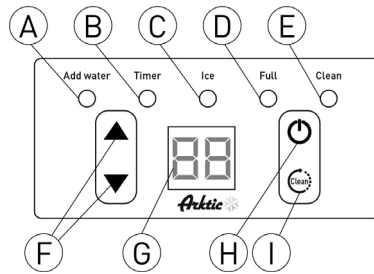


- A. Σωλήνας διαχωρισμού νερού: με εννέα μικρές τρύπες, το νερό θα εξέρχεται από αυτές τις μικρές τρύπες.
- B. Εξατμιστής (μονάδα παγομηχάνης)
- C. Πλάκα για τον εντοπισμό της στάθμης του πάγου.
- D. Δοχείο νερού.

- E. Σωλήνας παροχής νερού.
- F. Καπάκι στη δεξιά πλευρά του εξατμιστή.
- G. Πλάκα εγκατάστασης διακόπτη στάθμης νερού.
- H. Σωλήνας αποχέτευσης νερού του δοχείου νερού. I. Αντλία νερού.
- J. Διακόπτης εντοπισμού στάθμης νερού.

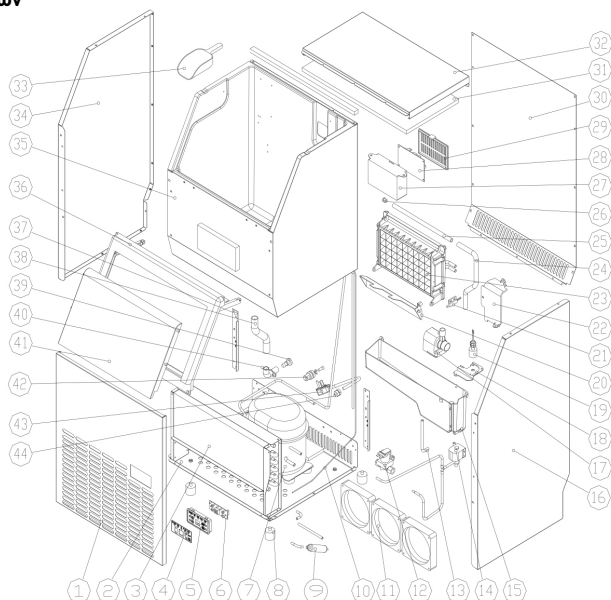


## 2) Πίνακας χειρισμού



- A. Ενδεικτική λυχνία «Add water» [Προσθήκη νερού]: Όταν αναβοσβήνει η λυχνία, σημαίνει ότι η παροχή νερού είναι πολύ αργή και όταν η λυχνία είναι αναμμένη συνεχώς σημαίνει απουσία νερού στη μονάδα.
- B. Ενδεικτική λυχνία «Timer» (Χρονόμετρο): Όταν αυτή η λυχνία είναι αναμμένη, σημαίνει ότι έχει ρυθμιστεί το ΧΡΟΝΟΜΕΤΡΟ. Το χρονόμετρο μπορεί να ενεργοποιηθεί ή να απενεργοποιηθεί με το πλήκτρο «clean/timer» [καθαρισμός/χρονόμετρο].
- C. Ενδεικτική λυχνία «Ice» [Πάγος]: Εάν η λυχνία είναι αναμμένη, σημαίνει ότι η μονάδα φτάνει πάγο, και αν η λυχνία αναβοσβήνει σημαίνει ότι η μονάδα είναι στη διαδικασία συλλογής του πάγου.
- D. Ενδεικτική λυχνία «Full» [Πλήρες]: Όταν η μονάδα είναι γεμάτη με παγάκια, η λυχνία θα είναι αναμμένη.
- E. Λυχνία «Clean»: Όταν ανάβει αυτή η λυχνία, ξεκινά ο καθαρισμός της αντλίας νερού. Όταν αναβοσβήνει η λυχνία, σταματά ο καθαρισμός της αντλίας νερού.
- F. Πλήκτρο ▲ & ▼ : Χρησιμοποιείται για την προσαρμογή του χρόνου διάρκειας της διαδικασίας δημιουργίας πάγου, η προκαθορισμένη ρύθμιση είναι μηδέν, προσθέτοντας ή αφαιρώντας 1 λεπτό με κάθε πάτημα του πλήκτρου ▲ ή ▼ . Χρησιμοποιείται επίσης για την προσαρμογή του χρόνου καθυστέρησης του χρονόμετρου, η προκαθορισμένη ρύθμιση είναι μηδέν, προσθέτοντας ή αφαιρώντας 1 ώρα με κάθε πάτημα του πλήκτρου ▲ ή ▼ .
- G. Οθόνη LED: Σε κανονική κατάσταση, ο αριθμός στο παράθυρο είναι πάντα ενεργός, εμφανίζει τη θερμοκρασία περιβάλλοντος, και αν ο αριθμός αναβοσβήνει, θα εμφανίζει το χρόνο που απομένει σε λεπτά κάθε διαδικασίας όπως ο κύκλος παραγωγής πάγου, πρόγραμμα αυτο-καθαρισμού κ.λπ.
- H. Πλήκτρο "On/Off" (On/Off): Όταν η μονάδα είναι εκτός λειτουργίας, πατήστε αυτό το πλήκτρο για να την ενεργοποιήσετε. Κατά τη διάρκεια του προγράμματος αυτοκαθαρισμού, ή την κανονική κατάσταση παραγωγής πάγου, πατήστε αυτό το πλήκτρο για να απενεργοποιήσετε τη μονάδα άμεσα. Επίσης αν η μονάδα έχει ρυθμιστεί με το χρονόμετρο, πατήστε το πλήκτρο για να ακυρώσετε τη ρύθμιση χρονόμετρου. Όταν η μονάδα φτάνει τα παγάκια, πατήστε αυτό το πλήκτρο για περισσότερα από 5 δευτερόλεπτα, η μονάδα θα μεταβεί στη διαδικασία συλλογής πάγου αναγκαστικά.
- I. "Clean" («Χρονοδιακόπτης καθαρισμού») κουμπί: Πιέστε γρήγορα αυτό το κουμπί μια φορά, για μπειτε στις ρυθμίσεις του προγράμματος Χρονοδιακόπτης, και πιέστε αυτό το κουμπί για πάνω από 5 δευτερόλεπτα όταν η συσκευή είναι κλειστή για να μπειτε στο πρόγραμμα Καθαρισμού.

## Λίστα ανταλλακτικών



Αρ.	Ανταλλακτικό Όνομα	Ποσ.	Σημειώσεις	Αρ.	Ανταλλακτικό Όνομα	Ποσ.	Σημειώσεις
1	Μπροστινή πλευρά	1		24	Σωλήνας παροχής νερού	1	
2	Πλάκα βάσης	1		25	Σωλήνας διαχωρισμού νερού, με εννέα τρύπες	1	
3	Συμπυκνωτής	1		26	Καπάκι του σωλήνα διαχωρισμού νερού	1	
4	Πλακέτα πληροφόρησης πίνακα χειρισμού	1		27	Ηλεκτρικό κουτί PCB	1	
5	Κουτί PCB συστήματος χειρισμού	1		28	Κύρια PCB ελέγχου	1	
6	PCB πίνακα χειρισμού	1		29	Κάλυμμα της κύριας PCB ελέγχου	1	
7	Συμπιεστής	1		30	Πίσω πλευρά	1	
8	Προσαρμόσιμο πόδι	4		31	Μονωτικό αφουγγάρι του πάνω καπακιού	1	
9	Στεγνό φίλτρο	1		32	Πάνω καπάκι	1	
10	Τριχοειδές	1		33	Σέσουλα πάγου	1	
11	Ανεμιστήρας DC	3		34	Πλάκα αριστερής πλευράς	1	
12	Βαλβίδα παροχής νερού	1		35	Άφρισμα Εσωτερικός χώρος & δοχείο αποθήκευσης πάγου	1	
13	Σωλήνας αποστράγγισης νερού του δοχείου νερού	1		36	Πλαίσιο πόρτας	1	
14	Συλλογή πάγου Ηλεκτρομαγνητική βαλβίδα	1		37	Πλάκα ενίσχυσης ισχύος	1	
15	Δοχείο νερού	1		38	Σωλήνας εξόδου νερού του εσωτερικού χώρου	1	
16	Πλάκα δεξιάς πλευράς	1		39	Καπάκι αποστράγγισης νερού	1	
17	Αντλία κυκλοφορίας νερού	1		40	Θέση αποστράγγισης νερού	1	
18	Καπάκι του δοχείου νερού	1		41	Πόρτα	2	
19	Διακόπτης εντοπισμού στάθμης νερού	1		42	Θέση παροχής νερού	1	
20	Πλάκα για τον εντοπισμό της στάθμης του πάγου	1		43	Καλώδιο τροφοδοσίας	1	
21	Διακόπτης μαγνητικού ελέγχου	4		44	Κλιπ του καλωδίου ηλεκτρικού ρεύματος	1	
22	Εξαρτητής και το πλαίσιο του	1		45	Κύκλωμα	1	
23	Καπάκι στη δεξιά πλευρά του εξαρτητή	1					

## Αποσυσκευασία της παγομηχανής σας

1. Αφαιρείτε την εξωτερική και την εσωτερική συσκευασία. Ελέγξτε αν είναι μέσα ή όχι όλα τα αξεσουάρ συμπεριλαμβανομένων του εγχειριδίου χρήσης, της σέσουλας πάγου, του λευκού σωλήνα εισόδου νερού, του γρήγορου συνδέσμου 4 δρόμων σε 2 δρόμους και η σωλήνας αποχέτευσης νερού κ.λπ. Εάν λείπουν εξαρτήματα, επικοινωνήστε με το τμήμα εξυπηρέτησης πελατών.
2. Φυλάξτε τη συσκευασία εάν σκοπεύετε να αποθηκεύσετε τη συσκευή σας στο μέλλον.
3. Αφαιρέστε τις ταινίες για να φτιάξετε την πόρτα και τον εσωτερικό καταψύκτη, τη σέσουλα πάγου κ.λπ. Καθαρίστε τον εσωτερικό καταψύκτη και τη σέσουλα πάγου με βρεγμένο πανί.
4. Τοποθετήστε την παγομηχανή σε ευθύ και επίπεδο

## Απαιτήσεις θέσης εγκατάστασης

- α) Διατηρείτε την κατάλληλη θερμοκρασία δωματίου και τη θερμοκρασία εισόδου νερού σύμφωνα με τον ως άνω πίνακα προδιαγραφών. Αλλιώς θα επηρεαστεί η απόδοση της παραγωγής πάγου.
- β) Η μονάδα αυτή δε θα πρέπει να είναι τοποθετημένη κοντά σε πηγή θερμότητας.
- γ) Η μονάδα αυτή θα πρέπει να τοποθετείται σε στα-

δάπεδο χωρίς απευθείας ηλιακή ακτινοβολία και άλλες πηγές θερμότητας (δηλαδή: φούρνο, κλιβανο, θερμάστρα). Βεβαιωθείτε ότι υπάρχει κενό τουλάχιστον 20cm μεταξύ της εξόδου αέρα και των εμποδίων και τουλάχιστον 5 cm μεταξύ της δεξιάς/αριστερής πλευράς και του τοίχου.

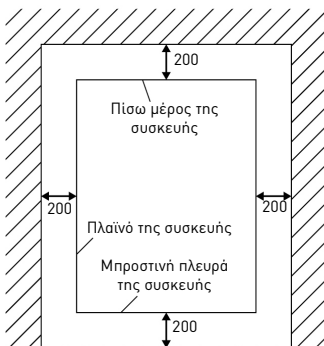
5. Αφήστε 4 ώρες για το ψυκτικό υγρό να κατασταλάξει πριν συνδέσετε στην πρίζα την παγομηχανή αν η μονάδα ενδεχομένως ανατραπεί κατά την αποστολή ή μεταφορά.
6. Η συσκευή πρέπει να τοποθετηθεί κατά τέτοιο τρόπο ώστε το βύσμα να είναι προσβάσιμο.

**ΠΡΟΣΟΧΗ:** Χρησιμοποιείτε μόνο πόσιμο νερό για να φτιάξετε πάγο.

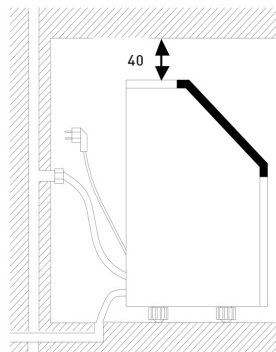
θερή & επίπεδη βάση στο πάνω μέρος κανονικού ντουλαπιού.

- δ) Πρέπει να υπάρχει απόσταση τουλάχιστον 200 mm γύρω από τη συσκευή και 40 mm από το επάνω μέρος για να υπάρχει καλή κυκλοφορία του αέρα.
- ε) Μην τοποθετείτε τίποτα στο πάνω μέρος της παγομηχανής.

Κενά εγκατάστασης κάτωψη  
(1:10) (mm)



Πλαϊνή όψη (mm)



Όταν τοποθετείτε την παγομηχανή κάτω από το ντουλάπι να τηρείτε τις συνιστώμενες διαστάσεις κενού που φαίνονται παραπάνω. Τοποθετείτε τις παροχές ρεύματος και νερού και τα εξαρτήματα αποχέτευσης στις συνιστώμενες θέσεις όπως φαίνονται. Επιλέγεται μια καλά αεριζόμενη περιοχή με θερμοκρασίες άνω των 10°C και κάτω των 32°C. Η μονάδα αυτή ΠΡΕΠΕΙ να είναι τοποθετημένη σε μία περιοχή προστατευμέ-

νη από στοιχεία όπως ο αέρας, η βροχή, ο ψεκασμός και οι σταγόνες νερού.

Η παγομηχανή απαιτεί συνεχή προμήθεια νερού με πίεση 1-8 Bar όπως απαιτείται στον ως άνω πίνακα προδιαγραφών. Η θερμοκρασία της τροφοδοσίας νερού στην παγομηχανή θα πρέπει να βρίσκεται μεταξύ των 5°C και 25°C για σωστή λειτουργία.

## Ηλεκτρικές απαιτήσεις και συνδέσεις

**ΠΡΟΣΟΧΗ:** Η ΜΟΝΑΔΑ ΑΥΤΗ ΠΡΕΠΕΙ ΝΑ ΕΙΝΑΙ ΓΕΙΩΜΕΝΗ.

- Πριν μετακινήσετε την παγομηχανή σας στην τελική της θέση, είναι σημαντικό να βεβαιωθείτε ότι έχετε τη σωστή ηλεκτρική σύνδεση.
- Συνιστάται να διατίθεται χωριστό κύκλωμα, που θα εξυπηρετεί μόνο τη δική σας παγομηχανή. Χρησι-

μοποιείτε δοχεία τα οποία δε μπορούν να απενεργοποιηθούν από έναν διακόπτη ή αλυσίδα. Αν θα πρέπει να αντικατασταθεί το καλώδιο ή η πρίζα, αυτό θα πρέπει να πραγματοποιηθεί από έναν καταρτισμένο μηχανικό του σέρβις.

- Η συσκευή αυτή απαιτεί τυπικά 220-240 Volt, ηλεκτρική πρίζα με καλά μέτρα γείωσης.

## Καθαρισμός της παγομηχανής πριν την πρώτη χρήση

1. Ανοίγετε την πόρτα.
2. Καθαρίστε τη συσκευή με διάλυμα απορρυπαντικού, χλιαρό νερό και ένα μαλακό πανί.
3. Καθαρίζετε επανειλημμένα το νερό που ακουμπά στα εσωτερικά μέρη, μπορείτε να τραβήξετε το σωλήνα αποχέτευσης νερού από το δοχείο νερού με την ένδειξη «H» στην παραπάνω εικόνα για να αποστραγγίσετε το καθαρισμένο νερό στο δοχείο νερού, στη συνέχεια καθαρίζετε τον εσωτερικό χώρο αποθήκευσης πάγου. Μετά από αυτό αποστραγγίζετε όλο το νερό καθαρισμού από την απο-

χέτευση νερού που είναι τοποθετημένη στο πίσω μέρος της μονάδας («7» στην παραπάνω εικόνα). Επανατοποθετήστε το σωλήνα αποχέτευσης νερού και το καπάκι της αποχέτευσης νερού αλλιώς η μονάδα δε θα λειτουργήσει σωστά. Απορρίψτε τα πρώτα παγάκια μετά τον καθαρισμό.

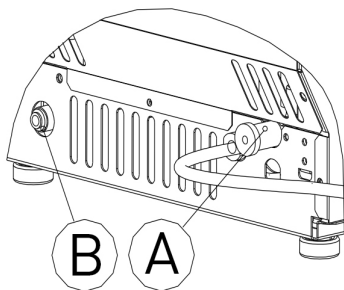
4. Το εξωτερικό της παγομηχανής θα πρέπει να καθαρίζεται τακτικά με ένα ήπιο διάλυμα καθαριστικού και χλιαρό νερό.
5. Στεγνώνετε το εσωτερικό και το εξωτερικό με ένα καθαρό μαλακό πανί.

## Σύνδεση νερού για την παγομηχανή σας

**ΣΗΜΑΝΤΙΚΟ:** Βεβαιωθείτε ότι χρησιμοποιείτε τα νέα σετ σωλήνων που προμηθεύονται με τη συσκευή. Συνδέστε το σωλήνα παροχής νερού στη μονάδα

Βήμα 1: Πρώτα αφαιρείτε το κλιπ στην παροχή νερού (επισημαίνεται στην παρακάτω εικόνα «B») που βρίσκεται στο πίσω μέρος της μονάδας. Αφαιρείτε το βύσμα κατά της σκόνης.

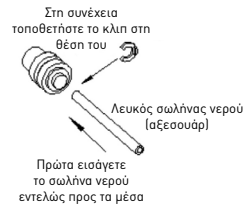
Βήμα 2: Τοποθετήστε το ένα άκρο του λευκού σωλήνα νερού στην παροχή νερού και σπρώξτε εντελώς προς τα μέσα και τοποθετήστε το κλιπ στη θέση του τότε ολοκληρώνεται η σύνδεση του σωλήνα νερού.



Βήμα 1: Αφαιρείτε το προστατευτικό σκόνης



Βήμα 2: Εισάγετε το σωλήνα νερού



## Σύνδεση του σωλήνα αποστράγγισης νερού

Βγάξτε το καπάκι αποστράγγισης νερού σε μαύρο χρώμα (επισημαίνεται με «A» στην παραπάνω εικόνα), στη συνέχεια συνδέετε το λευκό σωλήνα αποστράγγισης που

περιλαμβάνεται στο αξεσουάρ, συνδέστε το άλλο άκρο αυτής της αποστράγγισης στον κύριο σωλήνα αποστράγγισης νερού.

## Συνδέστε τον σωλήνα νερού στη στρόφιγγα νερού του κύριου συστήματος παροχής νερού

Ο παρεχόμενος γρήγορος σύνδεσμος νερού πρέπει να βιδωθεί σε μία στρόφιγγα. Αφαιρέστε το κλιπ από τον γρήγορο σύνδεσμο νερού, τοποθετήστε το άλλο άκρο του σωλήνα νερού εντελώς στη θέση του γρή-

γορου συνδέσμου, τοποθετήστε το κλιπ στη θέση του.

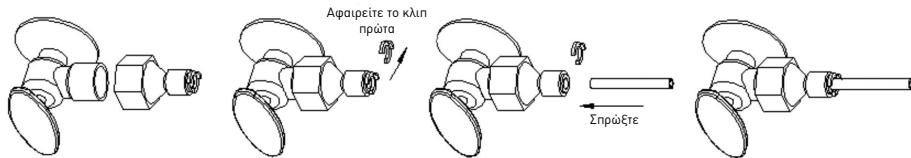
**Σημαντικό:** Η πίεση νερού του κύριου συστήματος παροχής νερού πρέπει να είναι 0,04-05 MPa at

Βήμα 1: Γρήγορος σύνδεσμος και η στρόφιγγα νερού

Βήμα 2: Βιδώστε τον γρήγορο σύνδεσμο στη στρόφιγγα νερού στο σπείρωμα και αφαιρέστε το κλιπ

Βήμα 3: Εισάγετε το σωλήνα νερού εντελώς

Βήμα 4: Εισάγετε πίσω το κλιπ



## Λειτουργία της διαδικασίας παραγωγής πάγου

1. Αφού ολοκληρωθεί η σύνδεση του σωλήνα νερού, βάζετε τη συσκευή στην πρίζα. Στη συνέχεια πιέστε το πλήκτρο **❶** στον πίνακα χειρισμού για να ξεκινήσει ο κύκλος παραγωγής πάγου και ταυτόχρονα η λυχνία "Ice" θα είναι αναμμένη. Η ψηφιακή οθόνη θα εμφανίζει κανονικά τη θερμοκρασία περιβάλλοντος. Ο συμπιεστής, το μοτέρ ανεμιστήρα και η αντλία νερού θα λειτουργούν κατά τη διαδικασία παραγωγής πάγου.
2. Κάθε κύκλος παραγωγής πάγου θα διαρκεί περίπου 11 έως 30 λεπτά, ανάλογα με τη θερμοκρασία περιβάλλοντος και τη θερμοκρασία νερού.
3. Μόλις τελειώσει η διαδικασία παραγωγής πάγου η συσκευή θα μεταβεί στη διαδικασία συλλογής πάγου. Ταυτόχρονα το σύστημα θα εντοπίσει τη στάθμη νερού, αν η στάθμη νερού είναι χαμηλότερη από την απαιτούμενη η λυχνία «Add water» ξεκινά να αναβοσβήνει, ανοίξτε τη βαλβίδα εισόδου νερού για να προμηθεύσετε έξτρα νερό στο δοχείο νερού, όταν η διαδικασία παροχής νερού τελειώ-

σει τότε η λυχνία «Add water» σβήνει και πάλι.

4. Όταν η ένδειξη «Full» ενεργοποιηθεί, τότε η μονάδα σταματά να λειτουργεί. Αν αφαιρέσετε αρκετά παγάκια, η μονάδα θα ξεκινήσει να λειτουργεί και πάλι μετά από περίοδο 3 λεπτών.
5. Κατά τη διαδικασία παραγωγής πάγου πατήστε το πλήκτρο **▲** ή **▼** για να ρυθμίσετε το χρόνο διάρκειας της διαδικασίας παραγωγής πάγου, αυτό θα αλλάξει την πυκνότητα από τα παγάκια. Η προκαθορισμένη ρύθμιση είναι μηδέν, θα προστίθεται ή θα αφαιρείται 1 λεπτό στη διαδικασία πατώντας το πλήκτρο **▲** ή **▼**. 5 δευτερόλεπτα μετά το τελευταίο πάτημα προγραμματίζονται οι νέες ρυθμίσεις.
6. Η κακή ποιότητα νερού θα προκαλέσει καλή ποιότητα πάγου και θα μειώσει τη διαφάνεια του πάγου.

**ΣΗΜΕΙΩΣΗ:** Τα παγάκια που έχουν δημιουργηθεί είναι κολλημένα μεταξύ τους και χρειάζεται να τα σπάσετε.

## Αυτόματο πρόγραμμα αυτοκαθαρισμού


Εκκίνηση του προγράμματος αυτοκαθαρισμού: Μετά τη σύνδεση ολόκληρου του σωλήνα νερού, συνδέετε την πρίζα πατάτε το πλήκτρο **❷** για περισσότερα από 5 δευτερόλεπτα, αυτό ξεκινά το πρόγραμμα καθαρισμού. Η λυχνία «Clean» θα είναι ενεργή κατά τη διάρκεια του καθαρισμού, η ψηφιακή οθόνη θα εμφανίζει τον υπόλοιπο χρόνο. Το πρόγραμμα αυτοκαθαρισμού διαρκεί 30 λεπτά.

Ακύρωση του προγράμματος αυτοκαθαρισμού: Διαρκεί περίπου 30 λεπτά για την ολοκλήρωση ενός προγράμματος αυτοκαθαρισμού. Όταν το πρόγραμμα τελειώσει το σύστημα θα μπει αυτόματα σε κατάσταση εκτός λειτουργίας. Και επίσης μπορείτε να πατήσετε το πλήκτρο **❶** στον πίνακα χειρισμού για να ακυρώσετε το πρόγραμμα αυτοκαθαρισμού αναγκαστικά.

GR

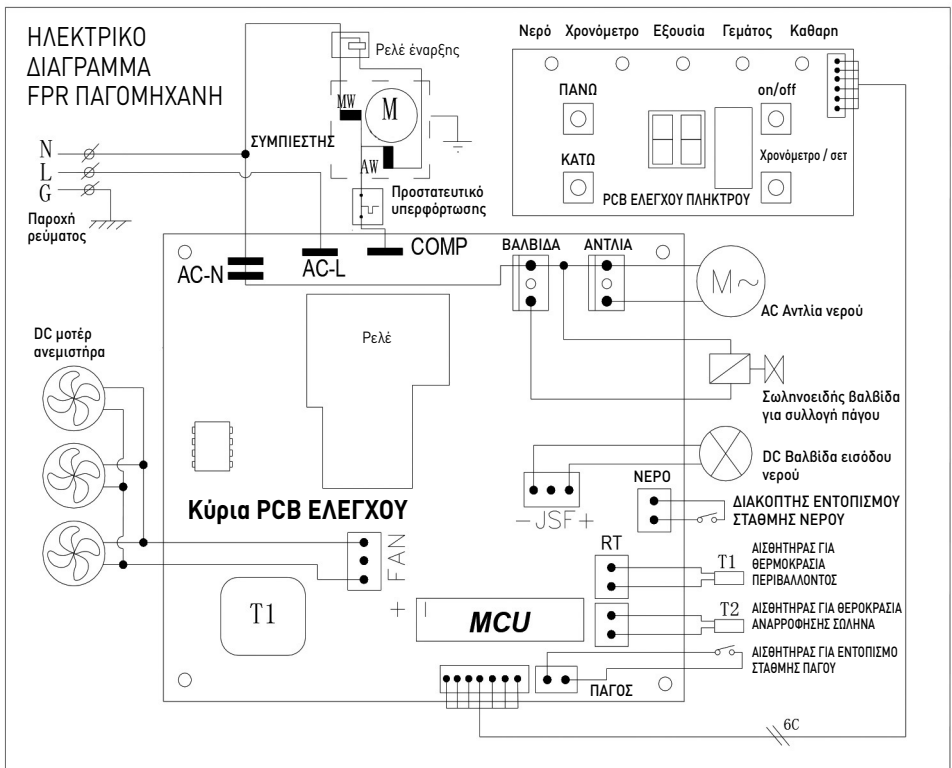
## Ρύθμιση χρονομέτρου

Πως ρυθμίζεται το χρονομέτρο: Όταν η συσκευή είναι εκτός λειτουργίας, πατήστε το πλήκτρο «Timer/Clean» για να ρυθμίσετε το χρόνο που θα πρέπει η συσκευή να ενεργοποιηθεί. Η λυχνία «Timer» θα ενεργοποιηθεί ο αριθμός στην ψηφιακή οθόνη θα αναβοσβήνει για να δείξει σε πόσες ώρες η συσκευή θα ενεργοποιηθεί. Κατά το αναβοσβήσιμο του αριθμού, πατήστε το πλήκτρο ▲, ▼ για να προσθέσετε ή να αφαιρέσετε ώρες, η προκαθορισμένη ρύθμιση είναι μηδέν. Πέντε δευτερόλεπτα μετά τη ρύθμιση θα προγραμματιστεί η επιθυμητή σας ρύθμιση.

Πως να ακυρώσετε το χρονομέτρο - ON: Πατήστε το πλήκτρο «Timer/Timer», ο αριθμός στο ψηφιακό παράθυρο θα αναβοσβήνει για να εμφανίσει τον τρέχοντα χρόνο καθυστέρησης του χρονομέτρου σας ON, και πατήστε πάλι το πλήκτρο για να ακυρώσετε τη ρύθμιση. Το πάτημα του πλήκτρου  θα ακυρώσει επίσης το χρονομέτρο.

Πως να ακυρώσετε το χρονομέτρο - OFF: Αυτή είναι η ίδια διαδικασία όπως για την ακύρωση του χρονομέτρου ON.

## Διάγραμμα συνδεσμολογίας



GR

## Κανονικοί ήχοι

Η νέα σας παγομηχανή μπορεί να κάνει θορύβους τους οποίους δε γνωρίζετε. Οι περισσότεροι από τους νέους ήχους είναι κανονικοί. Σκληρές επιφάνειες όπως το δάπεδο, οι τοίχοι και τα ντουλάπια μπορεί να κάνουν τους ήχους να φαίνονται πιο δυνατοί απ' ό τι είναι στην πραγματικότητα. Παρακάτω περιγράφονται τα είδη των ήχων που θα μπορούσαν να είναι καινούργιοι σε εσάς και τι μπορείτε να κάνετε με αυτούς.

- Θα ακούσετε ένα θρόισμα όταν ανοίγει η βαλβίδα για να γεμίσει το δοχείο νερού για κάθε κύκλο.
- Τριγμοί μπορεί να προέρχονται από τη ροή του ψυκτικού υγρού ή τη γραμμή νερού.
- Ο συμπιεστής υψηλής απόδοσης μπορεί να κάνει έναν ήχο τριβής ή έναν διαπεραστικό ήχο.
- Το νερό που θα ρέει από το δοχείο νερού στην πλάκα εξατμιστή μπορεί να κάνει έναν ήχο παφλασμού.

- Το νερό που θα ρέει από τον εξατμιστή στο δοχείο νερού μπορεί να κάνει έναν ήχο παφλασμού.
- Όταν τελειώνει κάθε κύκλος, μπορείτε να ακούσετε έναν γαργαριστό ήχο λόγω του ψυκτικού υγρού που ρέει στην παγομηχανή σας.
- Μπορεί να ακούσετε τον αέρα που εξαναγκάζεται να περάσει μέσω του συμπυκνωτή από τον ανεμιστήρα συμπυκνωτή. Κατά τη διάρκεια του κύκλου συλλογής, μπορεί να ακούσετε ήχο από τα παγάκια να πέφτουν στο δοχείο αποθήκευσης πάγου.
- Όταν ξεκινήσετε για πρώτη φορά την παγομηχανή μπορεί να ακούσετε νερό να τρέχει συνεχόμενα. Η παγομηχανή έχει προγραμματιστεί να τρέχει έναν κύκλο ξεβγάλματος πριν ξεκινήσει να φτιάχνει πάγο.

## Προετοιμασία της παγομηχανής για μακριά αποθήκευση

Αν η παγομηχανή δε χρησιμοποιηθεί για μεγάλο χρονικό διάστημα ή πρόκειται να μετακινηθεί σε άλλο μέρος θα είναι απαραίτητο να αποστραγγίσει όλο το νερό που βρίσκεται στο σύστημα.

1. Απενεργοποιήστε τη μονάδα και βγάλτε το καλώδιο από την πρίζα.
2. Αποκόψτε την παροχή νερού στην κύρια παροχή νερού.
3. Αποσυνδέστε το σωλήνα παροχής νερού από τη βαλβίδα εισόδου νερού.
4. Τραβήξτε το σωλήνα αποστράγγισης νερού από το δοχείο νερού (Η στην απεικόνιση) για την αποστράγγιση του νερού στο δοχείο νερού. Όταν έχει αποστραγγιστεί όλο το νερό, επανατοποθετήστε την αποστράγγιση νερού.
5. Αποστραγγίστε όλο το νερό καθαρισμού από την αποχέτευση νερού που είναι τοποθετημένη στο πίσω μέρος της μονάδας (7 στην απεικόνιση).

6. Αποσυνδέστε το σωλήνα αποστράγγισης νερού στον κύριο σωλήνα αποστράγγισης ή στην αποστράγγιση δαπέδου, τοποθετήστε και πάλι το καπάκι αποστράγγισης.
7. Αφήστε την πόρτα ανοιχτή για να επιτρέψετε την κυκλοφορία του αέρα και να εμποδίσετε τη δημιουργία μούχλας και μυκήτων.
8. Αφήνετε το σωλήνα παροχής νερού και το καλώδιο παροχής ρεύματος αποσυνδεδεμένα μέχρι την επόμενη χρήση.
9. Στεγνώνετε το εσωτερικό και σκουπίζετε το εξωτερικό της μονάδας.
10. Βάζετε μία πλαστική σακούλα στη μονάδα για να προστατευτεί από τη σκόνη και τη βρωμιά.

## Καθαρισμός & συντήρηση

**ΠΡΟΣΟΧΗ:** Μην χρησιμοποιείτε τυχόν οινόπνευμα ή ατμό για τον καθαρισμό την εξυγίανση της παγομηχανής. Αυτό μπορεί να προκαλέσει ρωγμές στα πλαστικά μέρη. Ζητήστε από έναν εκπαιδευμένο τεχνικό του σέρβις να ελέγξει και να καθαρίσει το συμπυκνωτή τουλάχιστον μία φορά το χρόνο, προκειμένου να αφήσουν τη μονάδα να λειτουργήσει σωστά. Αυτή η συσκευή πρέπει να καθαριστεί χρησιμοποιώντας μια ριπή νερού.

**ΠΡΟΣΟΧΗ:** Αν η παγομηχανή δε χρησιμοποιηθεί για μεγάλο χρονικό διάστημα, πριν την επόμενη χρήση θα πρέπει να καθαριστεί διεξοδικά. Ακολουθήστε προσεκτικά τυχόν οδηγίες που παρέχονται για τον καθαρισμό ή τη χρήση διαλύματος απολύμανσης. Μην αφήνετε οποιοδήποτε διάλυμα μέσα στην παγομηχανή μετά τον καθαρισμό.

## Εξωτερικός καθαρισμός

Η πόρτα και ο καταψύκτης μπορούν να καθαριστούν με ένα ήπιο καθαριστικό και χλιαρό νερό. Μην χρησιμοποιείτε καθαριστικά με βάση διαλύματα ή επιθετικά καθαριστικά. Χρησιμοποιείστε ένα μαλακό σφουγγάρι και καθαρίστε με καθαρό νερό. Στεγνώστε με μία μαλακή καθαρή πετσέτα για να εμποδίσετε τη δημιουργία λεκέδων από νερό.

## Εσωτερικός καθαρισμός

### Για το δοχείο αποθήκευσης πάγου

Το δοχείο αποθήκευσης πάγου θα πρέπει να απολυμαίνεται περιστασιακά. Καθαρίστε το δοχείο πριν να χρησιμοποιήσετε τη παγομηχανή για πρώτη φορά και όταν την ξαναχρησιμοποιήσετε μετά από εκτεταμένο χρονικό διάστημα. Είναι συνήθως βολικό να απολυμαίνεται το δοχείο μετά το εξωτερικό, το δοχείο αποθήκευσης πρέπει να είναι άδειο.

1. Αποσυνδέστε τη μονάδα από το ρεύμα.
2. Ανοίξτε την πόρτα και με ένα καθαρό πανί σκουπίστε μέχρι κάτω το εσωτερικό με ένα διάλυμα απολύμανσης αποτελούμενο από 28g οικιακό απολυμαντικό ή χλωρίνη και 7,5L ζεστό νερό.

Ο περιοδικός καθαρισμός και η σωστή συντήρηση θα διασφαλίσει την αποτελεσματικότητα, υψηλή απόδοση, υγιεινή και μακρά διάρκεια ζωής. Τα χρονοδιαστήματα συντήρησης που παρατίθενται βασίζονται σε κανονικές συνθήκες. Ενδεχομένως να θέλετε να μειώσετε τα χρονοδιαστήματα, αν έχετε κατοικίδια ή η μονάδα χρησιμοποιείται σε εξωτερικούς χώρους ή υπάρχουν άλλες ειδικές συνθήκες.

Τι δε θα έπρεπε να γίνει: Ποτέ μη φυλάτε κάτι στο δοχείο αποθήκευσης πάγου το οποίο δεν είναι πάγος: αντικείμενα όπως τα μπουκάλια μπύρας και κρασιού όχι μόνο δεν είναι υγιεινά αλλά επίσης οι ετικέτες τους μπορεί να ξεκολλήσουν και να προκαλέσουν πρόβλημα στο σωλήνα αποστράγγισης.

**ΠΡΟΣΟΧΗ:** Τα ανοξειδωτα μοντέλα που εκτίθενται σε αέριο χλώριο και υγρασία, όπως είναι σε περιοχές με σπα ή πισίνες μπορεί να παρουσιάσουν αλλοίωση του χρώματος του ανοξειδωτού. Η αλλοίωση του χρώματος από αέριο χλώριο είναι φυσιολογική.

3. Ξεπλύνετε διεξοδικά με καθαρό νερό. Το βρώμικο νερό θα αποστραγγιστεί μέσω του σωλήνα αποστράγγισης.
4. Συνδέστε τη μονάδα και πάλι στο ρεύμα. Η σέσουλα πάγου θα πρέπει να πλένεται τακτικά. Την πλένετε όπως κάθε άλλο δοχείο φαγητού.

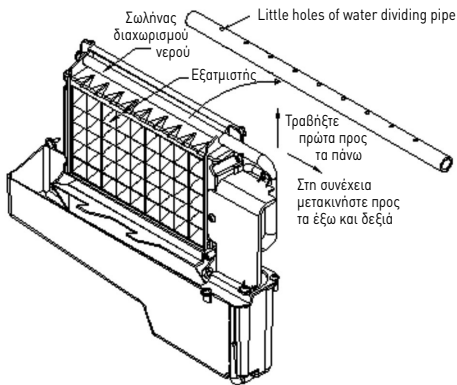
**ΠΡΟΣΟΧΗ:** Μην χρησιμοποιείτε καθαριστικά με βάση διαλύματα ή επιθετικά καθαριστικά. Αυτά μπορεί να προσδώσουν γεύση στα παγάκια.



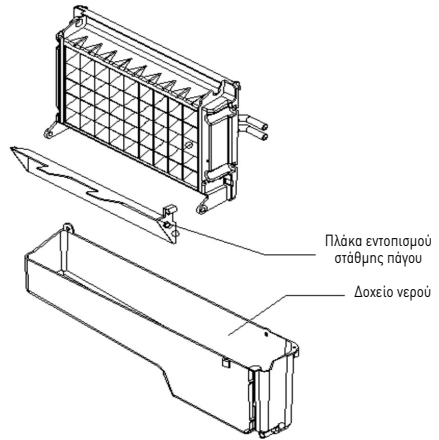
## Καθαρισμός των εξαρτημάτων παραγωγής πάγου

Κατά τη χρήση, θα πρέπει να πλένετε περιοδικά αυτό το βασικό σύστημα από την παγομηχανή σας.

1. Επαναλάβετε το παραπάνω βήμα για να καθαρίσετε το δοχείο νερού και άλλα εσωτερικά μέρη της μονάδας.
2. Καθαρίστε το σωλήνα διαχωρισμού νερού στον εξατμιστή επιπλέον, απεγκαταστήστε αυτό το εξάρτημα και καθαρίστε κάθε μία τρυπίτσα που εμφανίζεται στην ακόλουθη απεικόνιση, βεβαιωθείτε ότι κάθε τρύπα δεν είναι βουλωμένη, στη συνέχεια τοποθετήστε το στην αρχική του θέση.
3. Αν υπάρχουν παγάκια στην επιφάνεια του εξατμιστή αλλά δεν μπορούν να πέσουν, μην τα αφαιρέσετε με βία απλά πατήστε το πλήκτρο "O" για περισσότερο από 5 δευτερόλεπτα, η μονάδα θα εισέλθει στη διαδικασία τήξης του πάγου. Μετά από λίγο τα μεγάλα παγάκια θα πέσουν. Απενεργοποιήστε τη συσκευή και βγάλτε το καλώδιο από την πρίζα για να καθαρίσετε την επιφάνεια από το εξατμιστή.



4. Για το δοχείο νερού και την πλάκα εντοπισμού της στάθμης του πάγου.



Επίσης το δοχείο νερού και η πλάκα εντοπισμού της στάθμης του πάγου είναι πολύ σημαντικά για να διατηρούνται τα παγάκια υγιεινά. Βάλτε το μείγμα ουδέτερου καθαριστικού & νερού σε έναν ψεκαστήρα καθαρού νερού και στη συνέχεια ψεκάστε σε όλη την εσωτερική επιφάνεια του δοχείου και της πλάκας εντοπισμού πάγου. Καθαρίστε αυτές τις επιφάνειες κατά το δυνατό περισσότερο με ένα καθαρό πανί. Και στη συνέχεια ψεκάστε τις επιφάνειες με καθαρό νερό στεγνώνοντας με ένα στεγνό καθαρό πανί. Στη συνέχεια αποστραγγίστε το καθαρισμένο νερό μέσα στο δοχείο νερού τραβώντας προς τα έξω το σωλήνα αποστράγγισης νερού από το δοχείο νερού που επισημαίνεται (H στην απεικόνιση). Όταν όλο το καθαρισμένο νερό αποστραγγιστεί τοποθετήστε εκ νέου στη θέση του τον σωλήνα αποστράγγισης νερού του δοχείου νερού.

**Πρόταση:** Αφού καθαρίσετε τα εσωτερικά μέρη απορρίψτε την πρώτη δέσμη πάγου.

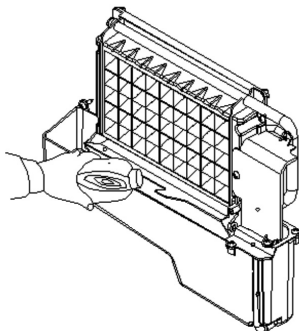
## Αφαίρεση αλάτων από τη συσκευή

Τα άλατα που αφαιρούνται από το νερό κατά τον κύκλο ψύξης τελικά θα δημιουργήσουν σκληρές εναποθέσεις αλάτων στο σύστημα νερού. Ο τακτικός καθαρισμός του συστήματος βοηθά να αφαιρεθούν οι εναποθέσεις αλάτων. Πόσο συχνά χρειάζεται να καθαρίζετε το σύστημα εξαρτάται στο πόσο σκληρό είναι το νερό σας. Με σκληρό νερό 4 έως 5 κόκκοι/λίτρο, μπορεί να χρειαστεί να καθαρίσετε το σύστημα τόσο συχνά όσο και κάθε έξι μήνες.

1. Απενεργοποιήστε την παγομηχανή. Διατηρήστε την παγομηχανή συνδεδεμένη στην παροχή νερού και στο σωλήνα αποστράγγισης. Όμως κλείστε τη στρόφιγγα νερού της κύριας παροχής νερού.
2. Ανοίξτε την πόρτα και με τη βοήθεια της σέσουλας βγάλτε όλα τα παγάκια. Είτε τα απορρίψετε ή τα φυλάτε σε έναν καταψύκτη ή ψύκτη.
3. Παρασκευάστε το καθαριστικό διαλύματος. Αναμίξτε το ασφαλές καθαριστικό παγομηχανής Nu-Calgon με νερό για να φτιάξετε καθαριστικό διάλυμα.

**ΠΡΟΣΟΧΗ:** Να φοράτε πλαστικά γάντια και προστατευτικά γυαλιά όταν χειρίζεστε καθαριστικό παγομηχανής. Χρησιμοποιήστε ένα πλαστικό ή ανοξειδωτό δοχείο με περισσότερα από 4 λίτρα χωρητικότητας, αναμίξτε 300 ml ασφαλές καθαριστικό παγομηχανής Nu-Calgon Nickle με 2,8 λίτρα ζεστό νερό γύρω στους 50-60°C. Στη συνέχεια τα χωρίζετε σε δύο ίσα μέρη μέσα σε 2 φλιτζάνια. Είναι καλύτερα να διατηρήσετε τη θερμοκρασία κάθε φλιτζανιού του καθαριστικού διαλύματος.

4. Ελέγξτε για να σιγουρευτείτε ότι ο σωλήνας αποστράγγισης νερού του δοχείου νερού έχει τοποθετηθεί σωστά στην θυρίδα του τοιχώματος του δοχείου. Στη συνέχεια ρίξτε ένα φλιτζάνι καθαριστικού διαλύματος παγομηχανής Nickel-Safe στο δοχείο νερού. Περιμένετε περίπου για 5 λεπτά.



5. Ενεργοποιήστε την ισχύ της παγομηχανής, της συνέχειας πατήστε. Το πλήκτρο "Clean" στον πίνακα χειρισμού για περισσότερα από 5 δευτερόλεπτα για να εισέλθετε στο πρόγραμμα αυτοκαθαρισμού. Κατά τη διαδικασία αυτή η λυχνία «Clean» θα είναι πάντα ενεργοποιημένη κατά τη διάρκεια αυτής της περιόδου και το ψηφιακό παράθυρο θα δείχνει τον υπόλοιπο χρόνο.

6. Μετά το πρόγραμμα αυτοκαθαρισμού, τραβήξτε προς τα έξω το σωλήνα αποστράγγισης του δοχείου νερού, αποστραγγίστε το διάλυμα καθαρισμού προς το κατώτερο δοχείο αποθήκευσης πάγου. Ανακινήστε ελαφρώς τη μονάδα για να διαφύγει όλο το καθαριστικό διάλυμα εντελώς. Στη συνέχεια τοποθετήστε το σωλήνα αποστράγγισης στη θυρίδα του δοχείου νερού.

7. Επαναλάβετε τα βήματα 4-6 για να καθαρίσετε το σύστημα διάταξης παραγωγής πάγου και πάλι.

**ΠΡΟΣΟΧΗ:** Το καθαριστικό παγομηχανής περιέχει οξέα. ΜΗΝ το χρησιμοποιείτε ή το αναμιγνύετε με άλλα καθαριστικά προϊόντα με βάση διαλύματα. Χρησιμοποιείτε πλαστικά γάντια για να προστατέψετε τα χέρια σας. Διαβάστε προσεκτικά τις οδηγίες ασφαλείας υλικού στο δοχείο του καθαριστικού παγομηχανής.

8. Ανοίγεται τη στρόφιγγα νερού της κύριας παροχής νερού και αφήνετε το νερό να διαφύγει στη μονάδα. Πατήστε πάλι το πλήκτρο "Clean" στον πίνακα χειρισμού για περισσότερα από 5 δευτερόλεπτα για να εισέλθετε στο πρόγραμμα αυτοκαθαρισμού. Μέσω αυτής της διαδικασίας θα καθαρίσει το σωλήνα διαχωρισμού νερού, τον εξατμιστή, την αντλία νερού, το σωλήνα σιλικόνης και το δοχείο νερού κλπ.

9. Μετά από ένα ολοκληρωμένο πρόγραμμα αυτοκαθαρισμού, τραβήξτε προς τα έξω το σωλήνα αποστράγγισης, αποστραγγίστε το διάλυμα καθαρισμού προς τα κάτω στο χαμηλότερο δοχείο αποθήκευσης πάγου, επίσης ανακινήστε ελαφρώς τη μονάδα για να αποστραγγίσετε εντελώς όλο το νερό. Μετά τοποθετήστε το σωλήνα αποστράγγισης σφικτά στη θυρίδα του δοχείου νερού.

10. Επαναλάβετε τα βήματα 8-9 και πάλι 2 φορές.
11. Ακολουθήστε το παραπάνω πρόγραμμα για να καθαρίσετε το δοχείο αποθήκευσης πάγου.
12. Απορρίψτε την πρώτη παρτίδα πάγου.

## Πρόταση καθαρισμού

### 1. ΗΜΕΡΗΣΙΟΣ ΚΑΘΑΡΙΣΜΟΣ

Η σέσουλα πάγου, η πόρτα και ο σωλήνας διαχωρισμού νερού θα πρέπει να καθαρίζεται από εσάς κάθε μέρα. Στο τέλος κάθε μέρας, καθαρίστε τη σέσουλα πάγου και σκουπίστε τις δυο πλευρές της πόρτας με ένα καθαρό πανί.

### 2. ΚΑΘΑΡΙΣΜΟΣ ΚΑΘΕ ΔΕΚΑΠΕΝΤΕ ΗΜΕΡΕΣ

Η σέσουλα πάγου, το δοχείο πάγου, το δοχείο νερού, η πλάκα εντοπισμού της στάθμης πάγου και η επιφάνεια του εξαρτηστή πρέπει να καθαρίζονται

από εσάς κάθε δεκαπέντε ημέρες σύμφωνα με το εσωτερικό πρόγραμμα καθαρισμού.

### 3. ΚΑΘΑΡΙΣΜΟΣ ΚΑΘΕ ΕΞΙ ΜΗΝΕΣ

Όλα τα εξαρτήματα και οι επιφάνειες που εκτίθενται σε νερό ή σε παγάκια, όπως το δοχείο αποθήκευσης πάγου, το δοχείο νερού, η πόρτα, ο εξαρτηστής, η αντλία νερού, ο σωλήνας σιλικόνης, ο σωλήνας διαχωρισμού νερού κλπ. Θα πρέπει να καθαριστεί χρησιμοποιώντας ασφαλές καθαριστικό παγομηχανής Nu-Calgon Nickle κάθε 6 μήνες.

## Αντιμετώπιση προβλημάτων

Πρόβλημα	Πιθανή	Λύση
Η λυχνία «Add water» είναι ενεργοποιημένη.	Δεν υπάρχει παροχή νερού	Ελέγξτε την πίεση της κύριας παροχής νερού ή ελέγξτε αν ο σωλήνας παροχής νερού είναι μπλοκαρισμένος ή όχι προσθέτοντας την πίεση νερού ή καθαρίζοντας τον απαραίτητο σωλήνα.
	Ο πλωτήρας του διακόπτη εντοπισμού της στάθμης νερού έχει μπλοκάρει, δε μπορεί να σκωθθεί	Καθαρίζετε το δοχείο νερού και τον διακόπτη εντοπισμού της στάθμης νερού.
	Το νερό ρέει έξω από το δοχείο νερού.	Τοποθετήστε τη μονάδα στην επίπεδη θέση, και όχι στην επικλινή.
	Το νερό ρέει έξω από το σωλήνα αποστράγγισης νερού του δοχείου νερού	Τραβήξτε το σωλήνα και τοποθετήστε τον σωστά πίσω στη θυρίδα του δοχείου νερού.
Η λυχνία «Add water» αναβοσβήνει	Βλάβη στο σωλήνα παροχής νερού, ή το νερό εισέρχεται πολύ αργά.	Ελέγξτε την πίεση της κύριας παροχής νερού ή ελέγξτε αν ο σωλήνας παροχής νερού είναι μπλοκαρισμένος ή όχι προσθέτοντας την πίεση νερού ή καθαρίζοντας τον απαραίτητο σωλήνα.
Η αντλία νερού λειτουργεί αλλά δεν εξέρχεται νερό από το σωλήνα διαχωρισμού νερού νερού	Οι τρυπίτσες στο σωλήνα διαχωρισμού είναι μπλοκαρισμένες.	Καθαρίστε αυτές τις μικρές τρύπες.
Η διαφάνεια του πάγου δεν είναι πολύ καλή	Η ποιότητα νερού είναι κακή	Αλλάξτε την παροχή νερού ή χρησιμοποιήστε το φίλτρο νερού για να φιλτράρετε το νερό.
Το σχήμα του πάγου δεν είναι κανονικό	Η ποιότητα του νερού δεν είναι καλή ή το δοχείο νερού είναι πολύ βρώμικο	Καθαρίστε το δοχείο νερού αλλάξτε το νερό με καινούργιο.
	Οι τρυπίτσες στο σωλήνα διαχωρισμού νερού είναι μερικώς μπλοκαρισμένες.	Καθαρίστε το σωλήνα διαχωρισμού νερού βεβαιωθείτε ότι και οι εννέα τρύπες δεν είναι βουλωμένες.
Το παγάκι είναι πολύ λεπτό	Η θερμοκρασία περιβάλλοντος είναι πολύ υψηλή	Μετακινήστε τη μονάδα σε χώρο με χαμηλότερη θερμοκρασία ή επιμηκύνετε το χρόνο του κάθε κύκλου παραγωγής πάγου.
	Η κυκλοφορία αέρα γύρω από τη μονάδα δεν είναι καλή	Βεβαιωθείτε ότι υπάρχει κενό μεγαλύτερο των 20 cm μεταξύ του πίσω και του μπροστινού μέρους και του εμποδίου
Το παγάκι είναι πολύ παχύ	Η θερμοκρασία περιβάλλοντος είναι πολύ χαμηλή	Μειώστε τον χρόνο του κάθε κύκλου παραγωγής.
Η λυχνία «Full» είναι ενεργοποιημένη	Το δοχείο αποθήκευσης πάγου είναι γεμάτο παγάκια	Βγάλτε μερικά παγάκια
Ο κύκλος παραγωγής πάγου είναι κανονικός αλλά δεν παράγονται παγάκια	Η θερμοκρασία περιβάλλοντος ή το νερό σε δοχείο νερού είναι πολύ υψηλό	Μετακινήστε τη συσκευή σε μέρος με θερμοκρασία μικρότερη από 32°C και ανανεώστε με νερό χαμηλής θερμοκρασίας
	Διαρροή ψυκτικού υγρού	Απαιτείται ειδικός τεχνικός σέρβις για συντήρηση
	Ο σωλήνας του συστήματος ψύξης έχει βουλώσει	Απαιτείται ειδικός τεχνικός σέρβις για συντήρηση

---

## Ενδειξη Βλαβών

E1: Βλάβη αισθητήρα θερμοκρασίας περιβάλλοντος.

E2: Ο χρόνος διάρκειας ενός κύκλου παραγωγής πάγου είναι μεγαλύτερος από 35 λεπτά, η μονάδα θα απενεργοποιηθεί. Αυτό είναι η προστασία του συστήματος εάν δεν υπάρχει ψυκτικό υγρό στο σύστημα ψύξης ή αν δεν λειτουργεί ο συμπιεστής.

---

## Εγγύηση

Οποιοδήποτε ελάττωμα επηρεάζει τη λειτουργικότητα της συσκευής που γίνεται προφανές δύο χρόνια μετά την αγορά της, θα διορθώνεται με δωρεάν επισκευή ή αντικατάσταση, αρκεί η συσκευή να έχει χρησιμοποιηθεί και συντηρηθεί σύμφωνα με τις οδηγίες και να μην έχει γίνει κατάχρηση ή λανθασμένη χρήση της με οποιονδήποτε τρόπο. Δε τίγονται τα νόμιμα δικαιώματά σας. Εάν η συσκευή υποστηρίζεται

από εγγύηση, δηλώστε πού και πότε έχει αγοραστεί και συμπεριλάβετε την απόδειξη αγοράς (π.χ. απόδειξη λιανικής πώλησης).

Σύμφωνα με την πολιτική μας για τη συνεχή εξέλιξη των προϊόντων μας, διατηρούμε το δικαίωμα να αλλάξουμε το προϊόν, τη συσκευασία και τις προδιαγραφές τεκμηριωσής του χωρίς προειδοποίηση.

---

## Απόρριψη & Περιβάλλον

Η συσκευή, μετά το πέρας της διάρκειας ζωής της, δεν πρέπει να απορρίπτεται ως οικιακό απόρριμμα. Πρέπει να απορρίπτεται, με δική σας ευθύνη, σε καθορισμένο σημείο συλλογής. Η μη τήρηση αυτού ενδέχεται να τιμωρείται σύμφωνα με τους ισχύοντες κανονισμούς για τη διάθεση των απορριμμάτων. Η χωριστή συλλογή και ανακύκλωση αυτής της συσκευής κατά τη στιγμή της απόρριψης βοηθά στη διατήρηση των φυσικών πόρων και εξασφαλίζει την

ανακύκλωσή της με τρόπο που προστατεύει την ανθρώπινη υγεία και το περιβάλλον.

Για περισσότερες πληροφορίες σχετικά με το πού μπορείτε να απορρίψετε τη συσκευή για ανακύκλωση, επικοινωνήστε με την τοπική εταιρεία συλλογής απορριμμάτων. Οι κατασκευαστές και οι εισαγωγείς δεν αναλαμβάνουν την ευθύνη ανακύκλωσης, επεξεργασίας και οικολογικής διάθεσης, είτε άμεσα είτε μέσω δημόσιου συστήματος.

ΣΕΡΒΙΣ ΕΛΛΑΔΟΣ:

Τηλ.: 213 0 998989 (10 γραμμές)

info@pks-hendi.com

Vážený zákazník,

Děkujeme, že jste si koupili tento spotřebič Arktic. Přečtěte si pozorně tuto příručku a věnujte zvláštní pozornost níže uvedeným bezpečnostním předpisům před instalací a používáním tohoto spotřebiče poprvé.



## Bezpečnostní předpisy

- Tento spotřebič je určen pro použití v občerstvení a domácnosti.
- Spotřebič používejte pouze k zamýšlenému účelu, pro který byl navržen, jak je popsáno v této příručce.
- Výrobce nenese odpovědnost za škody způsobené nesprávným provozem a nesprávným používáním.
- Udržujte spotřebič a elektrickou zástrčku mimo vodu a jiné kapaliny. V případě, že spotřebič spadne do vody, okamžitě vyjměte zástrčku ze zásuvky. Nepoužívejte spotřebič, dokud nebyl zkontrolován certifikovaným technikem. Nedodržení těchto pokynů způsobí život ohrožující rizika.
- Nikdy se nepokoušejte otevřít kryt spotřebiče sami.
- Nevkládejte předměty do pouzdra spotřebiče.
- Nedotýkejte se zástrčky mokřými nebo vlhkými rukama.
- ⚡ **NEBEZPEČÍ ELEKTRICKÝM PROUDEM!** Nepokoušejte se opravit spotřebič sami, opravy provádějí pouze kvalifikovaní pracovníci.
- **Nikdy nepoužívejte poškozený spotřebič!** Když je poškozen, odpojte spotřebič od zásuvky a obraťte se na prodejce.
- **VAROVÁNÍ!** Neponořte elektrické části spotřebiče do vody nebo jiných kapalin.
- Nikdy nedržte spotřebič pod tekoucí vodou.
- Pravidelně kontrolujte napájecí zástrčku a kabel pro případné poškození. Pokud je poškozen, musí být nahrazen servisním zástupcem nebo podobně kvalifikovanou osobou, aby se zabránilo nebezpečí nebo zranění.
- Ujistěte se, že kabel nepřichází do kontaktu s ostrými nebo horkými předměty a udržujte jej mimo otevřený oheň. Nikdy nevytahujte napájecí kabel, abyste jej odpojili od zásuvky, vždy vytáhněte zástrčku.
- Ujistěte se, že napájecí kabel nebo prodlužovací kabel nezpůsobují nebezpečí výletu.
- Spotřebič během používání nenechávejte bez dozoru.
- **VAROVÁNÍ!** Dokud je zástrčka v zásuvce, je spotřebič připojen ke zdroji napájení.
- Vypněte spotřebič před odpojením ze zásuvky.
- Napájecí zástrčku připojte ke snadno přístupné elektrické zásuvce, takže v případě nouze lze spotřebič okamžitě odpojit.
- Nikdy nenoste spotřebič za šňůru.
- Nepoužívejte žádná další zařízení, která nejsou dodávána společně se spotřebičem.
- Připojte spotřebič pouze k elektrické zásuvce s napětím a frekvencí uvedenými na štítku spotřebiče.

CZ

- Nikdy nepoužívejte jiné příslušenství než příslušenství doporučené výrobcem. Pokud tak neučiníte, mohlo by představovat bezpečnostní riziko pro uživatele a mohlo by dojít k poškození spotřebiče. Používejte pouze originální díly a příslušenství.
- Tento spotřebič by neměl být provozován osobami se sníženými fyzickými, smyslovými nebo duševními schopnostmi ani osobami, které nemají zkušenosti a znalosti.
- Tento spotřebič by za žádných okolností neměly používat děti.
- Spotřebič a napájecí kabel uchovejte mimo dosah dětí.
- **VAROVÁNÍ:** VŽDY vypněte spotřebič a odpojte od elektrické zásuvky před čištěním, údržbou nebo skladováním.

## Zvláštní bezpečnostní předpisy

- Tento spotřebič je určen k použití v domácnosti a podobných aplikacích, jako např
  - 1) Kuchyňské prostory pro zaměstnance v obchodech, kancelářích a jiném pracovním prostředí;
  - 2) Farmy a klienti v hotelech, motelech a jiném prostředí obytného typu;
  - 3) Prostředí typu nocleh se snídaní;
  - 4) Stravování a podobné maloobchodní aplikace
- Tento spotřebič by měl obsluhovat vyškolený personál v kuchyni restaurace, jídelny nebo baru atd.
-  **POZOR! Horký povrch!** Při použití je povrch zařízení horký. Dotýkejte se pouze ovládacího panelu.
-  **POZOR! Nebezpečí požáru!** Chladivo použité v přístroji je R290. Je vysoce hořlavé. Jako pěnový izolant je v tomto zařízení použit cyklopentan. Je vysoce hořlavé.
- Nepokládejte spotřebič na předměty vyzařující teplo (plynový a elektrický sporák, grill atd.) Udržujte spotřebič v dostatečné vzdálenosti od horkých povrchů a otevřeného ohně. Spotřebič vždy provozujte a umístěte na rovný, stabilní, čistý, tepelně odolný a suchý povrch.
- Tento spotřebič není určen k provozu pomocí externího časovače nebo samostatného systému dálkového ovládní.
- **VAROVÁNÍ:** Udržujte všechny ventilační otvory v krytu spotřebiče bez překážek.
- **VAROVÁNÍ:** K urychlení procesu odmrazování nepoužívejte žádná mechanická zařízení ani jiné prostředky, než které doporučil výrobce.
- **VAROVÁNÍ:** Nepoškozujte chladicí okruh.
- **VAROVÁNÍ:** Připojte pouze k přenosnému přívodu vody.
- V tomto přístroji neskladujte výbušné látky, jako jsou aerosolové plechovky s hořlavým hnacím plynem.
- Během používání přístroje dodržte vzdálenost nejméně 20 cm pro větrání.
- Nepoužívejte tvrdé přístroje k úderům do vnějšího povrchu. Nemyjte přímým proudem vody ani vodní nebo parní myčkou, protože to může způsobit zvlhnutí dílů a riziko úrazu elektrickým proudem.

- Příklad: Přístroj nevystavujte přímému slunečnímu záření. Vyhnete se nárazům a mechanickým vibracím.
- Příklad: Přístroj vždy přemísťujte a dopravujte ve svislé poloze, abyste jej nepoškodili.
- **POZOR!** V případě potřeby bezpečně spusťte napájecí kabel, abyste zabránili neúmyslnému vypnutí nebo kontaktu s topným povrchem.
- Nečistěte spotřebič a nechte jej zchladnout před uschováním.
- Žádné součásti nejsou vhodné do myčky nádobí.

## UWAGA:

Przewody w kablu zasilającym zostały oznaczone następującymi kolorami:

Zielono-żółty:	Uziemienie
Niebieski:	Zero
Brązowy:	Faza

Ponieważ kolory przewodów w kablu zasilającym mogą nie odpowiadać oznaczeniom kolorowym na zaciskach w twojej wtyczce, należy postępować w sposób następujący:

Przewód oznaczony kolorem zielonym i żółtym musi zostać podłączony do zacisku we wtyczce, który jest oznaczony literą E, G lub symbolem, albo kolorem zielonym, bądź zielonym i żółtym.

Przewód oznaczony kolorem niebieskim musi zostać podłączony do zacisku oznaczonego literą N.

Przewód oznaczony kolorem brązowym musi zostać podłączony do zacisku oznaczonego literą L.

**UWAGA:** Wytworzone kostki lodu są ze sobą sklejone i przed użyciem muszą zostać porozbijane.

## Zamýšlené použití

- Tento spotřebič je určen pro použití v občerstvení a domácnosti.
- Zařízení je určeno pouze k výrobě kostek ledu. Jakékoli jiné použití může vést k poškození spotřebiče nebo zranění osob.
- Jakékoli jiné použití zařízení bude považováno za použití v rozporu s předpisy. Za nesprávné použití bude odpovědný výhradně uživatel.

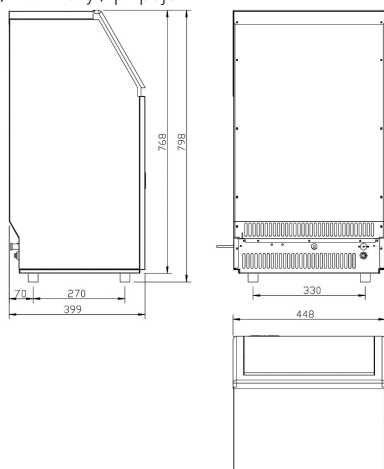
## Uzemňovací instalace

Tento spotřebič je klasifikován jako **třída ochrany I** a musí být připojen k ochrannému prostředku. Uzemnění snižuje riziko úrazu elektrickým proudem tím, že poskytuje únikový vodič pro elektrický

proud. Tento spotřebič je vybaven napájecím kabelem, který má uzemňovací vodič a uzemněnou zástrčku. Zástrčka musí být zapojena do zásuvky, která je správně instalována a uzemněna.

## Technická specifikace

### 1) Rozměry / připojení



### 2) Nominální hodnota

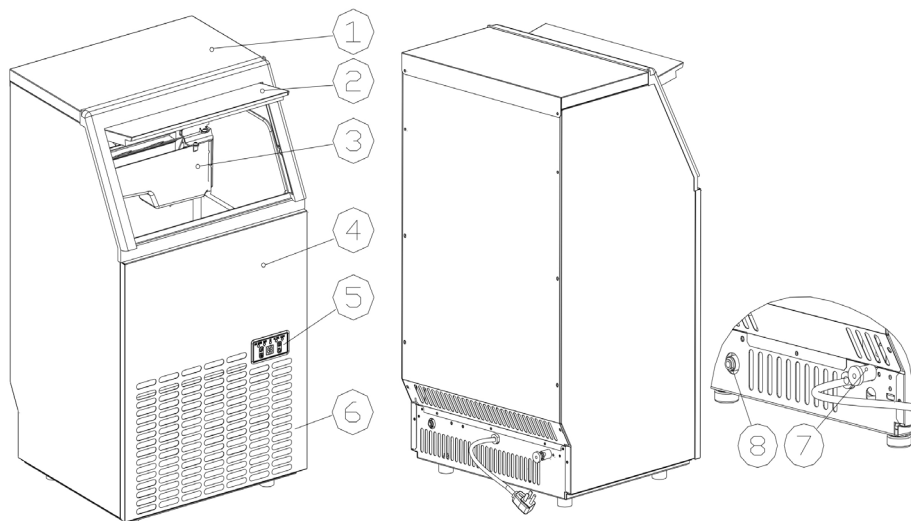
Číslo produktu	271575	
Provozní napětí a frekvence	220-240V~ /50Hz	
Jmenovitý proud	2,2A	
Jmenovitý výkon	280W	
Použité chladivo a vstříkované množství	R290 / 95g	
Klimatická třída	SN-T	
Pěnový izolant	Cyclopentane	
Třída ochrany	Třída I	
Provozní podmínky	Těpl. pokojová Těpl. vody Tlak vody	10°C ~ 38°C 5°C ~ 35°C 0,04 ~ 0,6 MPa
Čistá hmotnost (přibližně)	27kg	
Rozměry	448x400x(H)798mm	

**Poznámka: Specifikace mohou být změněny bez předchozího upozornění.**



## OBECNÉ INFORMACE

### 1) Konstrukce hlavního zařízení

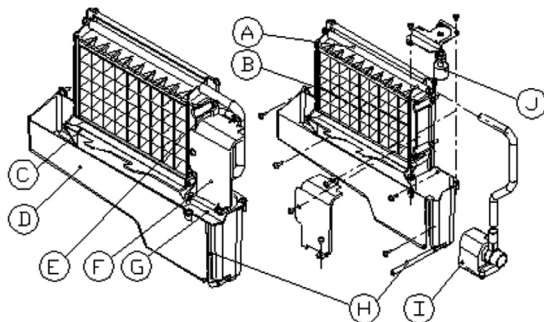


1. Horní kryt
2. Dvířka
3. Soustava výrobce ledu a nádrže na vodu
4. Čelní panel
5. Ovládací panel
6. Výstup vzduchu: je nutné zajistit volný průtok vzduchu; během provozu bude odváděn horký vzduch.

7. Zásuvka odtoku vody.
8. Zásuvka přívodu vody.

Příslušenství: Bílá hadice pro vypouštění vody o délce 2 metry, bílá přípojka, bílá hadice o délce 3 metry pro přívod tekoucí vody (ø 6,35 mm).

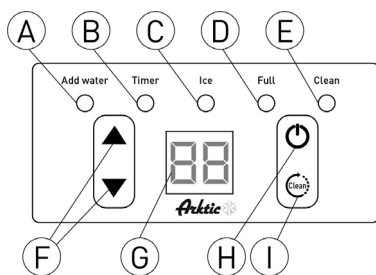
CZ





- A. Odtoková trubka: s devíti malými otvory, ze kterých bude voda vytékat.
- B. Odpařovač (modul výrobce ledu)
- C. Deska detekující plnění nádrže na led.
- D. Vodní nádrž.
- E. Potrubí s přívodem vody.

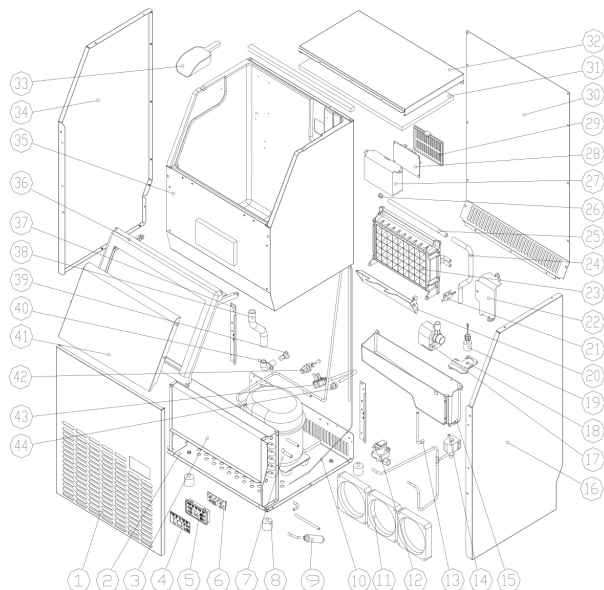
- F. Kryt na pravé straně odpařovače.
- G. Montážní deska spínače hladiny vody.
- H. Odtokové potrubí vody z nádrže na vodu.
- I. Vodní čerpadlo.
- J. Spínač pro detekci hladiny vody.

## 2) Ovládací panel



- A. Indikátor „Add water“ [Přidat vodu]: blikání tohoto indikátoru znamená, že přívod vody je příliš pomalý; pokud svítí nepřetržitě, znamená to, že v přístroji není žádná voda.
- B. Indikátor „Timer“ [Časovač]: rozsvítí se kontrolka, která indikuje, že je nastaven časovač. Časový programátor lze zapnout nebo vypnout pomocí tlačítka clean / timer.
- C. Ukazatel „Ice“ [Led]: Při rozsvícení tohoto indikátoru přístroj produkuje led; jeho blikání znamená, že je přístroj v procesu shromažďování ledu.
- D. Indikátor „Full“ [Plný]: Tento indikátor se rozsvítí, když je zařízení naplněno ledem.
- E. Indikátor „Clean“ [Čištění]: Tento indikátor se rozsvítí a začne čistit vodní čerpadlo. Během jeho blikání je proces čištění vodního čerpadla zablokován.
- F. Tlačítka ▲ & ▼: Pomocí těchto tlačítek se nastaví doba trvání procesu tvorby ledu. Výchozí hodnota je nulová a každé stisknutí tlačítka ▲ nebo ▼ odpovídajícím způsobem zvyšuje nebo snižuje tento čas o 1 minutu. Navíc je při nastavování časového zpoždění časovače výchozí hodnota nulová a při každém stisknutí tlačítka ▲ nebo ▼ se tato doba zvyšuje nebo snižuje o 1 hodinu.
- G. Displej: Za normálních podmínek se zobrazí číslo, které udává teplotu prostředí; pokud displej bliká, zobrazovaná hodnota znamená čas v minutách zbývajících do dokončení procesu, například cyklu výroby ledu, programu samočištění atd.
- H. Tlačítko „“ („Zap./ vyp.“): Když je zařízení vypnuto, stisknutím tohoto tlačítka se spustí. Během samočištění programu nebo v běžném režimu výroby ledu způsobí jeho stisknutí okamžité vypnutí zařízení. Pokud je časovač nastaven, pomocí tohoto tlačítka se nastavení časovače zruší. Během výroby kostek ledu stisknutím tohoto tlačítka po dobu delší než 5 sekund spustíte proces sběru ledu.
- I. Tlačítko „“ (Programování čištění): Chcete-li vstoupit do programu nastavení časovače, stiskněte toto tlačítko jednou. Podržte tlačítko alespoň 5 sekund, dokud je přístroj vypnutý, aby se přepnul do programu čištění.

## Seznam součástí



Poř.	Název dílu	Množství	Poznámky	Poř.	Název dílu	Množství	Poznámky
1	Přední panel	1		24	Potrubí přívodu vody	1	
2	Spodní panel	1		25	Odtokové potrubí s devíti otvory	1	
3	Kondenzátor	1		26	Kryt odtokového potrubí	1	
4	Vysvětlující plaketa ovládacího panelu	1		27	Schránka desky s plochými spoji elektrického obvodu	1	
5	Schránka desky s plochými spoji operačního panelu	1		28	Deska s plochými spoji hlavního řídicího panelu	1	
6	Deska s plochými spoji ovládacího panelu	1		29	Kryt desky s plochými spoji hlavního řídicího modulu	1	
7	Kompresor	1		30	Zadní panel	1	
8	Nastavitelná noha	4		31	Izolační houba horního krytu	1	
9	Suchý filtr	1		32	Horní kryt	1	
10	Kapilára	1		33	Lopatka na led	1	
11	Ventilátor na stejnosměrný proud	3		34	Boční levý panel	1	
12	Uzávěr přívodu vody	1		35	Vnitřní skříň pokrytá izolační pěnou a nádoba na led	1	
13	Potrubí pro vypouštění vody z nádrže na vodu	1		36	Dveřní rám	1	
14	Elektromagnetický ventil pro sběr kostek ledu	1		37	Zesílený zadní panel	1	
15	Vodní nádrž	1		38	Odtoková trubka vody z vnitřní skříně	1	
16	Boční pravý panel	1		39	Víčko odtoku vody	1	
17	Oběhové vodní čerpadlo	1		40	Zásuvka pro odtok vody	1	
18	Víko nádrže na vodu	1		41	Dvířka	2	
19	Spínač pro detekci hladiny vody	1		42	Zásuvka přívodu vody	1	
20	Deska detekující plnění nádrže ledem	1		43	Napájecí kabel	1	
21	Magnetický ovládací spínač	4		44	Svorka napájecího kabelu	1	
22	Kryt na pravé straně odpařovače	1		45	Kabláž	1	
23	Odpařovač a jeho rám	1					

## Rozbalení stroje na led

1. Odstraňte vnější a vnitřní obal. Zkontrolujte, zda jsou připojena všechna příslušenství, včetně návodu k použití, lopatky na led, hadice přívodu tekoucí vody, rychlospojku 4 žíly na 2 a hadice pro odtok vody atd. V případě absence jakékoli části kontaktujte náš zákaznický servis.
2. Uschovejte obal za účelem uskladnění, když nebudete přístroj delší dobu používat.
3. Demontujte upevňovací pásy dvířek, stejně jako skříň, lopatku na led, atd. Zhruba vyčistěte vnitřní skříň a lopatku na led vlhkým hadříkem.
4. Zařízení na výrobu ledu postavte na rovném a plochém povrchu, na místě, které není vystaveno přímému slunečnímu záření a je vzdáleno od jiných zdrojů tepla (např. trouby, kuchyně, radi-

átory atd.). Zajistěte vzdálenost mezi výstupem vzduchu a překážkami nejméně 20 cm a nejméně 5 cm mezi levou / pravou boční stěnou přístroje a stěnou místnosti.

5. Před připojením výrobku ledu k napájecímu zdroji jej nechte 4 hodiny, aby chladicí kapalina mohla stéct, protože se zařízení mohlo během přepravy obrátit vzhůru nohama.
6. Zařízení musí být umístěno na místě, které umožňuje volný přístup servisního zaměstnance k zástrčce.

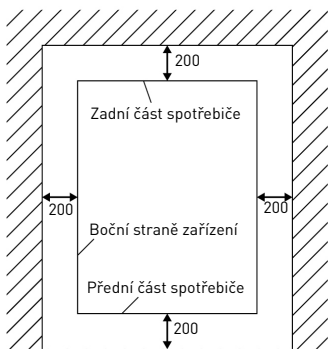
**POZOR:** K výrobě ledu by měla být použita pouze pitná voda.

## Požadavky na místo instalace

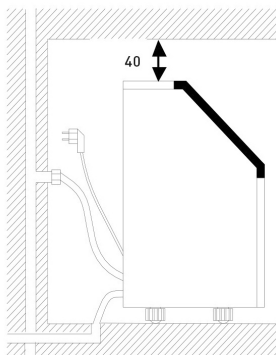
- a) Udržujte teplotu prostředí a teplotu vody přicházející do zařízení v hranicích uvedených ve výše uvedené tabulce specifikací. Nesplnění této podmínky může zhoršit práci stroje na led.
- b) Přístroj by se neměl nacházet v bezprostřední blízkosti zdrojů tepla.

- c) Zařízení musí být umístěno na odolném a plochém povrchu v normální výšce desky.
- d) Udržujte vzdálenost 200 mm kolem zařízení a 40 mm od horní části, abyste zajistili dobré větrání.
- e) Nepokládejte nic na horní povrch stroje na led.

Odstup při instalaci pohled shora  
(1:10) (mm)



Pohled ze strany (mm)



Při instalaci stroje na led pod pracovní desku dodržujte správné odstupy (uvedené výše). Nastavte kabely elektrického napětí a hadice pro přítok a odtok vody na doporučených místech uvedených na obrázku výše. Po instalaci vyberte dobře větrané místo, ve kterých se udržuje teplota nad 10°C a pod 32°C. Zařízení musí být na místě chráněném před působení-

m takových faktorů, jako je vítr, dešť, postřik nebo kapání vody.

Stroj na led vyžaduje nepřetržitý přívod vody pod tlakem 1-8 Bar, jak je uvedeno v tabulce jmenovitých hodnot. Aby přístroj správně fungoval, musí být teplota vody, která vstupuje do výrobku ledu, v rozmezí od 5°C do 25°C.

## Požadavky a elektrické připojení

**UPOZORNĚNÍ:** ZAŘÍZENÍ MUSÍ BÝT UZEMNĚNO.

- Před postavením stroje na led na určeném místě se ujistěte, že je k dispozici vhodné elektrické připojení.
- Doporučuje se připravit samostatný elektrický obvod určený pouze pro připojení výrobku ledu.

Je nutné použít zásuvky, které nelze vypnout jističem nebo řetězem. V případě potřeby výměny síťového kabelu nebo zástrčky to musí provést kvalifikovaný servisní mechanik.

- Toto zařízení vyžaduje napájení ze sítě s napětím 220-240 V, 50 Hz s odpovídajícím uzemněním.

## Mytí stroje na led před prvním použitím

1. Otevřete dvířka.
2. Opláchněte čisticím prostředkem zředěným v teplé vodě pomocí měkkého hadříku.
3. Několikrát opláchněte vnitřní části, které přicházejí do styku s vodou. Vytáhněte odtokovou trubku nádrže na vodu označenou písmenem „ H „ na obrázku výše, abyste vypustili vodu použitou k vyplachování nádrže a poté opláchněte nádobu na led. Poté vypusťte veškerou vodu použitou k mytí z odtokové zásuvky vody umístěné z zadní části

zařízení (označená číslicí“ 7 „ na výše uvedeném obrázku). Opět upevněte potrubí odtoku vody, jinak zařízení nebude fungovat správně. Vyhodte první kostku ledu získanou po čištění.

4. Vnější povrch výrobku ledu je nutné pravidelně oplachovat jemným čisticím roztokem a teplou vodou.
5. Vnitřní a vnější povrch vysušte měkkým hadříkem.

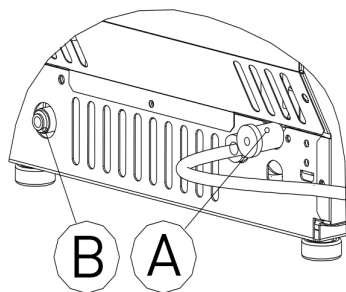
## Připojení vody k výrobku ledu

**Poznámka:** Použijte nové hadice dodávané se zařízením.

Připojte hadici vedoucí vodu do zařízení

Krok 1: Nejprve vyjměte svorku ze zásuvky na vodu (označenou na obrázku níže písmenem “B”) umístěného na zadní straně přístroje. Vyjměte zátku proti prachu.

Krok 2: Zastrčte jeden konec hadice do zásuvky na vodu, zatlačte až na konec a znovu zapněte svorku.



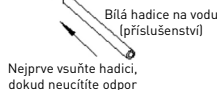
Krok 1: Vyjměte zátku proti prachu

Zásuvka pro přívod vody na zadní straně jednotky



Krok 2: Zasuňte hadici

Znovu nasadte svorku



## Připojení hadice k odtoku vody

Sejměte matici černé barvy k odtoku vody (označenou písmenem „ A „ na obrázku výše) a připojte

přiloženou bílou vypouštěcí hadici, a její jeho konec připojte k hlavnímu odpadovému potrubí.

## Připojte hadici přívodu vody ke kohoutku hlavní vodovodní sítě

Přiložená rychlospojka na vodu musí být upevněna ke kohoutku; nejprve vyjměte svorku z rychlospojky, vložte druhý konec hadice do rychlospojky až na doraz a opět nasadte svorku.

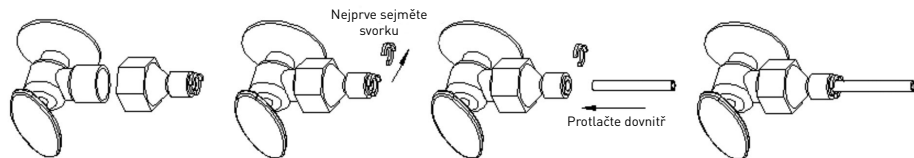
**Poznámka:** Tlak vody ve vodovodní síti musí činit alespoň 0,04-05 MPa.

Krok 1: Rychlospojka a kohoutek

Krok 2: Našroubujte rychlospojku na kohoutek závitovým dílem a poté vyjměte svorku

Krok 3: Stlačte hadici až na doraz

Krok 4: Znovu nasadte svorku



## Výroba ledu

1. Po připojení všech hadic připojte zařízení k elektrické síti. Poté stiskněte tlačítko "❶" na ovládacím panelu za účelem zahájení výroby ledu. Zároveň svítí kontrolka „Ice“. Na digitálním displeji se zobrazí okolní teplota. Při výrobě ledu bude fungovat kompresor, motor ventilátoru a vodní čerpadlo.
2. Každý cyklus výroby ledu bude trvat 11 až 30 minut, v závislosti na okolní teplotě a teplotě vody.
3. Po dokončení procesu výroby ledu se zařízení přepne do režimu sběru ledu. Systém přesně detekuje hladinu vody. Pokud je příliš nízká, začne blikat indikátor „Add water“. Pro doplnění nádrže na vodu musíte otevřít ventil přívodu vody. Po dokončení tohoto procesu indikátor „Add water“ zhasne.
4. Jakmile se kontrolka „Full“ rozsvítí, zařízení

přestane fungovat. Po odstranění dostatečného množství kostek ledu zařízení obnoví provoz přibližně za 3 minuty.

5. Během procesu výroby ledu stiskněte tlačítko ▲ nebo ▼ pro změnu délky procesu výroby ledu. To změní tloušťku kostky ledu. Výchozí hodnota je nulová a každé stisknutí tlačítka ▲ nebo ▼ odpovídajícím způsobem zvýší nebo zkrátí dobu provozu o 1 minutu. Po 5 sekundách po posledním stisknutí tlačítka bude nové nastavení zapamatováno.
6. Špatná kvalita vody způsobí špatnou kvalitu kostek ledu a sníží jejich průhlednost.

**POZNÁMKA:** Vyrobené kostky ledu jsou slepeny dohromady a před použitím by měly být rozděleny.

## Program automatického samočištění


Spuštění samočisticího programu: Po připojení hadice k vodě připojte přístroj k elektrické síti a stiskněte tlačítko "❷" na déle než 5 sekund za účelem zahájení programu čištění. Během procesu čištění bude indikátor „Clean“ svítit a digitální displej zobrazí čas zbývající do konce procesu. Samočisticí program trvá 30 minut.

Zrušení samočisticího programu: Jeden kompletní samočisticí cyklus trvá 30 minut. Po dokončení programu se zařízení automaticky vypne. Samočisticí program můžete také vynutit stisknutím tlačítka "❶" na ovládacím panelu.

## Nastavení Časovače:

Jak naprogramovat čas spuštění zařízení pomocí časovače: Když je zařízení vypnuto, stiskněte tlačítko „Timer / Clean“ pro nastavení času, kdy by se zařízení mělo spustit. Rozsvítí se kontrolka „Timer“ a na digitálním displeji bude blikat číslo, které zobrazuje, za kolik hodin se zařízení spustí. V průběhu blikání displeje stiskněte tlačítko ▲, ▼ pro přidání nebo odebrání hodiny, přičemž výchozí hodnota je nulová. Pět sekund po nastavení času bude zapamatován.

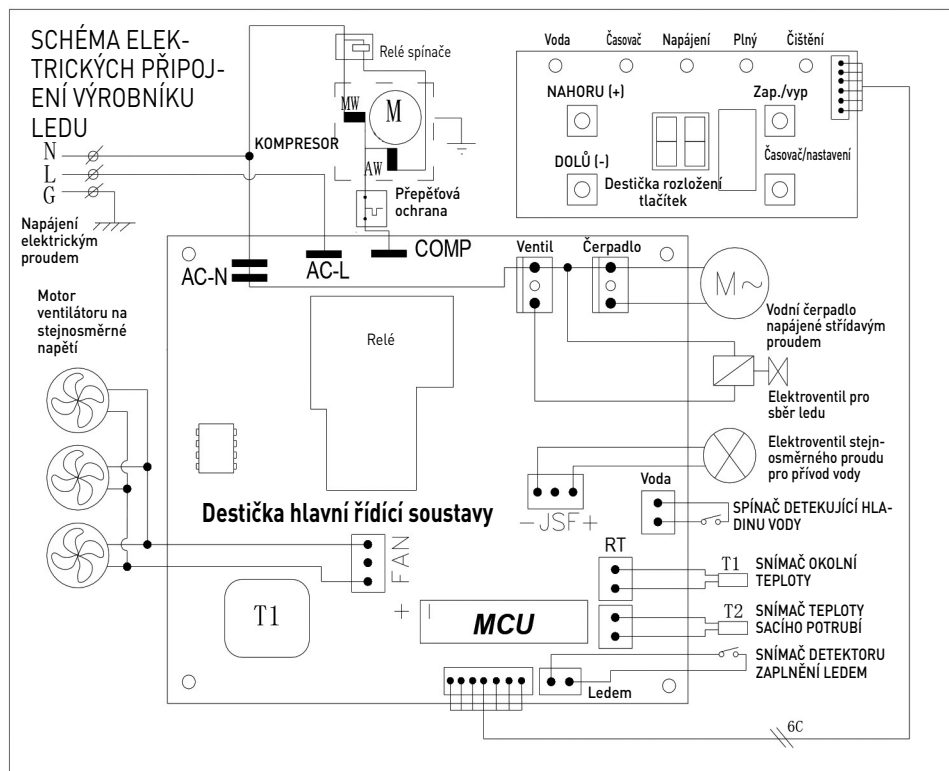
Jak zrušit nastavený čas spuštění: Stiskněte tlačítko „Timer / Clean“ a číslo na digitálním displeji bude blikáním zobrazovat aktuální čas zpoždění

zapnutí zařízení naprogramovaného časovačem. Opětovné stisknutí tohoto tlačítka způsobí zrušení nastavení. Stisknutím tlačítka  bude také smazáno nastavení časovače.

Jak naprogramovat čas vypnutí zařízení pomocí časovače: Když je zařízení zapnuté, stisknutím tlačítka „Timer / Clean“ nastavíte čas, kdy se zařízení nesmí vypnout. Dále je třeba jednat jako ve výše uvedeném bodě.

Jak zrušit nastavený čas vypnutí: Postup je totožný s postupem zrušení naprogramovaného času spuštění.

## Schéma vnitřních připojení



## Zvuky

Váš nový výrobník ledu může vydávat neobvyklé zvuky, ale většinou jsou však přirozené. Tvrdé povrchy, jako je podlaha, stěny nebo skříně, mohou způsobit, že zvuk, který přístroj vydává, bude hlasitější, než ve skutečnosti je. Níže uvádíme popis zvuků vydávaných výrobníkem ledu.

- V okamžiku otevření vodního ventilu za účelem naplnění nádrže pro všechny cykly bude slyšet hluk.
- Drkotavé zvuky mohou být způsobeny proudem chladiva nebo mohou být vydávány vodovodní sítí.
- Vysoce výkonný kompresor může produkovat pulzující nebo vysokofrekvenční zvuk.

## Příprava výrobniku ledu pro dlouhodobé skladování

Pokud není výrobník ledu dlouhodobě používán nebo má být přepraven na jiné místo, je nutné odstranit veškerou vodu ze systému.

1. Vypněte přístroj a vyjměte zástrčku ze zásuvky.
2. Uzavřete přívod vody u hlavního zdroje.
3. Odpojte hadici přívodu vody od ventilu přívodu vody.
4. Vytáhněte odtokovou trubku z vodní nádrže (označenou na obrázku písmenem H), abyste z ní uvolnili veškerou vodu. Jakmile je voda uvolněna, upevněte vodovodní trubku na původním místě.
5. Vypusťte veškerou vodu ze zásuvky pro odtok vody na zadní straně zařízení (číslo 7 na obrázku).

- Voda, která proudí z nádrže do odpařovače, může způsobit specifické žbluňknutí.
- Voda odtékající z odpařovače do nádrže může způsobit specifické žbluňknutí.
- Po dokončení každého cyklu můžete slyšet bubláání způsobené proudem chladiva v výrobníku ledu.
- Je možné slyšet hluk vzduchu vyfukovaného vzduchu nad kondenzátorem přes ventilátor. Během cyklu sběru ledu můžete slyšet zvuk kostek padajících do nádoby.
- Při prvním spuštění výrobniku ledu uslyšíte zvuk nepřetržitého toku vody. Výrobník ledu před zahájením výroby provede cyklus vyplachování.

6. Odpojte vypouštěcí hadici od odtokového potrubí nebo odtoku vody v podlaze a našroubujte matici na zásuvku odtoku vody.
7. Nechte dvířka otevřená, abyste zajistili proudění vzduchu a zabránili vzniku plísní.
8. Hadice přívodu vody a napájecí kabel musí být před dalším používáním výrobniku odpojeny.
9. Vysušte vnitřek jednotky a vyčistěte vnější konstrukci.
10. Abyste zabránili vnikání prachu a nečistot do jednotky, nasadte plastovou fólii na výrobník ledu.

## Čištění a údržba

**UPOZORNĚNÍ:** K mytí/dezinfekci výrobniku ledu nepoužívejte žádný alkohol nebo aerosol. To může vést k popraskání plastových dílů. Alespoň jednou za rok musíme zavolat kvalifikovaného servisního mechanika, který provede kontrolu a čištění kondenzátoru pro zajištění správného fungování spotřebiče. Vyčistěte spotřebič proudem vody.

**POZNÁMKA:** Pokud není výrobník ledu používán po dlouhou dobu, před následným použitím by měl být důkladně vyčištěn. Přísně dodržujte pokyny pro čištění nebo použití dezinfekčních prostředků. Výrobník ledu musí být důkladně zbaven po umytí všech čistících prostředků.

Pravidelné mytí a správná údržba zajistí výkon, spolehlivý provoz, stejně jako správnou hygienu a životnost zařízení. Dodržujte přiměřené intervaly údržby mezi dalšími údržbovými cykly. Pokud máte domácí zvířata, zařízení se používá mimo budovu. Pokud máte jiné zvláštní důvody, doporučuje se snížení těchto časových intervalů. Vezměte prosím na vědomí, že v nádobě na led nesmíte uchovávat nic, kromě ledu: předměty jako např. láhve vína nebo piva jsou nehygienické, ale také se od nich může odlepit štítek a zablokovat potrubí pro odtok vody.



## Čištění vnějšího pláště

Dvířka a skříňku lze mýt jemným čisticím prostředkem a teplou vodou. Nepoužívejte rozpouštědla obsahující abrazivní nebo agresivní prostředky. Čistěte pomocí měkké houbičky a opláchněte čistou vodou, poté utřete do sucha, abyste zabránili vzniku skvrn.

## Čištění vnitřní části jednotky

### Nádoba na kostky ledu

Nádobu na kostky ledu čas od času dezinfikujte. Opláchněte jej před prvním použitím výrobniku ledu a před opětovným použitím po dlouhé přestávce. Prázdnou nádobu dezinfikujte nejlépe po jejím vyjmutí z přístroje.

1. Pokud se zařízení nepoužívá odpojte jej od napájení.
2. Otevřete dvířka a pomocí vlhkého ubrousku otřete vnitřek dezinfekčním roztokem vyrobeným z 28 g domácího bělicího prostředku nebo chloru a 7,5 l horké vody.

## Čištění dílů vytvářejících led

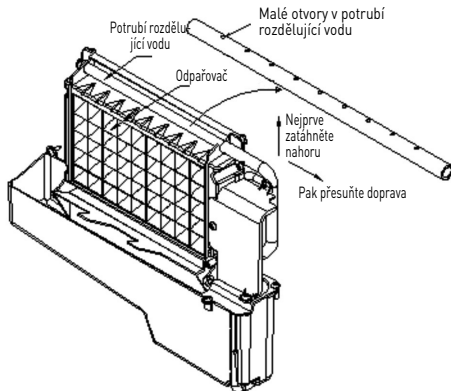
Během používání pravidelně čistěte hlavní soustavu výrobniku ledu.

1. Opakujte výše uvedené kroky pro čištění nádrže na vodu a dalších vnitřních prvků jednotky.
2. Kromě toho vyčistěte potrubí rozdělující vodu do odpařovače; demontujte tuto položku a vyčistěte každý malý otvor, jak je znázorněno na spodním obrázku, zkontrolujte, zda není zablokována a upevněte ji zpět na původní místo.
3. Pokud jsou na povrchu odpařovač kostky ledu, které nelze odstranit, neodstraňujte je silou; stačí stisknout tlačítko "❏" na déle než 5 sekund a zařízení se přesune do fáze tání ledu: kostky ledu mohou spadnout samy o sobě. Pro vyčištění povrchu odpařovače vypněte spotřebič a odpojte napájecí kabel ze zásuvky.

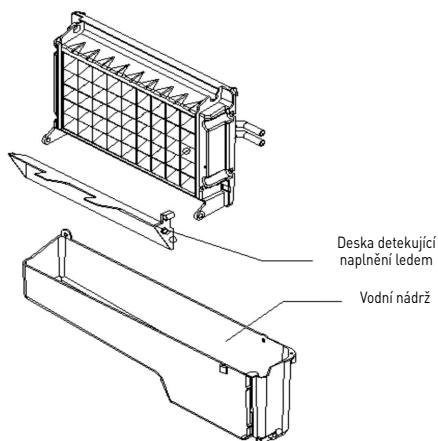
**POZOR:** Modely z nerezavé oceli jsou vystaveny působení plynu nebo vlhkosti obsahující chlór, jako např. v oblasti wellness center nebo bazénů, mohou být v části obsahující části z oceli zbarveny. Změna barvy způsobená působením chloru je přirozeným jevem.

3. Důkladně opláchněte čistou vodou. Odpadní voda bude odvedena odtokovou hadicí.
4. Připojte přístroj opět k elektrické síti. Lopatku na led, stejně jako ostatní nádoby na potraviny, pravidelně čistěte.

**VAROVÁNÍ:** Nepoužívejte rozpouštědla obsahující abrazivní nebo žíravé látky - mohou ovlivnit chuť ledu.



#### 4. Nádrž na vodu a deska detekující naplnění ledem



Nádrž na vodu a deska, která detekuje naplnění ledem, jsou také důležité pro hygienu kostek ledu. Do čistého postříkovače přidejte směs neutrálního pracího prostředku a vody a poté postříkejte celý vnitřní povrch nádrže na vodu a desku detekující naplnění ledem. Důkladně osušte čistým hadříkem. Poté vypusťte vodu použitou k mytí z nádrže na vodu a vyjměte odtokovou trubku (označenou písmenem H na obrázku). Po uvolnění veškeré vody umístěte odtokovou trubku nádrže na vodu na původní místo.

**Nezapomeňte po umytí vnitřních částí vyhodit první dávku ledu.**

#### Odstranění kotelního kamene

Minerály vysrážené z vody během cyklu mražení v průběhu času vytvoří pevnou vrstvu kamene v systému průtoku vody. Pravidelné mytí soustavy pomáhá odstranit nahromaděný kámen. Jak často byste měli systém umýt, závisí na tvrdosti vody. V případě tvrdé vody (s tvrdostí 4 až 5 granů na litr) by mělo být čištění prováděno každých 6 měsíců.

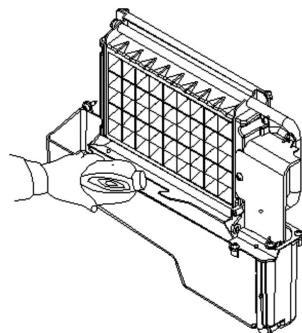
1. Vypněte výrobek ledu. Neodpojujte jej od vodovodu a kanalizace. Uzavřete kohoutek hlavního zdroje vody.
2. Otevřete dvířka, pomocí lopatky odstraňte všechny kostky ledu a poté je vložte do chladničky nebo mrazničky nebo je vyhoďte.
3. Příprava čisticího roztoku. Smíchejte čisticí prostředek pro výrobky ledu s názvem Nu-Calgon Nickle Safe Ice Machine Cleaner s vodou pro vytvoření čisticího roztoku.

**VAROVÁNÍ:** Při použití čisticího prostředku pro výrobek ledu používejte rukavice a ochranné brýle.

V nádobě z plastu nebo nerezavé oceli s objemem přesahujícím 4 litry smíchejte 300 ml Nu-Calgon Nickle Safe Ice-machine Cleaner s 2,8 l teplé vody o teplotě cca 50-60°C. Směs rozdělte na dvě stejné části ve dvou šálkách. Udržujte teplotu čisticího roztoku v každém šálku.


4. Ujistěte se, že je odtoková potrubí z vodní nádrže správně upevněno v otvoru ve stěně nádrže. Poté

nalijte jeden šálek roztoku Nickel-Safe Ice Maker Cleaning Solution do vodní nádrže. Počkejte 5 minut.



5. Zapněte napájení výrobku ledu a stiskněte tlačítko "Clean" na ovládacím panelu na déle než 5 sekund pro spuštění samočisticího programu. Během tohoto procesu se rozsvítí kontrolka „Clean“ a digitální displej bude zobrazovat čas zbývajících do ukončení.
6. Po dokončení jednoho kompletního cyklu samočisticího programu vyjměte vypouštěcí trubku nádrže na vodu, vypusťte čisticí roztok nacházející se v nádobě na led, lehce zatřeste zařízením a zbavte se tak zbytků vody. Poté znovu vložte vypouštěcí trubku do otvoru ve vodní nádrži.
7. Opakujte kroky 4-6, abyste znovu umyli výrobek ledu.

**UPOZORNĚNÍ:** Prostředek na čištění výrobku ledu obsahuje kyseliny. NEPOUŽÍVEJTE ho ani nemíchejte s čistícími prostředky obsahujícími rozpouštědla. Chraňte ruce gumovými rukavicemi. Pečlivě si přečtěte bezpečnostní pokyny pro materiál na obalu čistícího prostředku pro výrobky ledu.

8. Odšroubujte kohoutek hlavního zdroje vody a napusťte vodu do jednotky. Znovu stiskněte na déle než 5 sekund tlačítko , pokud si přejete spustit samočistící program. Tento proces bude mít za následek vypláchnutí odtokové trubky, odpařovače, vodního čerpadla, silikonového potrubí, nádrže na vodu atd vody, rurky silikonovej oraz zbiornika wody, etc.

9. Po dokončení jednoho kompletního cyklu samočistícího programu vyjměte vypouštěcí trubku nádrže na vodu, vypusťte čistící roztok nacházející se v nádobě na led, lehce zatřeste zařízením a zbavte se tak zbytků vody. Poté znovu těsně zajistěte odtokové potrubí do otvoru pro sběr vody.
10. Dvakrát opakujte kroky popsané v bodech 8-9.
11. Podle výše uvedeného programu umyjte nádobu na led.
12. Po umytí přístroje vyhodte první várku kostek ledu.

### **Pokyny pro čištění**

#### **1) KAŽDODENNÍ ČIŠTĚNÍ**

Lopatku na led, dvířka a potrubí rozdělující vodu je nutné čistit každý den. Na konci dne opláchněte lopatku na led a otřete obě strany dveří čistým hadříkem.

#### **2) ČIŠTĚNÍ KAŽDÉ DVA TÝDNY**

Lopatku na led, nádobu na led, nádrž na vodu, deska detekující naplnění ledem a povrch odpařovače by měly být čištěny každé dva týdny v souladu s programem pro čištění vnitřní části zařízení.

#### **3) MYTÍ KAŽDÝCH 6 MĚSÍCŮ**

Všechny prvky a povrchy, které mají kontakt s vodou nebo kostkami ledu, jako jsou nádoby na led, zásobník na vodu, dvířka, odpařovač, vodní čerpadlo, silikonové potrubí rozdělující vodu atd. je nutné čistit každých 6 měsíců pomocí prostředku Nu-Calgon Nickle Safe Ice-machine Cleaner.

## Odstraňování problémů

Problém	Možná příčina	Řešení
Svítil indikátor "ADD WATER" [PŘÍDEJTE VODU].	Žádný přívod vody	Zkontrolujte tlak hlavního zdroje vody nebo zkontrolujte, zda není hadice přívodu vody zablokována a v případě potřeby zvýšte tlak vody nebo vyčistěte hadici.
	Plovák spínače detekce hladiny vody je zablokován a nemůže stoupat	Vypláchněte vodní nádrž a spínač detekující hladinu vody.
	Voda uniká z vodní nádrže	Umístěte výtorník na rovný povrch.
	Voda uniká z odtokového potrubí nádrže na vodu.	Vytáhněte potrubí a upevněte jej správně k otvoru nádrže na vodu.
Bliká indikátor "ADD WATER" [PŘÍDEJTE VODU].	Poškození přívodní hadice nebo velmi pomalé zásobování vodou.	Zkontrolujte tlak hlavního zdroje vody nebo zkontrolujte, zda není hadice přívodu vody zablokována a v případě potřeby zvýšte tlak vody nebo vyčistěte hadici.
Vodní čerpadlo funguje, ale z trubky odděluje vodu nevytéká voda	Malé otvory v potrubí oddělující vodu byly zablokovány.	Zprůchodněte otvory.
Průhlednost kostek ledu je neuspokojivá	Nízká kvalita vody	Změňte zdroj vody nebo použijte filtr pro její změkčení.
Tvar kostky ledu je nepravidelný	Špatná kvalita vody nebo vysoké znečištění vodní nádrže	Opláchněte vodní nádrž a nalijte čerstvou vodu.
	Některé otvory v potrubí oddělující vodu byly zablokovány.	Vypláchněte potrubí, které odděluje vodu, a ujistěte se, že všech devět otvorů je v průchodných.
Kostka ledu je velmi tenká	Příliš vysoká okolní teplota	Přesuňte jednotku na místo s nižší teplotou nebo prodlužte dobu trvání každého cyklu výroby ledu.
	Proudění vzduchu kolem zařízení je nedostatečné	Zajistěte vzdálenost mezi přední a zadní stěnou zařízení a překážkou nejméně 20 centimetrů
Kostka ledu je příliš silná	Příliš nízká teplota prostředí	Zkraťte dobu trvání každého cyklu výroby ledu.
Svítil kontrolka „FULL“	Nádoba na led je plná kostek ledu.	Vyjměte část kostek ledu
Cyklus výroby ledu je normální, ale kostka ledu nebyla vyrobena	Příliš vysoká teplota prostředí nebo vody v nádrži na vodu	Přesuňte jednotku na místo s teplotou nižší než 32°C a přepněte zařízení na zdroj vody s nízkou teplotou
	Únik chladiva	Nutná oprava servisním pracovníkem
	Zablokované potrubí chladicího systému	Nutná oprava servisním pracovníkem

## Indikátory chyb

E1: Porucha snímače okolní teploty

E2: Pokud bude doba trvání cyklu výroby ledu činit více než 35 minut, zařízení bude automaticky vypnuto. Účelem je ochrana zařízení v případě absence chladiva v chladicí soustavě nebo v případě poruchy kompresoru.

---

## Záruka

Jakákoli závada ovlivňující funkčnost spotřebiče, která se projeví do jednoho roku po zakoupení, bude opravena bezplatnou opravou nebo výměnou za předpokladu, že spotřebič byl použit a udržován v souladu s pokyny a nebyl žádným způsobem zneužíván nebo zneužit. Vaše zákonná práva nejsou dotčena. Pokud je spotřebič nárokován v záruce,

uveďte, kde a kdy byl zakoupen, a přiložte doklad o koupi (např. potvrzení).

V souladu s naší politikou neustálého vývoje produktů si vyhrazujeme právo bez předchozího upozornění měnit specifikace produktu, balení a dokumentace.

---

## Vyřazení a životní prostředí

Při vyřazování spotřebiče z provozu nesmí být výrobek likvidován s jiným domovním odpadem. Místo toho je vaší odpovědností nakládat s odpadním zařízením tak, že je předáte určenému sběrnému místu. Nedodržení tohoto pravidla může být potrestáno v souladu s platnými předpisy o nakládání s odpady. Samostatný sběr a recyklace vašeho odpadního zařízení v době likvidace pomůže šetřit přírodní zdroje a zajistit jejich recyklaci způsobem, který chrání lidské zdraví a životní prostředí.

Pro více informací o tom, kde můžete odložit svůj odpad k recyklaci, kontaktujte místní společnost pro sběr odpadu. Výrobci a dovozci nepřebírají odpovědnost za recyklaci, zpracování a ekologickou likvidaci, a to buď přímo, nebo prostřednictvím veřejného systému.





**Hendi B.V.**

Innovatielaan 6  
6745 XW De Klomp, The Netherlands  
**Tel:** +31 317 681 040  
**Email:** info@hendi.eu

**Hendi Polska Sp. z o.o.**

ul. Firmowa 12  
62-023 Robakowo, Poland  
**Tel:** +48 61 658 7000  
**Email:** info@hendi.pl

**Hendi Food Service Equipment GmbH**

Ehring 15  
5112 Lamprechtshausen, Austria  
**Tel:** +43 6274 200 10 0  
**Email:** office.austria@hendi.eu

**Hendi Food Service Equipment Romania S.R.L.**

Str. 13 decembrie 94A, Hala 14  
Braşov, 500164, Romania  
**Tel:** +40 268 320330  
**Email:** office@hendi.ro

**PKS Hendi South East Europe SA**

5 Metsovou Str.  
18346 Moschato, Athens, Greece  
**Tel:** +30 210 4839700  
**Email:** info@pks-hendi.com

**Hendi Italia S.R.L.**

Via Leonardo da Vinci 4  
39100 Bolzano (BZ), Italy  
**Tel:** +39 800 727 438  
**Email:** office.italy@hendi.eu

**Hendi HK Ltd.**

1208, 12/F Exchange Tower  
33 Wang Chiu Road, Kowloon Bay, Hong Kong  
**Tel:** +852 2154 2618  
**Email:** info-hk@hendi.eu

**Find Hendi on internet:**

[www.hendi.eu](http://www.hendi.eu)  
[www.facebook.com/HendiToolsforChefs](https://www.facebook.com/HendiToolsforChefs)  
[www.linkedin.com/company/hendi-food-service-equipment-b.v.](https://www.linkedin.com/company/hendi-food-service-equipment-b.v.)  
[www.youtube.com/HendiEquipment](https://www.youtube.com/HendiEquipment)

- Changes, printing and typesetting errors reserved.  
- Änderungen und Druckfehler vorbehalten.  
- Wijzigingen en drukfouten voorbehouden.  
- Producent zastrzega sobie prawo do zmian oraz błędów drukarskich w instrukcji.  
- Variations et fautes d'impression réservés.

- Errori di cambiamenti, di stampa e di impaginazione riservati.  
- Drepturi rezervate cu privire la modificări și greșeli de imprimare.  
- Изменения, печати и верстки ошибки защищены.  
- Με επιφύλαξη αλλαγών, λαθών εκτύπωσης και στοιχειοθεσίας.  
- Změny, chyby tisku a sazby vyhrazeny.